

iBoard®

iBoard® by APS

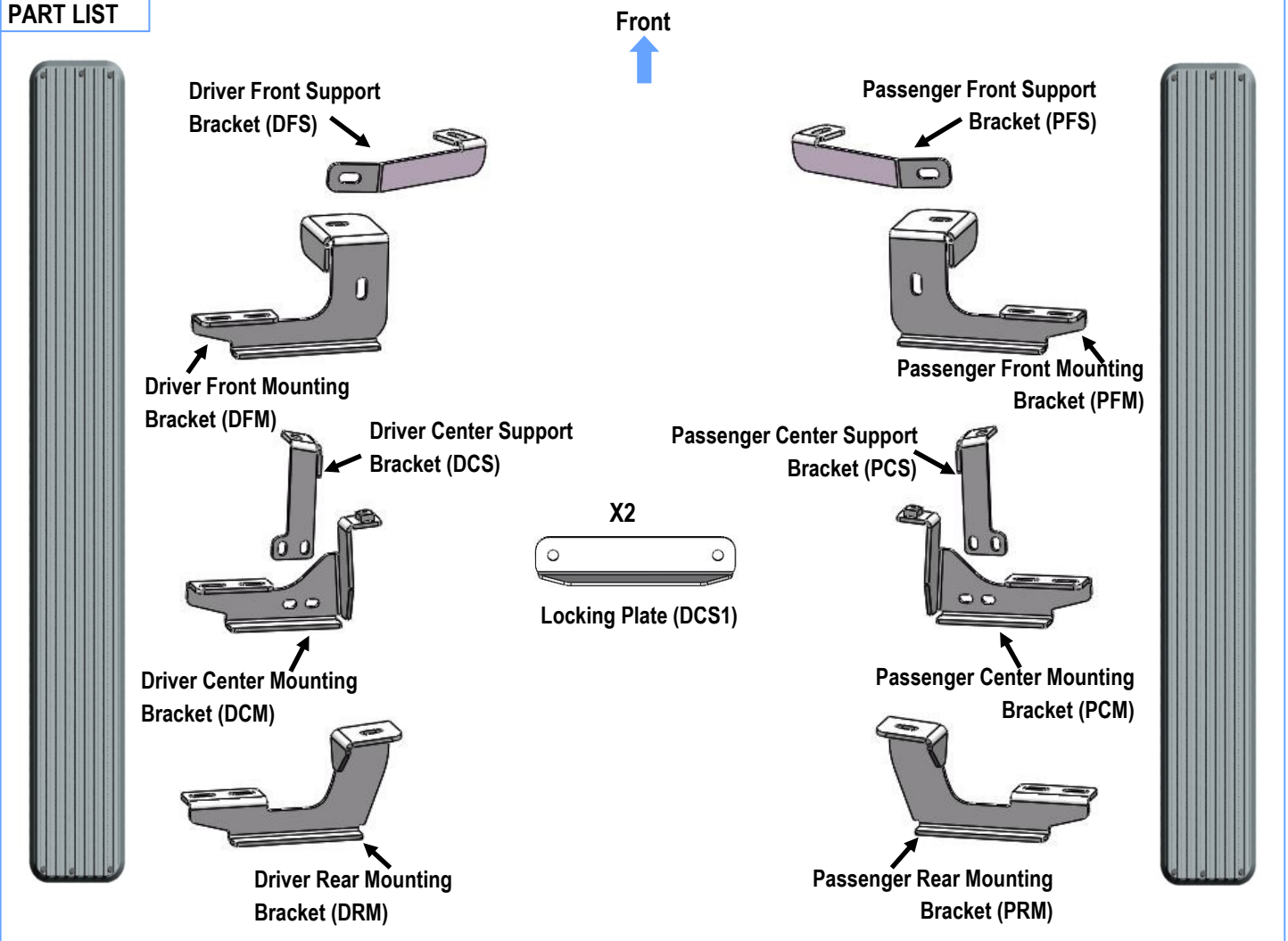
PART#: IB-191

READ INSTRUCTIONS CAREFULLY BEFORE STARTING INSTALLATION. REMOVE CONTENTS FROM BOX AND VERIFY ALL PARTS ARE PRESENT. ASSISTANCE IS RECOMMENDED.

*BODY FRAME MOUNT
*NO DRILLING REQUIRED

Fastener Size	Tightening Torque (ft-lbs)	Required
6mm	6-7	√
8mm	16-18	√
10mm	31-32	√
12mm	56-58	X
14mm	92-94	X

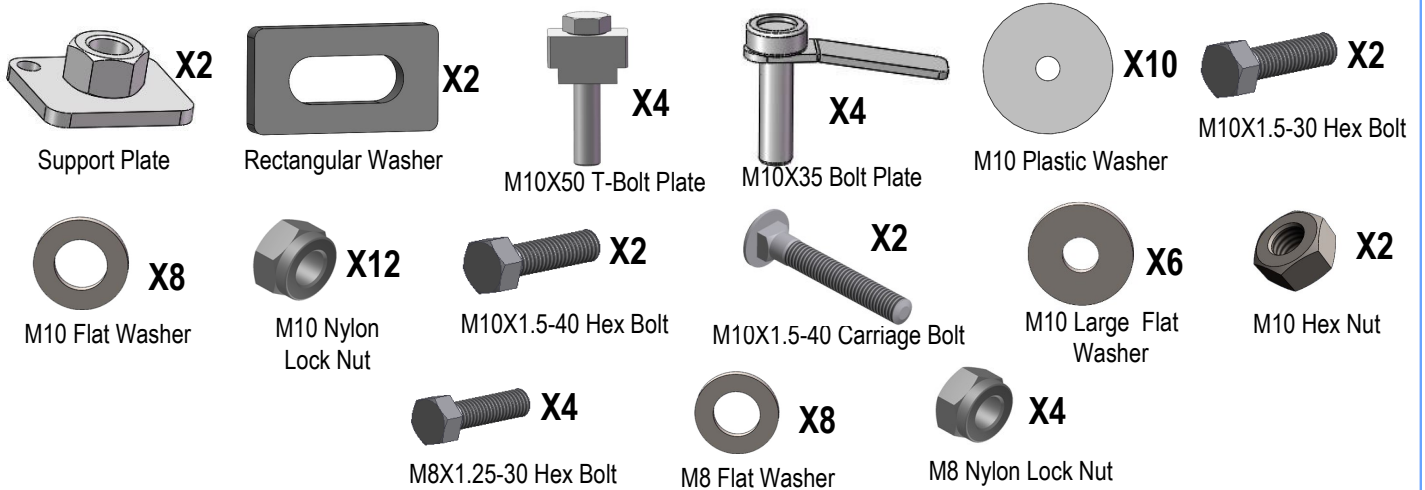
PART LIST



Customer Support: info@iboardauto.com

iBoard®

Hardware Package A (For Bracket Installation)



Hardware Package B (For Aluminum Step Bar Installation Only, Not Supply to Stainless Steel Step Bar)

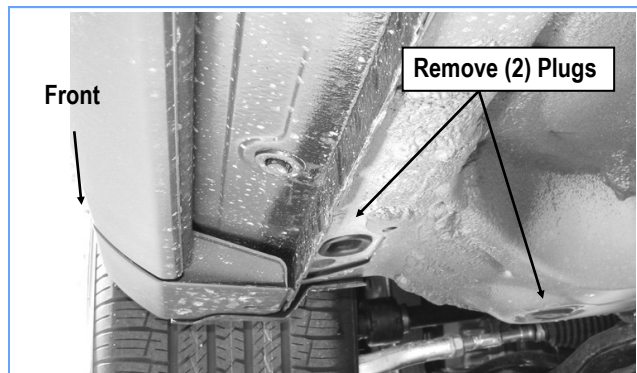


Hardware Package C (For Stainless Steel Step Bar Installation Only, Not Supply to Aluminum Step Bar)



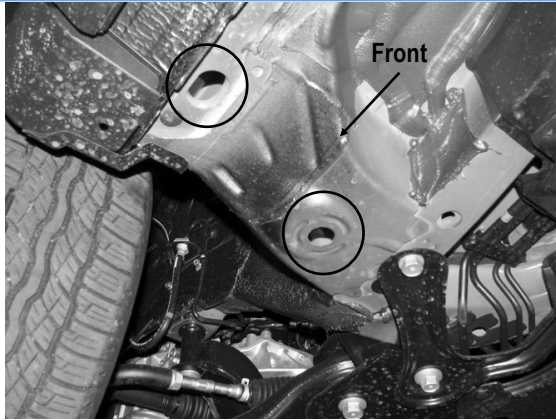
STEP 1

Start installation from the driver side front of the vehicle. Locate and remove the factory oval rubber plug and the (2) round rubber plugs in the bottom of the floor panel located closest to the front tire opening, (Figs 1 & 2).



(Fig 1) Driver Side Front Mounting Location

iBoard®



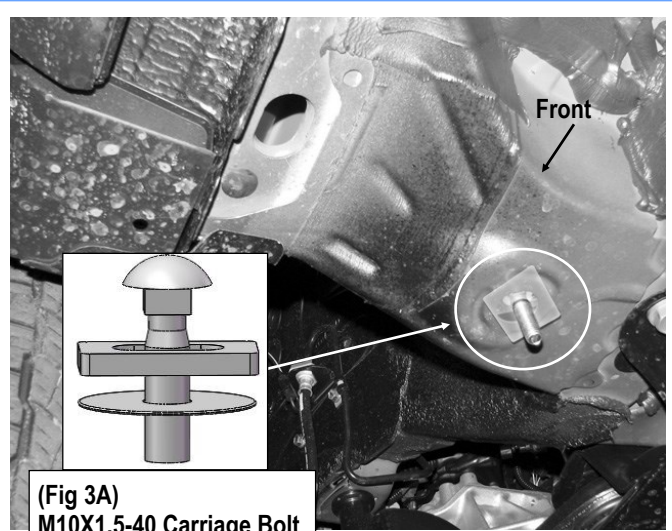
(Fig 2) Driver Side Front Mounting Location

STEP 2

Select (1) M10X1.5-40 Carriage Bolt, (1) Rectangular Washer and (1) M10 Plastic Washer, (Fig 3A). Slide the Rectangular Washer onto and over the square shoulder on the Carriage Bolt. Thread the M10 Plastic Washer part way onto the Bolt. **NOTE:** The M10 Plastic Washer is designed to help hold the Bolt in place during Bracket installation. Insert the Carriage Bolt with Rectangular Washer and Plastic Washer into the inner round hole in the floor panel. Line up the Carriage Bolt with the center of the hole and the Rectangular Washer across the hole. Pull the Carriage Bolt down through the slot in the Washer. Thread the Plastic Washer down tight against the floor panel, (Fig 3B).

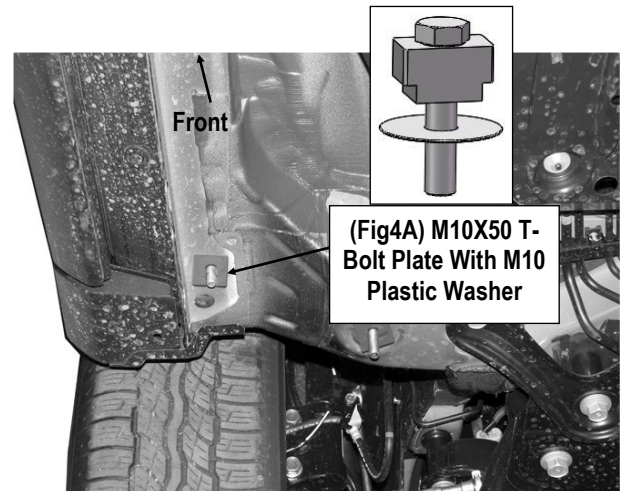
STEP 3

Select (1) M10X50 T-Bolt Plate and (1) M10 Plastic Washer, (Fig 4A). Insert the T-Bolt up into the oval hole and rotate it 90-degrees so that the block is across the oval hole. Thread the Plastic Washer onto the T-Bolt and tight against the floor panel, (Fig 4B).



(Fig 3A)
M10X1.5-40 Carriage Bolt
Rectangular Washer
M10 Plastic Washer

(Fig 3B) Insert the M10X1.5-40 Carriage Bolt



(Fig4A) M10X50 T-
Bolt Plate With M10
Plastic Washer

(Fig 4B) Insert the M10X50 T-Bolt Plate

STEP 4

Select (1) Driver Front Mounting Bracket (DFM) and (1) Driver Front Support Bracket (DFS). Assembly with (1) M10X1.5-30 Hex Bolt, (2) M10 Flat Washers and (1) M10 Nylon Lock Nut, (Fig 5). Do not fully tighten hardware at this time.

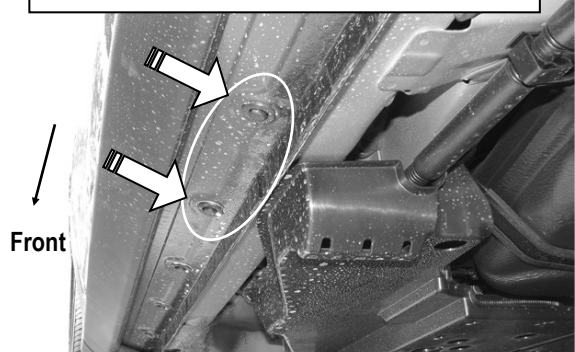
iBoard®

STEP 6

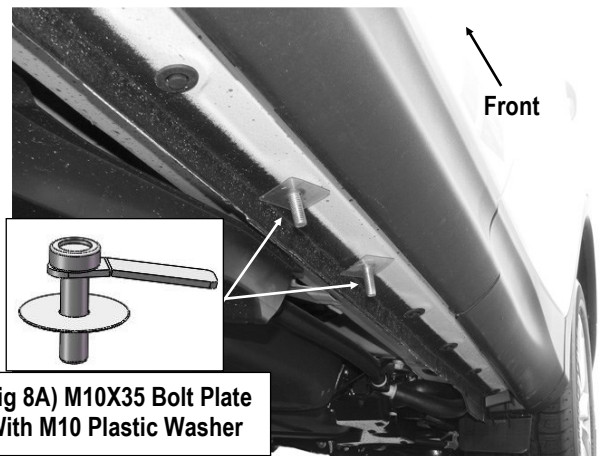
Move along the side of the vehicle to the center location below where the front and rear doors meet. Locate the 4th and 5th hole in the floor panel from the front wheel opening, (Fig 7). Remove the (2) rubber plugs. Select (2) M10X35 Bolt Plates and (2) M10 Plastic Washers. Insert (1) M10X35 Bolt Plate with (1) M10 Plastic Washer into the first and second round hole in the floor panel next to the pinch weld, (Figs 8A & 8B). **IMPORTANT:** Install the Bolt Plates with the "Plates" pointing toward each other, (see Fig 8C).

Attach (1) Locking Plate to the (2) Bolt Plates with (1) M10 Large Flat Washer and (1) M10 Nylon Lock Nut, (Fig 9). Do not fully tighten hardware.

Locate the 4th and 5th rubber plugs along the floor panel back from the front fender opening

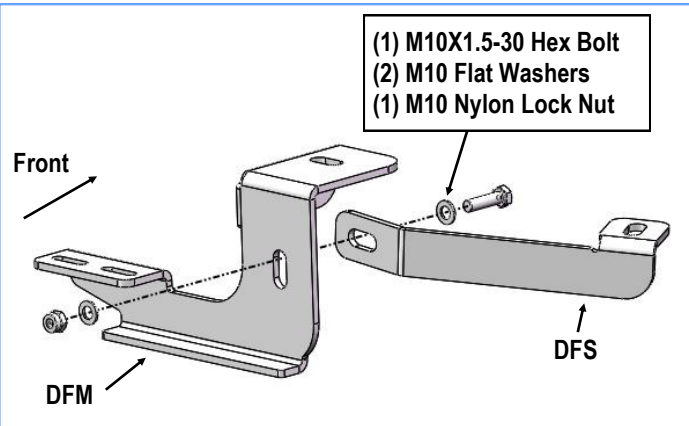


(Fig 7) Driver Side Center Mounting Location



(Fig 8A) M10X35 Bolt Plate With M10 Plastic Washer

(Fig 8B) Insert the M10X35 Bolt Plate

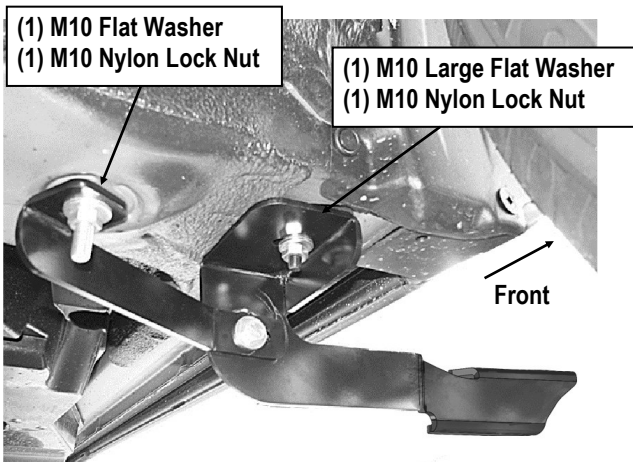


(Fig 5) Driver Side Front Bracket Assembly

STEP 5

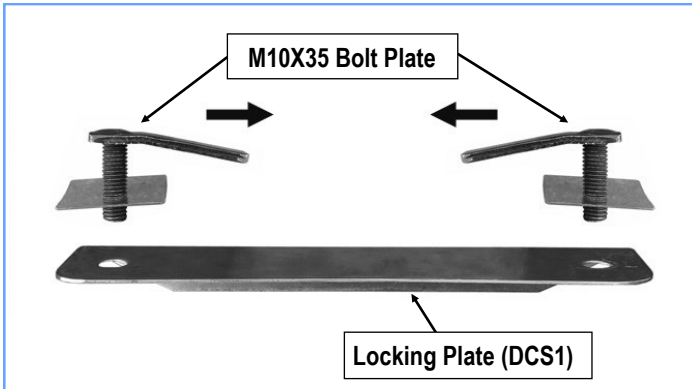
Secure the Driver Front Mounting Bracket (DFM) to the installed M10X50 T-Bolt Plate with (1) M10 Large Flat Washer and (1) M10 Nylon Lock Nut, (Fig 6). Do not fully tighten hardware at this time.

Slide the Driver Front Support Bracket (DFS) onto the M10X1.5-40 Carriage Bolt with (1) M10 Flat Washer and (1) M10 Nylon Lock Nut, (Fig 6). Do not fully tighten hardware at this time.

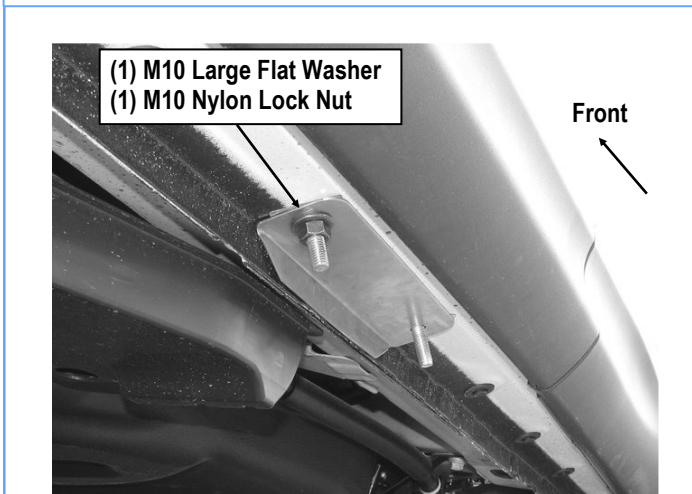


(Fig 6) Driver Side Front Mounting Bracket Installation

iBoard®



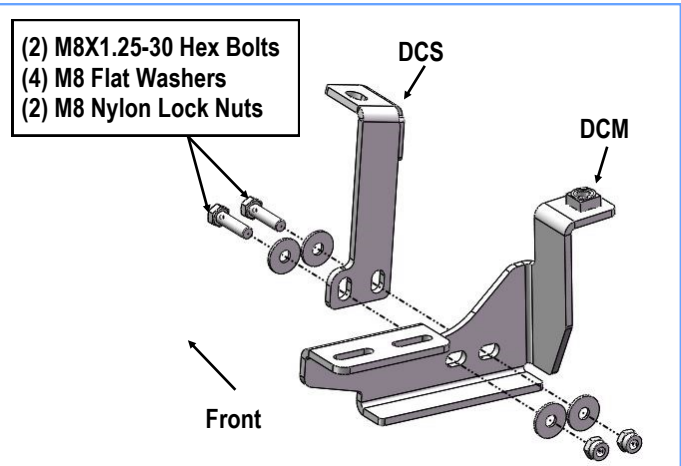
(Fig 8C) Install Bolt Plates With Plates Pointing Towards Each Other



(Fig 9) Locking Plate (DCS1) Installation (Driver Center Side)

STEP 7

Select (1) Driver Center Mounting Bracket (**DCM**) and (1) Driver Center Support Bracket (**DCS**). Assembly with (2) M8X1.25-30 Hex Bolts, (4) M8 Flat Washers and (2) M8 Nylon Lock Nuts, (Fig 10). Do not fully tighten hardware at this time.



(Fig 10) Driver Side Center Bracket Assembly

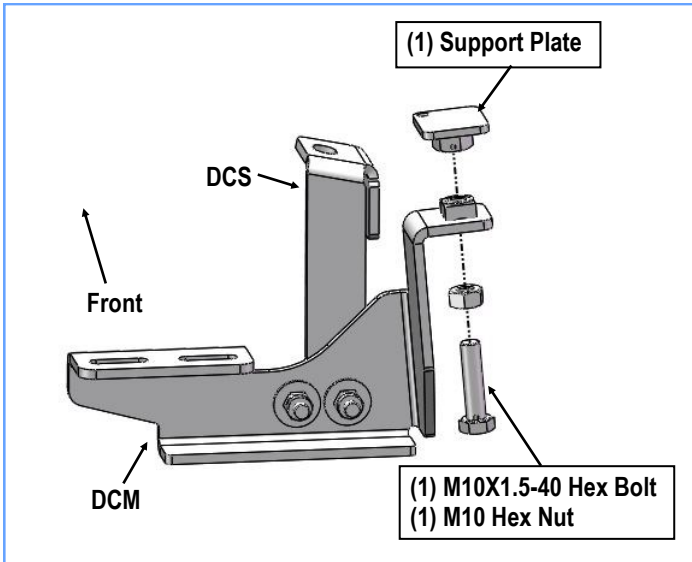
STEP 8

Select (1) Driver Center Mounting Bracket (**DCM**), (1) M10X1.5-40 Hex Bolt, (1) Support Plate and (1) M10 Hex Nut. Thread the M10 Hex Nut all the way down the M10X1.5-40 Hex Bolt. Insert the Hex Bolt with Nut up and into the welded nut on the tab on the Center Bracket, (Fig 11). **NOTE:** Thread the Bolt in until a few threads are sticking out of the welded nut. Do not thread the hex bolt all the way into the welded nut. Place (1) Support Plate onto the threaded end of the M10X1.5-40 Hex Bolt, (Fig 11). Continue to thread the Hex Bolt in until the Support Plate is close to but not touching the bottom of the body panel.

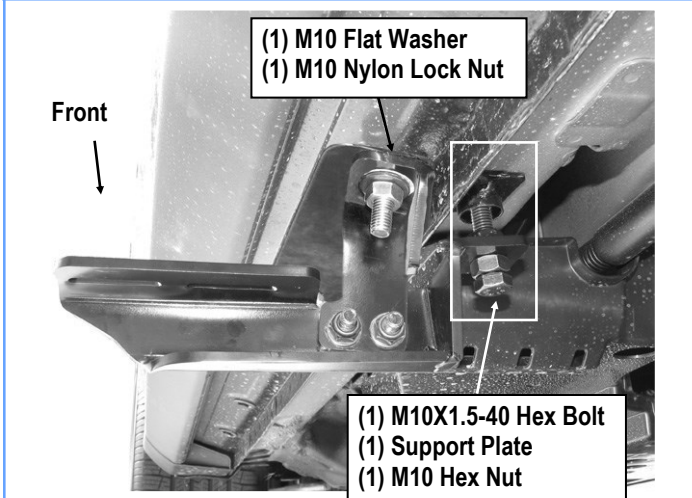
IMPORTANT: Do not tighten the hardware on the Center Brackets until the **final Steps**, (see Step 15).

Select (1) Driver Center Support Bracket (**DCS**), hang the Center Support Bracket onto the M10x35 Bolt Plate and over the Lock Plate secure with (1) M10 Flat Washer and (1) M10 Nylon Lock Nut, (Fig 12). Do not fully tighten hardware at this time.

iBoard®



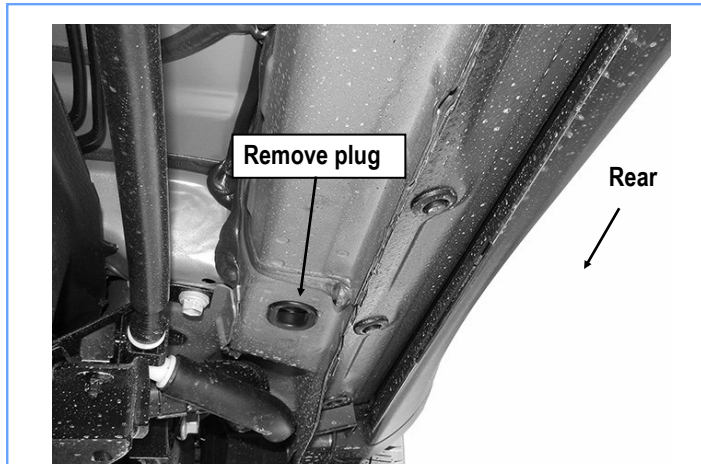
(Fig 11) Driver Side Center Mounting Bracket Installation



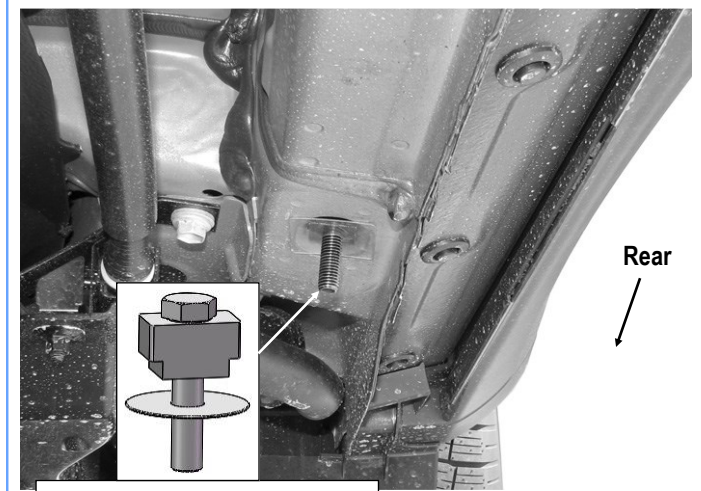
(Fig 12) Driver Side Center Mounting Bracket Installation

STEP 9

Move to the rear of the vehicle, (Fig 13). Remove the oval rubber plug. Select (1) M10X50 T-Bolt Plate with (1) M10 Plastic Washer, (Fig 14A). Insert the T-Bolt up into the oval hole and rotate 90-degrees so that the block is across the oval hole. Thread the Plastic Retainer onto the T-Bolt and tight against the floor panel as described in Step 3, (Fig 14B).



(Fig 13) Driver Side Rear Mounting Location



(Fig 14A) M10X50 T-Bolt Plate With M10 Plastic Washer

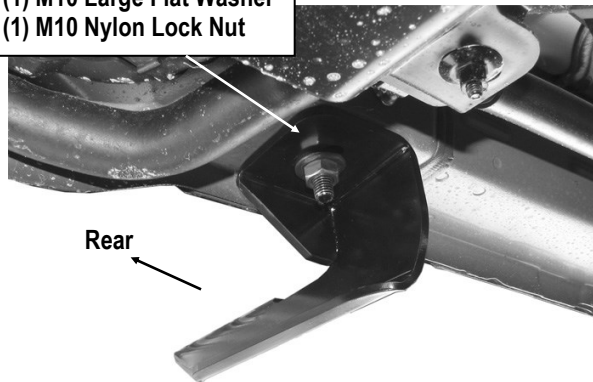
(Fig 14B) Insert the M10X50 T-Bolt Plate (Driver Rear Side)

STEP 10

Select the Driver Rear Mounting Bracket (DRM). Hang the Rear Bracket from the T-Bolt with (1) M10 Large Flat Washer and (1) M10 Nylon Lock Nut, (Fig 15). Do not fully tighten hardware.

iBoard®

- (1) M10 Large Flat Washer
- (1) M10 Nylon Lock Nut



(Fig 15) Driver Side Rear Mounting Bracket Installation

STEP 11

Once all (3) mounting brackets are installed, then proceed to the Step Bar installation. According to the style of Step Bar proceed to the correct installation STEPS.

Note: Aluminum Step Bar refer to STEP 12; Stainless Steel Step Bar skip to STEP 13.

STEP 12

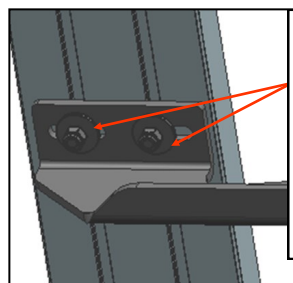
Aluminum Step Bar Installation:

Select a **Aluminum Step Bar**. Slip (3) M6x1-20 Square Head Bolts into each bottom channel (Fig 16). Carefully position the Step Bar onto the (3) Mounting Brackets.

IMPORTANT: Do not slide the Step Bar on the Brackets or the bottom surface of the board will be damaged. Attach the Step Bar to each Mounting Brackets with (2) M6x1-20 Square Head Bolts, (2) M6 Large Flat Washers and (2) M6 Nylon Lock Nuts, (Fig 17). Do not fully tighten at this time.



(Fig 16) Slip M6X1-20 Square Head Bolts Into The Bottom Channels



- (2) M6X1-20 Square Head Bolts
 - (2) M6 Large Flat Washers
 - (2) M6X1 Nylon Lock Nuts
- IMPORTANT: TORQUE FOR 6MM FASTNERS MUST LESS THAN 6-7 FT-LBS OR THE FASTNERS WILL BE DAMAGED!**

(Fig 17) Running Board Installed Onto Mounting Bracket

STEP 13

Stainless Steel Step Bar Installation:

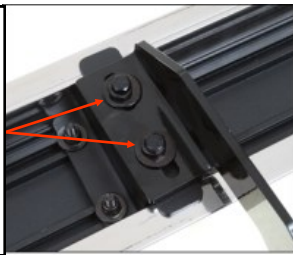
Select a **Stainless Steel Step Bar** (with the U-Sliders installed on the Bar). Loose the U-Sliders, reposition the U-Sliders onto the board according to the (3) Installed Mounting Brackets location, (Fig 18). Re-secure the U-Sliders on the Step Bar. Attach the Step Bar to the installed Mounting Brackets with (6) M6X1-20 Hex Bolts, (6) M6 Large Flat Washers & (6) M6 Lock Washers, (Fig 19). Do not fully tighten hardware at this time.



(Fig 18) Slide & line up the U-Slider with the installed mounting brackets along bottom channel

iBoard®

- (2) M6X1-20 Hex Bolts
 - (2) M6 Large Flat Washers
 - (2) M6 Lock Washers
- IMPORTANT: TORQUE FOR 6MM FASTENERS MUST LESS THAN 6-7 FT-LBS OR THE FASTNERS WILL BE DAMAGED!**



(Fig 19) Step Bar Installed on Bracket Installed (Example)

STEP 14

Check to see if the Running Board is level to the car, front to rear, not level to the ground. Adjust the Brackets in or out as necessary to line up the Running Board with the side of the vehicle. Move to the rear Bracket and once aligned, tighten the M10 Nylon Lock Nut on the T-Bolt, (Fig 15).

STEP 15

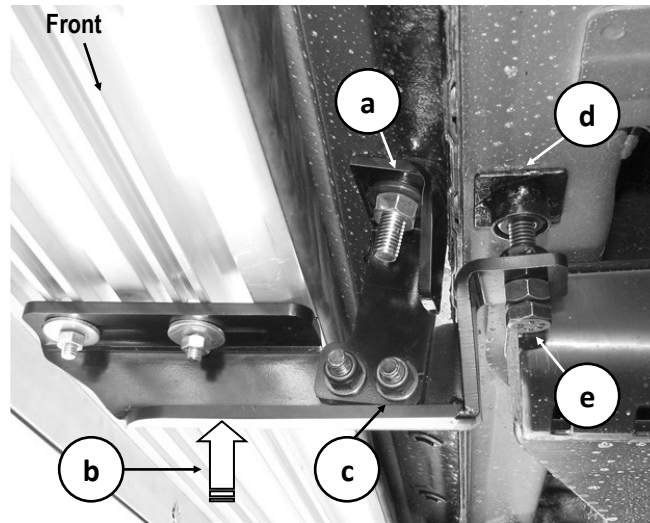
Next, move to the front Bracket. Tighten the T-Bolt and Bolt Plate hardware only, (Figs 3A & 4A). Adjust the height of the front Bracket as necessary. Once properly adjusted, tighten the M10 Hex Bolt securing the Support Bracket to the front Mounting Bracket, (Fig 6).

STEP 16

With the front and rear Brackets fully tightened to the vehicle, move to the Center Bracket, (Fig 20).

- Fully tighten the M10 Nylon Lock Nut securing the Support Bracket to the Bolt Plate.
- Gently push the Mounting Bracket up against and level to the bottom of the Running Board.
- Tighten the (2) M8 Hex Bolts.

- Slowly tighten the M10X1.5-40 Hex Bolt until the Support Plate is snug against the bottom of the body panel.
- Turn the Hex Bolt (2) full turns tighter to add preload. Tighten the M10 Nylon Lock Nut to lock the Bolt in place.



(Fig 20) Driver Side Center Mounting Bracket Pictured

STEP 17

Level and adjust the Running Board and fully tighten all hardware.

Repeat **Steps 1-17** for other side Running Board installation. **The installation is completed.**

Attention

Do periodic inspections to the installation to make sure that all hardware is secure and tight.

In order to protect your bars/boards, please use only mild soap/non-abrasive products for cleaning.