

iBoard®



Scan for
Installation Video

iBoard® by APS

PART#: IB-057C&H

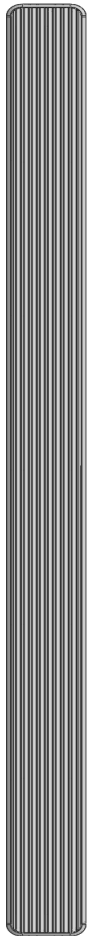
READ INSTRUCTIONS CAREFULLY BEFORE STARTING INSTALLATION. REMOVE CONTENTS FROM BOX AND VERIFY ALL PARTS ARE PRESENT. ASSISTANCE IS RECOMMENDED.

*ROCKER PANEL MOUNT
*NO DRILLING REQUIRED

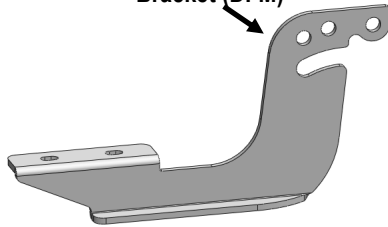
Fastener Size	Tightening Torque (ft-lbs)	Required
6mm	6-7	X
8mm	16-18	√
10mm	31-32	√
12mm	56-58	X
14mm	92-94	X

PART LIST

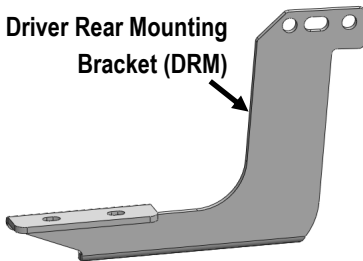
Driver Side Step Bar



Driver Front Mounting Bracket (DFM)



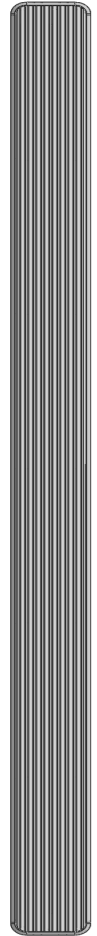
Driver Rear Mounting Bracket (DRM)



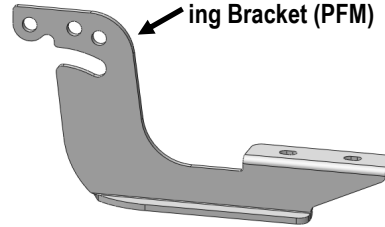
Front



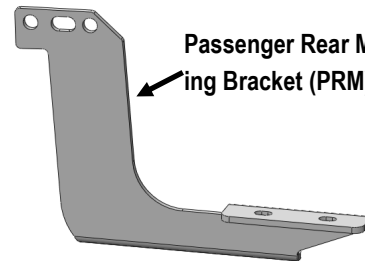
Passenger Side Step Bar



Passenger Front Mounting Bracket (PFM)



Passenger Rear Mounting Bracket (PRM)



Customer Support: info@iboardauto.com



Hardware Package A (For Bracket Installation)

Item	QTY	Description	Item	QTY	Description
1#	4	M10X1.5-25mm Hex Bolts	5#	8	M8X1.25-25mm Hex Bolts
2#	8	M10 Flat Washers	6#	16	M8 Large Flat Washers
3#	4	M10 Lock Washers	7#	8	M8 Lock Washers
4#	4	M10 Hex Nuts	8#	8	M8 Hex Nuts



1#



2#



3#



4#



5#



6#



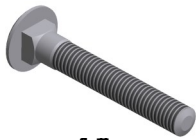
7#



8#

Hardware Package B (For Stainless Steel Step Bar Installation)

Item	QTY	Description	Item	QTY	Description
1#	8	M8X1.25-35mm Carriage Bolts	3#	8	M8 Nylon Lock Nuts
2#	8	M8 Large Flat Washers	4#	4	Sliders (Packed with Step Bars)



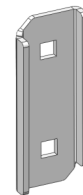
1 #



2 #



3 #



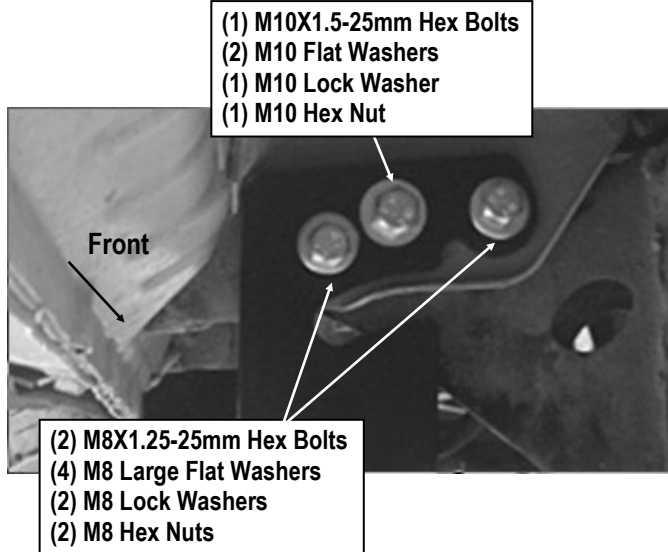
4 #



STEP 1

Start installation from the driver side front of the vehicle, locate the (3) mounting holes in the body support.

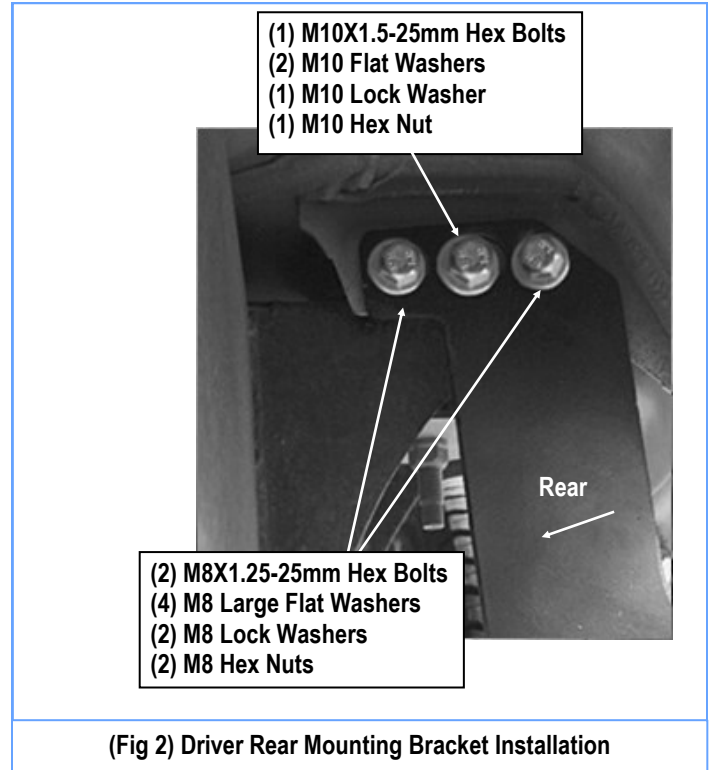
Partially attach a Driver Front Mounting Bracket (**DFM**) to the center mounting hole in the vehicle using (1) M10X1.5-25mm Hex Bolt, (2) M10 Flat Washers, (1) M10 Lock Washer and (1) M10 Hex Nut. Use the included (2) M8X1.25-25mm Hex Bolts, (2) M8 Lock Washers, (4) M8 Large Flat Washers and (2) M8 Hex Nuts in the remaining inner and outer mounting holes, (**Fig 1**). Do not fully tighten hardware at this time.



(Fig 1) Driver Front Mounting Bracket Installation

STEP 2

Move to the driver side rear of the vehicle. Repeat **Step 1** to install the Driver Rear Mounting Bracket (**DRM**), (**Fig 2**).



(Fig 2) Driver Rear Mounting Bracket Installation

STEP 3

Once all (2) Driver side mounting brackets are installed, then proceed to the Step Bar installation. (**Figs 3 & 4**)

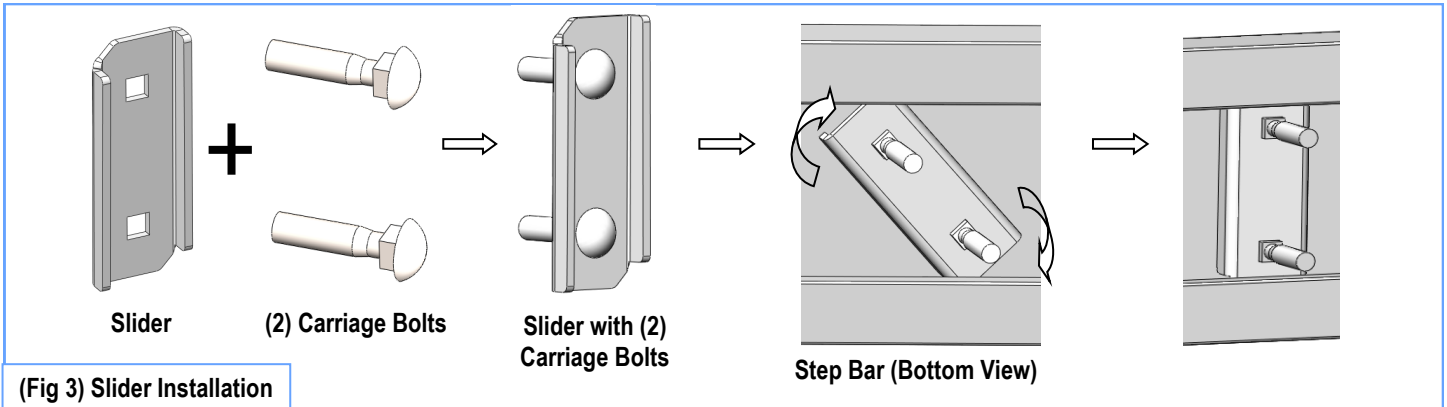
- (1) Select (1) Slider and (2) M8X1.25-35mm Carriage Bolts;
- (2) Install (2) M8X1.25-35mm Carriage Bolts in (1) Slider.
- (3) Slide the Slider (with carriage bolts) to the **Step Bar**.
- (4) Repeat to install the other (1) slider to the step bar.

(5) Attach the Step Bar (with the Sliders) onto the installed mounting brackets. Position the Sliders to the installed brackets. Secure the Step Bar to the installed Brackets by using (4) M8 Large Flat Washers and (4) M8 Nylon Lock Nuts and (2) Sliders, (**Fig 4**). Do not fully tighten hardware at this time.

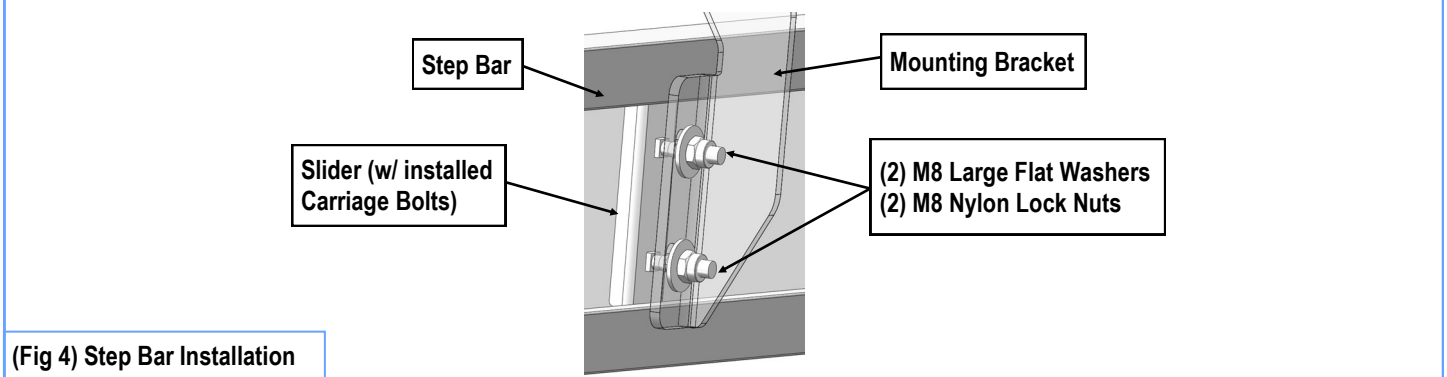
Note: The Sliders are packed with the Step Bars.

Level and adjust the Step Bar and fully tighten all hardware.

Repeat **Steps 1-3** for the other side Step Bar installation. **The installation is completed!!!**



(Fig 3) Slider Installation



(Fig 4) Step Bar Installation

Attention

Do periodic inspections to the installation to make sure that all hardware is secure and tight.
In order to protect your bars/boards, please use mild soap/non-abrasive products for cleaning only.