

iBoard®



Scan for
Installation Video

iBoard® by APS

PART#: IB-298C&H

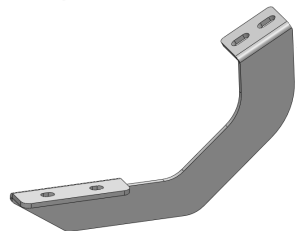
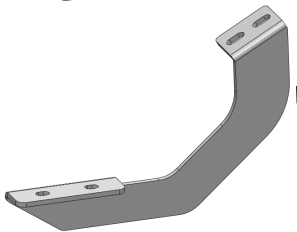
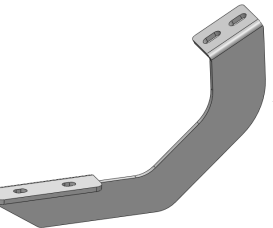
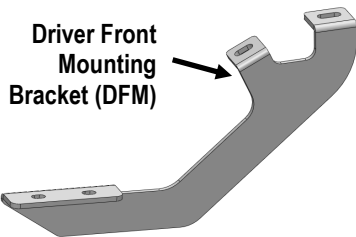
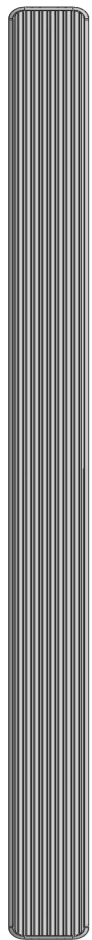
READ INSTRUCTIONS CAREFULLY BEFORE STARTING INSTALLATION. REMOVE CONTENTS FROM BOX AND VERIFY ALL PARTS ARE PRESENT. ASSISTANCE IS RECOMMENDED.

*ROCKER PANEL MOUNT
*NO DRILLING REQUIRED

Fastener Size	Tightening Torque (ft-lbs)	Required
6mm	6-7	X
8mm	16-18	√
10mm	31-32	X
12mm	56-58	X
14mm	92-94	X

PART LIST

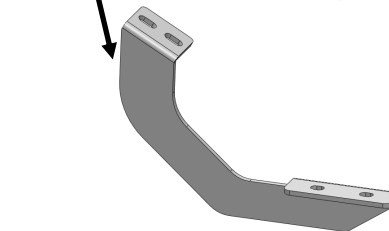
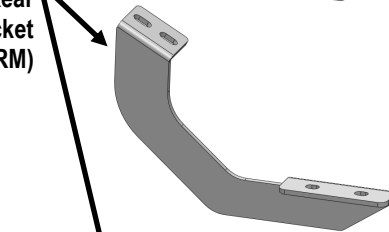
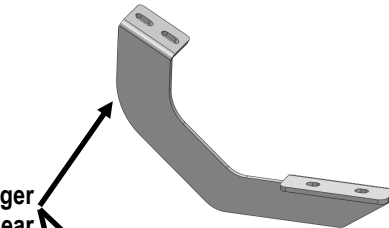
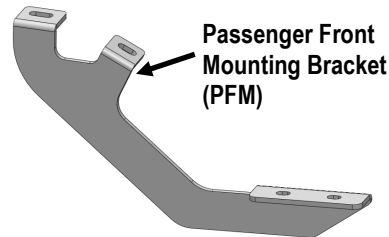
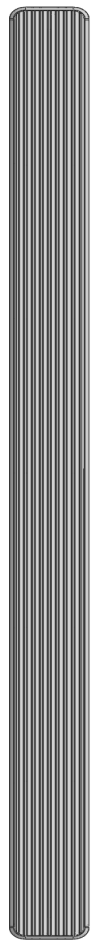
Driver Side Step Bar



Front



Passenger Side Step Bar

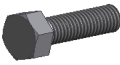


Customer Support: info@iboardauto.com




Hardware Package A (For Bucket Installation)


Item	QTY	Description	Item	QTY	Description
1#	16	M8X1.25-30mm Hex Bolts	3#	16	M8 Lock Washers
2#	16	M8 Large Flat Washers			



1#



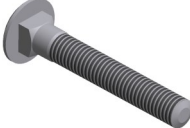
2#




3#

Hardware Package B (For Stainless Steel Step Bar Installation)


Item	QTY	Description	Item	QTY	Description
1#	16	M8X1.25-35mm Carriage Bolts	3#	16	M8 Nylon Lock Nuts
2#	16	M8 Large Flat Washers	4#	8	Sliders (Packed with Step Bars)



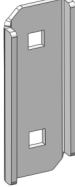
1 #



2 #



3 #

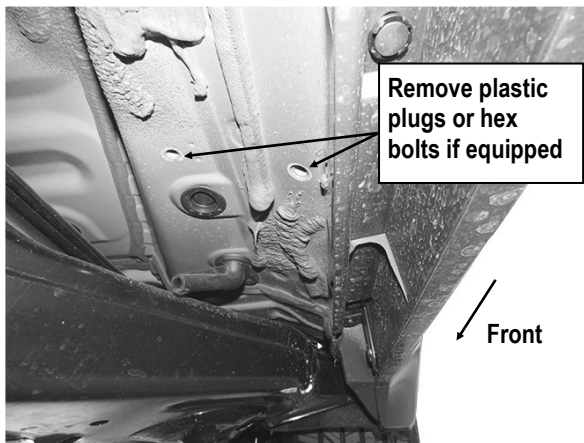


4 #



STEP 1

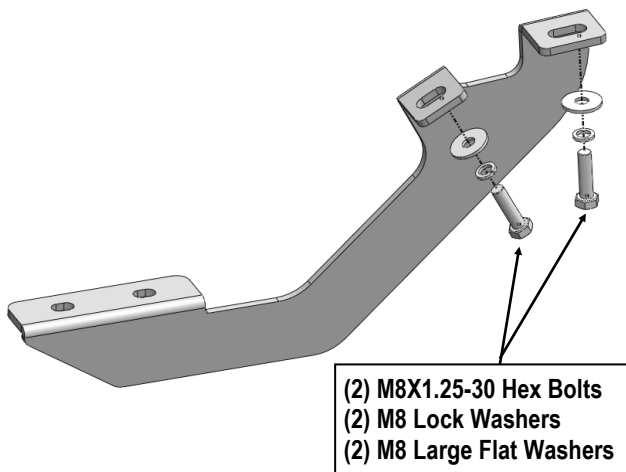
Start installing on the passenger side front of the vehicle. Remove the plastic plugs or hex bolts from the mounting location if equipped, (Fig 1).



(Fig 1) Passenger Side Front Mounting Location

STEP 2

Select the Passenger Front Mounting Bracket (PFM). Attach the Bracket to the mounting location with (2) M8X1.25-30 Hex Bolts, (2) M8 Lock Washers and (2) M8 Large Flat Washers, (Figs 2&3). Do not fully tighten at this time.



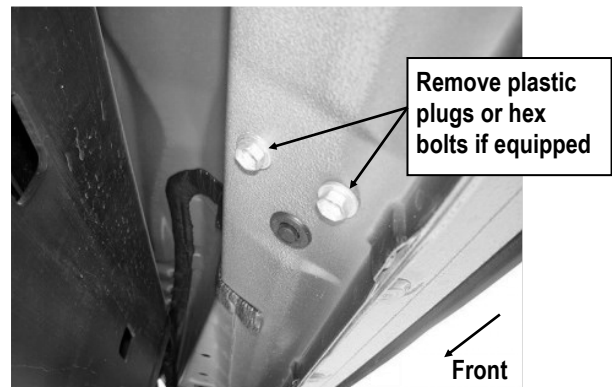
(Fig 2) Passenger Front Mounting Bracket Installation



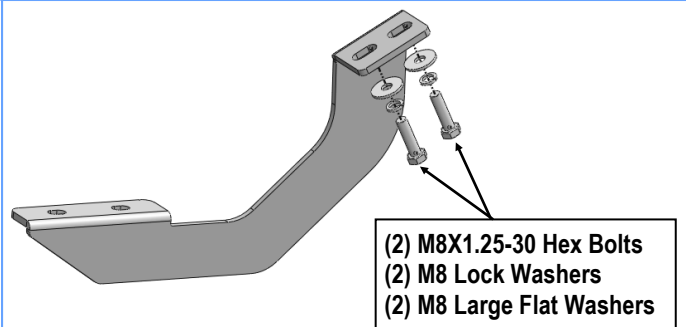
(Fig 3) Passenger Front Mounting Bracket Installed

STEP 3

Repeat Steps 1-2 to attach the (3) Passenger Center / Rear Mounting Brackets (PCM/PRM) to the mounting locations, (Fig 4&5). Do not fully tighten at this time.



(Fig 4) Passenger Side Center/ Rear Mounting Location



(Fig 5) Passenger Center/Rear Mounting Bracket Installation



STEP 4

Once all (4) Passenger side mounting brackets are installed, then proceed to the Step Bar installation. (Figs 6 & 7)

- (1) Select (1) Slider and (2) M8X1.25-35mm Carriage Bolts;
- (2) Install (2) M8X1.25-35mm Carriage Bolts in (1) Slider.
- (3) Slide the Slider (with carriage bolts) to the **Step Bar**.
- (4) Repeat to install the other (3) sliders to the step bar.
- (5) Attach the Step Bar (with the Sliders) onto the installed mounting brackets. Position the Sliders to the installed brackets. Secure the Step Bar to the installed Brackets by using (8) M8 Large Flat Washers and (8) M8 Nylon Lock Nuts and (4) Sliders, (Fig 7). Do not fully tighten hardware at this time.

Note: The Sliders are packed with the Step Bars.

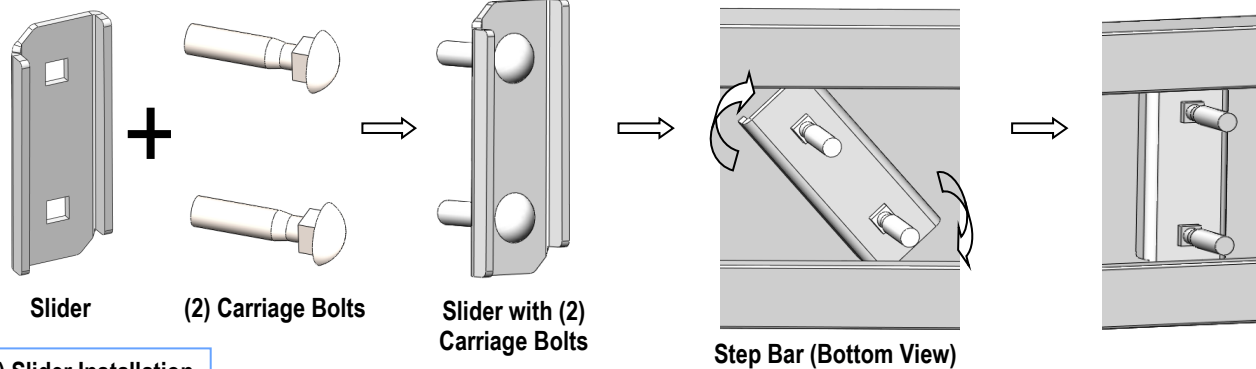
Level and adjust the Step Bar and fully tighten all hardware.

Repeat **Steps 1-4** for the other side Step Bar installation. **The installation is completed!!!**

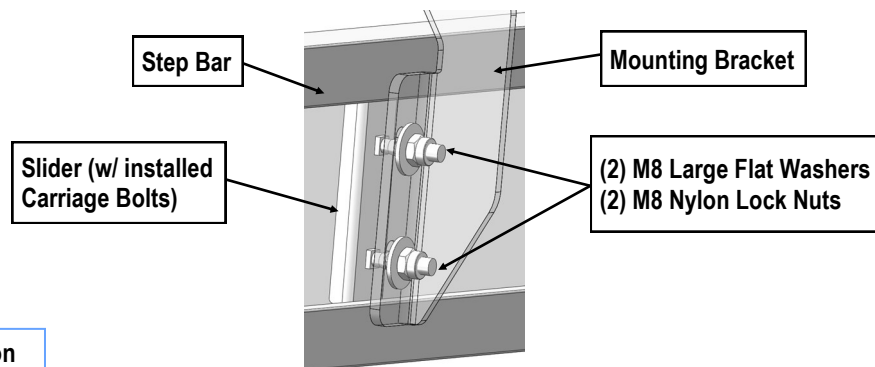
Attention

Do periodic inspections to the installation to make sure that all hardware is secure and tight.

In order to protect your bars/boards, please use mild soap/non-abrasive products for cleaning only.



(Fig 6) Slider Installation



(Fig 7) Step Bar Installation