

iBoard®

iBoard® by APS

PART#: IB-190A-B

READ INSTRUCTIONS CAREFULLY BEFORE STARTING INSTALLATION. REMOVE CONTENTS FROM BOX AND VERIFY ALL PARTS ARE PRESENT. ASSISTANCE IS RECOMMENDED.

*BODY FRAME MOUNT
*NO DRILLING REQUIRED

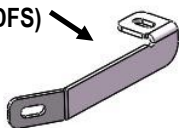
Fastener Size	Tightening Torque (ft-lbs)
6mm	6-7
8mm	16-18
10mm	31-32
12mm	56-58
14mm	92-94

PART LIST

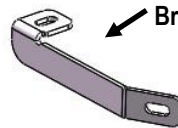
Front



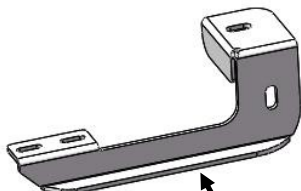
Driver Front Support
Bracket (DFS)



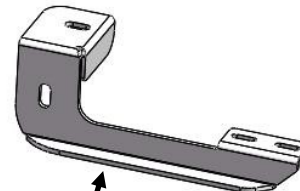
Passenger Front Support
Bracket (PFS)



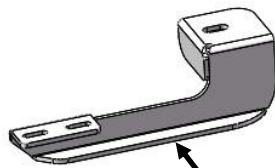
Driver Front Mounting
Bracket (DFM)



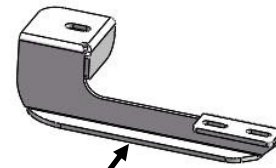
Passenger Front Mounting
Bracket (PFM)



Driver Rear Mounting
Bracket (DRM)



Passenger Rear Mounting
Bracket (PRM)

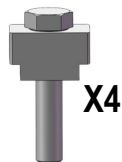


Customer Support: info@iboardauto.com

iBoard®



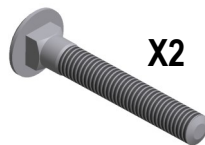
Rectangular Washer



M10 T Block Bolt



M10 Plastic Washer



M10X1.5-40mm Carriage Bolt



M10X1.5-35mm Hex Bolt



M10 Large Flat Washer



M10 Lock Washer



M10 Hex Nut



M6X1-20mm Square Head Bolt



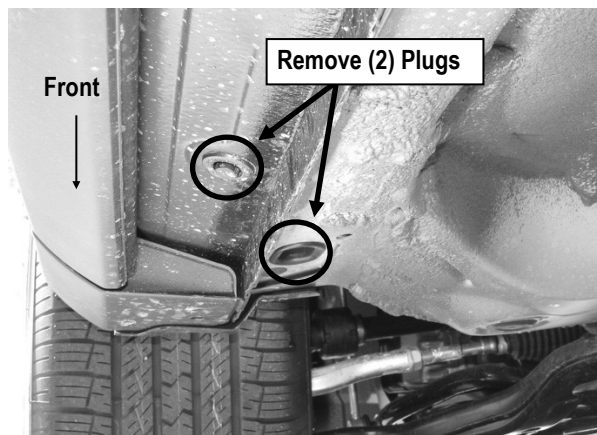
M6 Large Flat Washer



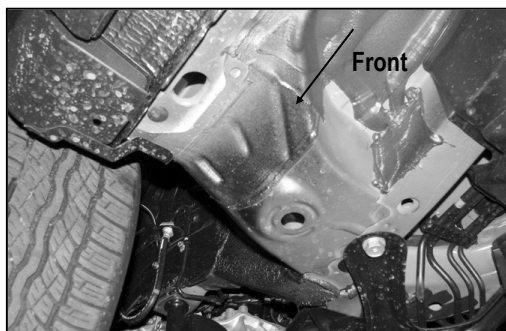
M6X1 Nylon Lock Nut

STEP 1

Start installation from the driver side front of the vehicle. Locate and remove the factory round and oval rubber plugs in the bottom of the body panel located closest to the front tire opening, (Figs 1 & 2).



(Fig 1) Driver Side Front Mounting Location Pictured

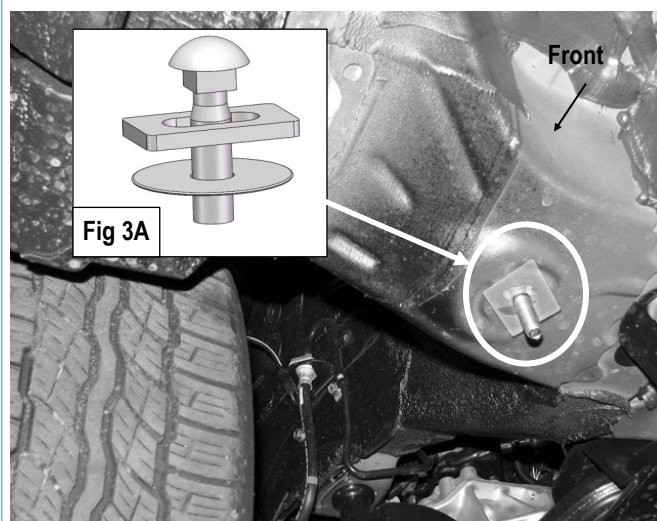


(Fig 2) Driver Side Front Mounting Location Pictured

STEP 2

Select (1) M10X1.5-40mm Carriage Bolt, (1) M10 Rectangular Washer and (1) M10 Plastic Washer, (Fig 3A). Slide the Rectangular Washer onto and over the square shoulder on the Carriage Bolt. Thread the Plastic Washer part way onto the Bolt. **NOTE:** The Plastic Washer is designed to help hold the Bolt in place during Bracket installation.

Insert the Carriage Bolt with Rectangular Washer and Plastic Washer into the inner round hole in the floor panel. Line up the Carriage Bolt with the center of the hole and the Rectangular Washer across the hole. Pull the Carriage Bolt down through the slot in the Washer. Thread the Plastic Washer down tight against the floor panel, (Fig 3B).

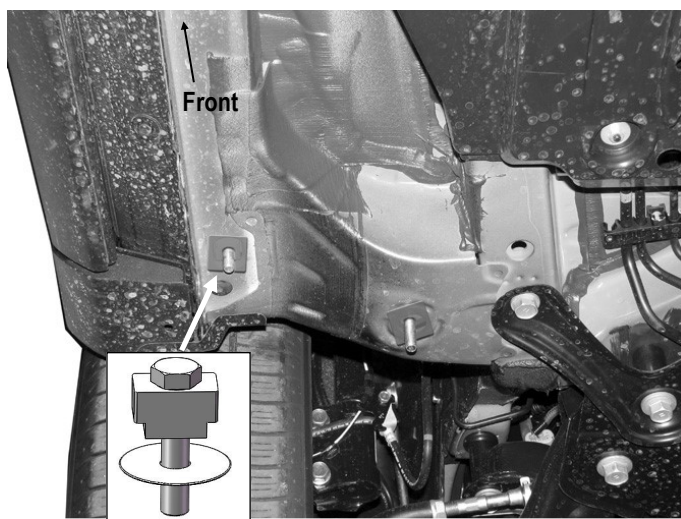


(Fig 3B) Insert M10X1.5-40mm Carriage Bolt

iBoard®

STEP 3

Select (1) M10 T Block Bolt and (1) M10 Plastic Washer. Insert the M10 T Block Bolt up into the oval hole and rotate it 90-degrees so that the block is across the oval hole. Thread the Plastic Washer onto the T Block Bolt and tight against the floor panel, (Fig 4).



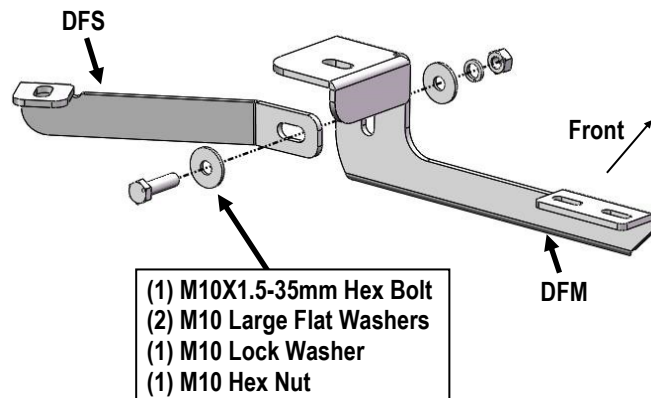
M10 T Block Bolt with
M10 Plastic Washer

(Fig 4) Insert M10 T Block Bolt

STEP 4

Assemble the Driver Front Support Bracket (DFS) and the Driver Front Mounting Bracket (DFM) with (1) M10X1.5-35mm Hex Bolt, (2) M10 Large Flat Washers, (1) M10 Lock Washer and (1) M10 Hex Nut, (Fig 5). Do not fully tighten at this time.

Next, attach the Driver Front Mounting Bracket (DFM) to the M10 T Block Bolt with (1) M10 Large Flat Washer, (1) M10 Lock Washer and (1) M10 Hex Nut, (Fig 6). Bolt the Support Bracket to the M10X1.5-40mm Carriage Bolt with (1) M10 Large Flat Washer, (1) M10 Lock Washer and (1) M10 Hex Nut, (Fig 6). Do not fully tighten the hardware at this time.



(Fig 5) Driver Side Front Brackets Assembly

- (1) M10X1.5-40 Carriage Bolt
- (1) M10 Rectangular Washer
- (1) M10 Plastic Washer
- (1) M10 Large Flat Washer
- (1) M10 Lock Washer
- (1) M10 Hex Nut

- (1) M10 T Block Bolt
- (1) M10 Plastic Washer
- (1) M10 Large Flat Washer
- (1) M10 Lock Washer
- (1) M10 Hex Nut

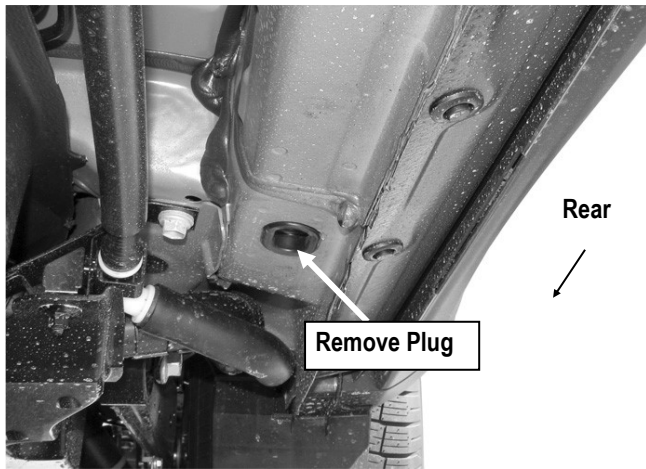


(Fig 6) Driver Side Front Mounting Bracket Installation

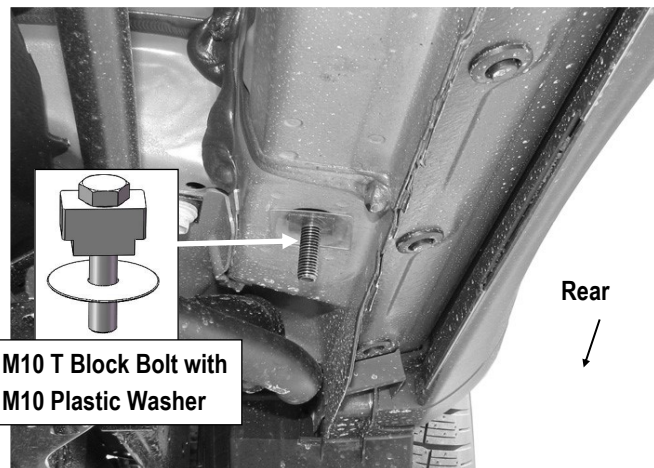
STEP 5

Move to the rear mounting location, (Fig 7). Remove the oval rubber plug. Select (1) M10 T Block Bolt and (1) M10 Plastic Washer. Insert the M10 T Block Bolt up into the oval hole and rotate 90-degrees so that the block is across the oval hole. Thread the Plastic Washer onto the T Block Bolt and tight against the floor panel as described in Step 2, (Fig 8).

iBoard®



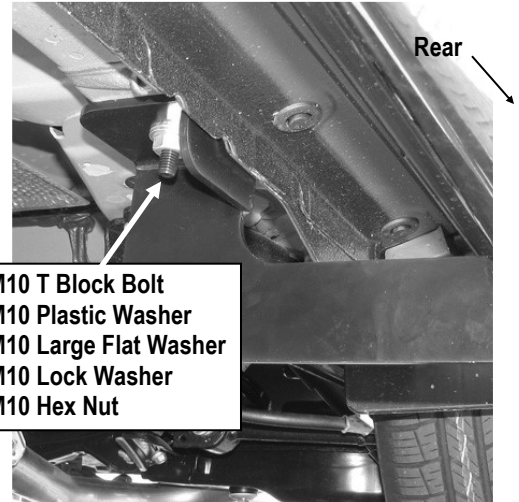
(Fig 7) Driver Side Rear Mounting Location



(Fig 8) Driver Side Rear Mounting Location

STEP 6

Select the Driver Rear Mounting Bracket (**DRM**). Hang the Rear Bracket from the M10 T Block Bolt with (1) M10 Large Flat Washer, (1) M10 Lock Washer and (1) M10 Hex Nut, (**Fig 9**). Do not fully tighten the hardware at this time.



(Fig 9) Driver Side Rear Mounting Bracket Installation

STEP 7

Select a Running Board. Slip (2) M6X1-20mm Square Head Bolts into each bottom channel (**Fig 10**). Carefully position the Running Board onto the (2) Mounting Brackets.

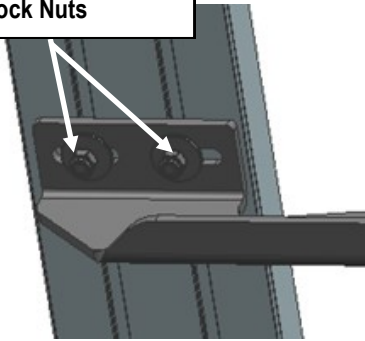
IMPORTANT: Do not slide the Running Board on the Brackets or the bottom surface of the board will be damaged. Attach the Running Board to each Mounting Bracket with (2) M6x1-20mm Square Head Bolts, (2) M6 Large Flat Washers and (2) M6 X1 Nylon Lock Nuts (**Fig 11**). Do not fully tighten at this time.



(Fig 10) Slip M6X1-20mm Square Head Bolts Into The Bottom Channels

iBoard®

- (2) M6X1-20mm Square Head Bolts
- (2) M6 Large Flat Washers
- (2) M6X1 Nylon Lock Nuts



(Fig 11) Running Board Installed Onto the Mounting Bracket

STEP 8

Level and adjust the Running Board and fully tighten all hardware.

STEP 9

Repeat **Steps 1-8** for other side Running Board installation. The installation is completed (**Fig 12**).



(Fig 12) Installation Completed

Attention

Do periodic inspections to the installation to make sure that all hardware is secure and tight.

In order to protect your bars/boards, please use only mild soap/non-abrasive products for cleaning.