

iBoard®

iBoard® by APS

PART#: IB-082

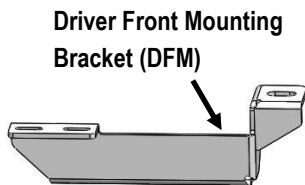
READ INSTRUCTIONS CAREFULLY BEFORE STARTING INSTALLATION. REMOVE CONTENTS FROM BOX AND VERIFY ALL PARTS ARE PRESENT. ASSISTANCE IS RECOMMENDED.

*BODY FRAME MOUNT
*NO DRILLING REQUIRED

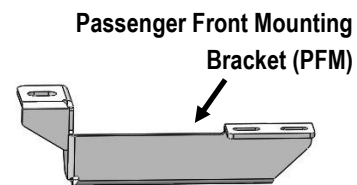
Fastener Size	Tightening Torque (ft-lbs)	Required
6mm	6-7	√
8mm	16-18	√
10mm	31-32	X
12mm	56-58	X
14mm	92-94	X

PART LIST

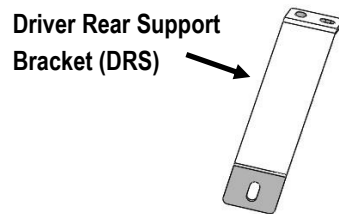
Front
↑



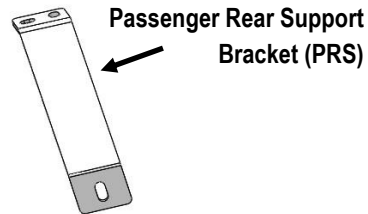
Driver Front Mounting Bracket (DFM)



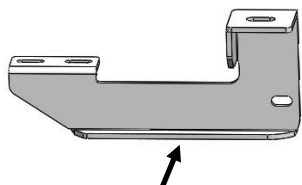
Passenger Front Mounting Bracket (PFM)



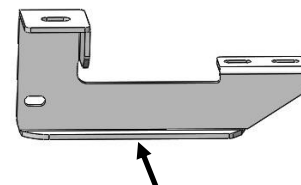
Driver Rear Support Bracket (DRS)



Passenger Rear Support Bracket (PRS)



Driver Rear Mounting Bracket (DRM)



Passenger Rear Mounting Bracket (PRM)

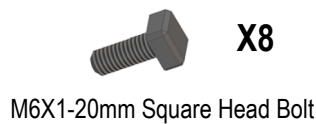
Customer Support: info@iboardauto.com

iBoard®

Hardware Package A (For Bracket Installation)



Hardware Package B (For Aluminum Step Bar Installation Only, Not Supply to Stainless Steel Step Bar)



Hardware Package C (For Stainless Steel Step Bar Installation Only, Not Supply to Aluminum Step Bar)

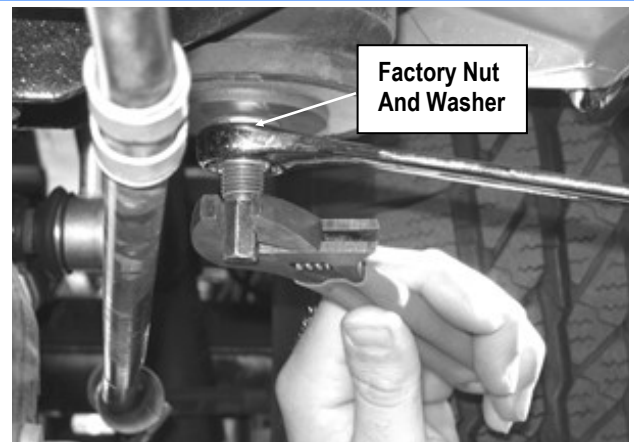


STEP 1

Start installation from the driver side front of the vehicle. Remove front body mount nut and washer located underside of vehicle. **NOTE:** Use a pair of pliers or a crescent wrench to hold the bolt as you loosen the nut, (Fig 1).

STEP 2

Loosely attach Driver Front Mounting Bracket (DFM) using the factory nut and washer. **NOTE:** Keep factory rubber bushing and other factory body mount components in place (Fig 1).



(Fig 1) Driver Front Mounting Bracket Installation

STEP 3

Move toward the rear of the vehicle. Repeat **Steps 1-2** to install the Driver Rear Mounting Bracket (DRM), (Fig 2).

iBoard®

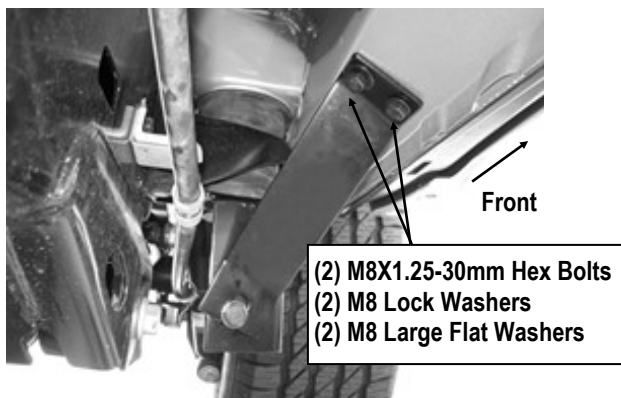


(Fig 2) Driver Rear Mounting Bracket Installation

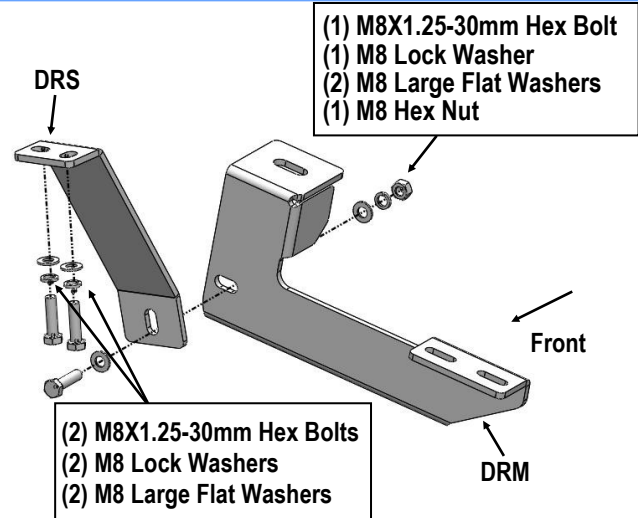
STEP 4

Locate the (2) factory threaded holes in the side panel by the rear body mounting location and attach the Driver Rear Support Bracket (**DRS**) to these factory holes using the included (2) M8X1.25-30mm Hex Bolts, (2) M8 Lock Washers, and (2) M8 Large Flat Washers, (**Fig 3**).

Attach opposite side of Driver Rear Support Bracket (**DRS**) to Driver Rear Mounting Bracket (**DFM**) using the included (1) M8X1.25-30mm Hex Bolt, (1) M8 Lock Washer, (1) M8X1.25 Hex Nut, and (2) M8 Large Flat Washers, (**Figs 3 & 4**). Do not fully tighten at this time.



(Fig 3) Driver Rear Support Bracket Installation



(Fig 4) Driver Rear Mounting Bracket Assembly

STEP 5

Once all (2) mounting brackets are installed, then proceed to the Step Bar installation. According to the style of Step Bar proceed to the correct installation STEPS.

Note: Aluminum Step Bar refer to **STEP 6**; Stainless Steel Step Bar skip to **STEP 7**.

STEP 6

Aluminum Step Bar Installation:

Select a **Aluminum Step Bar**. Slip (2) M6x1-20mm Square Head Bolts into each bottom channel (**Fig 5**). Carefully position the Step Bar onto the (2) Mounting Brackets.

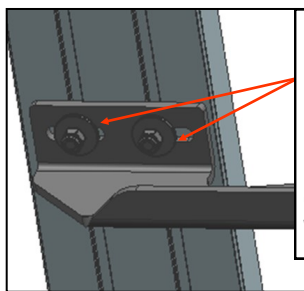
IMPORTANT: Do not slide the Step Bar on the Brackets or the bottom surface of the board will be damaged. Attach the Step Bar to each Mounting Brackets with (2) M6x1-20mm Square Head Bolts, (2) M6 Large Flat Washers and (2) M6 Nylon Lock Nuts, (**Fig 6**). Do not fully tighten at this time.

Level and adjust the Step Bar and fully tighten all hardware. Repeat **Steps 1-6** for the other side Step Bar installation. **The installation is completed!!!**

iBoard®

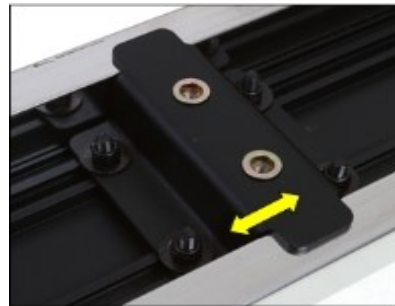


(Fig 5) Slip M6X1-20mm Square Head Bolts Into The Bottom Channels



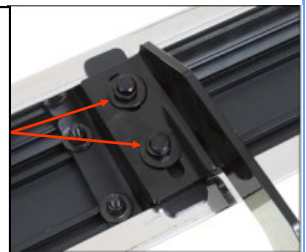
(2) M6X1-20mm Square Head Bolts
(2) M6 Large Flat Washers
(2) M6 Nylon Lock Nuts
IMPORTANT: TORQUE FOR 6MM FASTNERS MUST LESS THAN 6-7 FT-LBS OR THE FASTNERS WILL BE DAMAGED!

(Fig 6) Running Board Installed Onto Mounting Bracket



(Fig 7) Slide & line up the U-Slider with the installed mounting brackets along bottom channel

(2) M6X1-20mm Hex Bolts
(2) M6 Large Flat Washers
(2) M6 Lock Washers
IMPORTANT: TORQUE FOR 6MM FASTNERS MUST LESS THAN 6-7 FT-LBS OR THE FASTNERS WILL BE DAMAGED!



(Fig 8) Step Bar Installed on Bracket Installed (Example)

STEP 7

Stainless Steel Step Bar Installation:

Select a **Stainless Steel Step Bar** (with the U-Sliders installed on the Bar). Loose the U-Sliders, reposition the U-Sliders onto the board according to the (2) Installed Mounting Brackets location, (Fig 7). Re-secure the U-Sliders on the Step Bar. Attach the Step Bar to the installed Mounting Brackets with (4) M6X1-20mm Hex Bolts, (4) M6 Large Flat Washers & (4) M6 Lock Washers, (Fig 8). Do not fully tighten hardware at this time.

Level and adjust the Step Bar and fully tighten all hardware.

Repeat **Steps 1-5 and 7** for the other side Step Bar installation.

The installation is completed!!!

Attention

Do periodic inspections to the installation to make sure that all hardware is secure and tight.

In order to protect your bars/boards, please use only mild soap/non-abrasive products for cleaning.