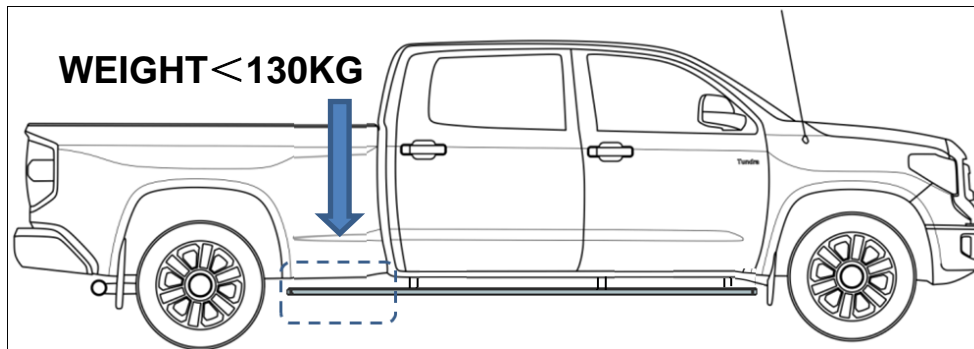


PARTS LIST:

Item	QTY	Description	Item	QTY	Description
#01	2	Running Board(use for left or right)	#09	12	M8 Hex Nuts
#02	4	Mounting Brackets(use for left or right)	#10	4	M10x1.25-80mm Hex Bolts
#03	1	Driver Rear Mounting Brackets (DRM)	#11	8	M10 Flat Washers
#04	1	Passenger Rear Mounting Brackets (PRM)	#12	4	M10 Lock Washers
#05	1	Driver Rear Lower Mounting Brackets (DRB)	#13	4	M10 Hex Nuts
#06	1	Passenger Rear Lower Mounting Brackets (PRB)	#14	20	M6 Nylon Lock Nuts
#07	12	8mm x 24mm x 2mm Flat Washers	#15	20	M6X1.0 - 20mm T-Bolts
#08	12	M8 Lock Washers	#16	20	M6 Flat Washers



IMPORTANT ALERT: FOR WHEEL TO WHEEL APPLICATION, WEIGHT TO THE REAR END AREA OF THE RUNNING BOARD BEHIDE THE LAST BRACKET NEED TO LESS THEN 130KG.OVERWEIGHT IN THIS AREA MAYBE DAMAGE YOUR RUNNING BOARD.



PROCEDURE:

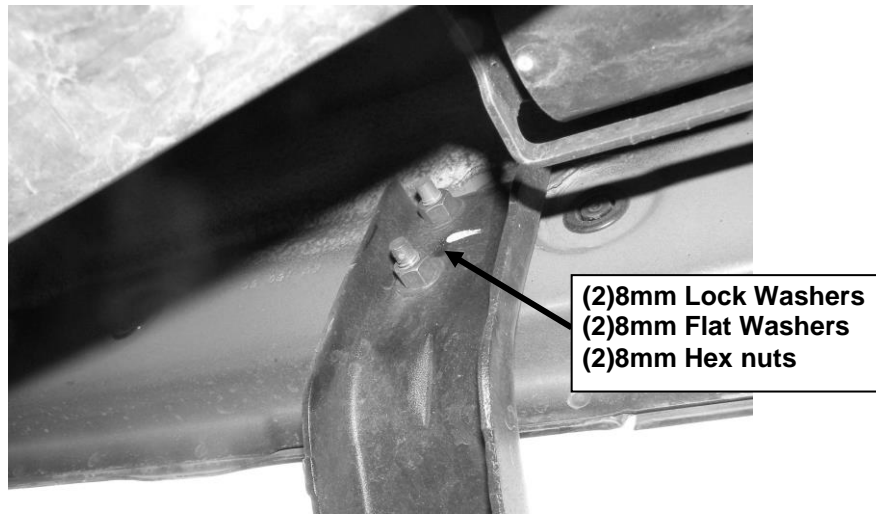
1. REMOVE CONTENTS FROM BOX. VERIFY ALL PARTS ARE PRESENT. READ INSTRUCTIONS CAREFULLY.
2. On the passenger/right side, if equipped, remove the existing running board by removing the four nuts holding mount to inside of body. Install the two mounting brackets with the removed stock nuts, leave nuts loose for now. **NOTE:** Holes in brackets are off set, install with holes towards front of truck, passenger/right side shown(**Figure 1**).
3. If not equipped with factory running boards – then use the four supplied M8 hex nuts, washers & lock washers to install mounting brackets to truck.
4. Move to the rear location. Select a rear upper bracket, repeat **Step 2-3** to install the rear upper Mounting Bracket.Do not tighten hardware at this time.

5. Select the driver rear lower bracket, bolt to the upper bracket with (2)M10-80mm Hex bolts,(2)M10 lock washers,(4)M10 flat washers and (2)M10 Hex Nuts. **(Figure 2)** .Do not tighten hardware at this time.
6. Once all three Mounting Brackets are partially installed, Select a Running Board. Slip (10)M6 T-bolts into each bottom channel**(Figure 3)**. Carefully position the Running Board onto the (3) Mounting Brackets. Attach the Running Board to the Front & Center Mounting Brackets with (2) M6 T-bolts,(2)M6 flat washers and (2)M6 nylon lock nuts, to rear bracket with (6) M6 T-bolts,(6)M6 flat washers and (6)M6 nylon lock nuts **(Figure 4&5)**. Do not tighten hardware at this time.
7. Repeat procedures 2 - 6 for driver/left side.
8. Level and adjust Running Board as desired and tighten.
9. Do periodic inspections to the installation to make sure that all hardware is secure and tight.

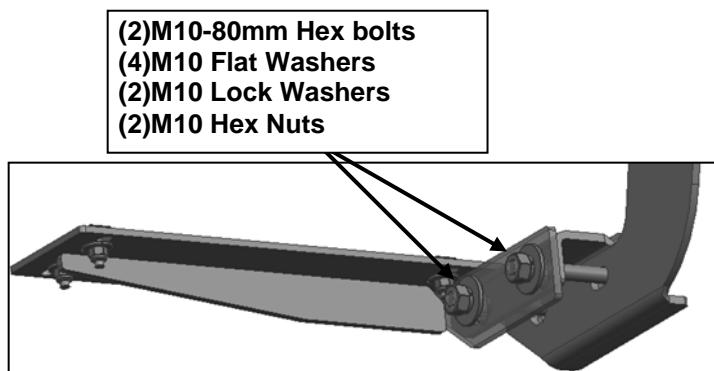
To protect your investment, wax this product after installing. Regular waxing is recommended to add a protective layer over the finish. Do not use any type of polish or wax that may contain abrasives that could damage the finish.

For Polished Finshes: Aluminum polish may be used to polish small scratches and scuffs on the finish. Mild soap may be used also to clean the Running Board.

For black finishes: Mild soap may be used to clean the Running Board



(Fig 1) Passenger side Bracket(example only)

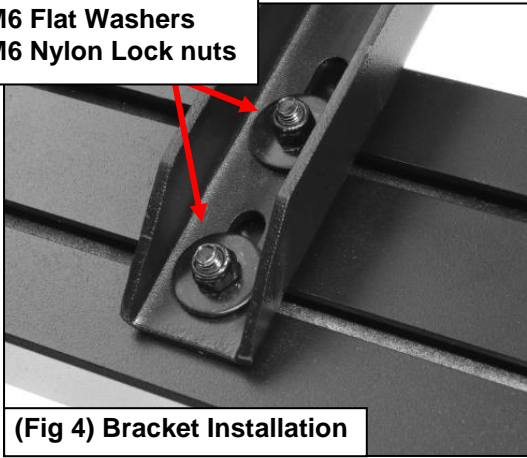


(Fig 2) Driver/left rear bracket installed



(Fig 3) Slip M6 T-bolts into the bottom channel

(2)M6 T-bolts
(2)M6 Flat Washers
(2)M6 Nylon Lock nuts



(6)M6T-bolts
(6)M6 Flat Washers
(6)M6 Nylon Lock nuts

