

# iBoard®

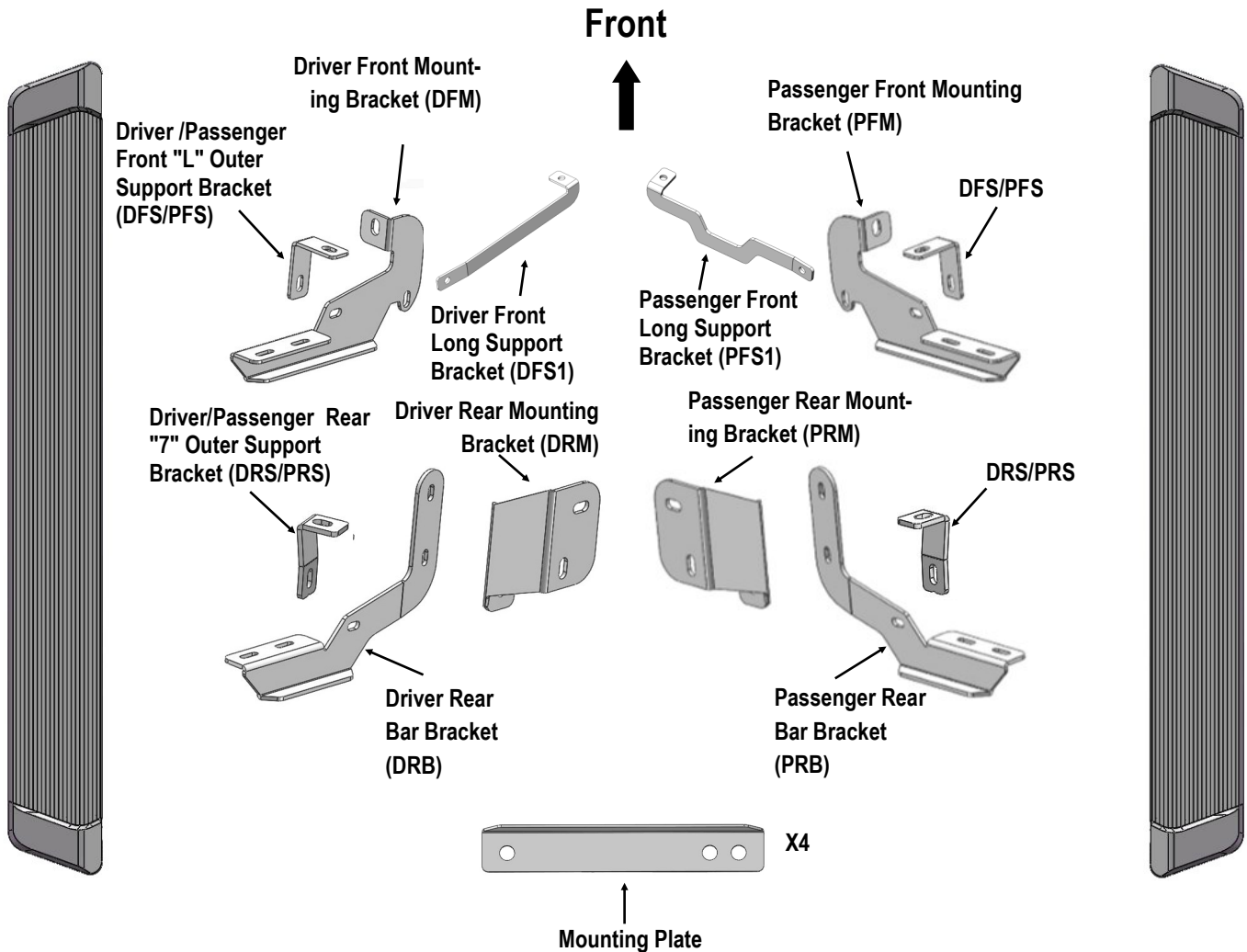
## iBoard® by APS

PART#: IB-R972

READ INSTRUCTIONS CAREFULLY BEFORE STARTING INSTALLATION. REMOVE CONTENTS FROM BOX AND VERIFY ALL PARTS ARE PRESENT. ASSISTANCE IS RECOMMENDED.

\*ROCKER PANEL MOUNT  
\*NO DRILLING REQUIRED

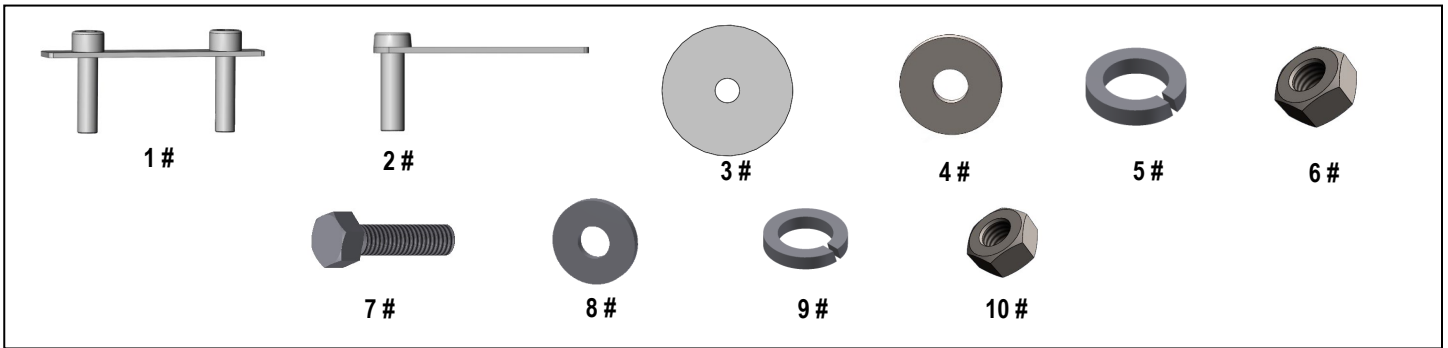
Fastener Size	Tightening Torque (ft-lbs)	Required
6mm	6-7	√
8mm	16-18	√
10mm	31-32	√
12mm	56-58	X
14mm	92-94	X



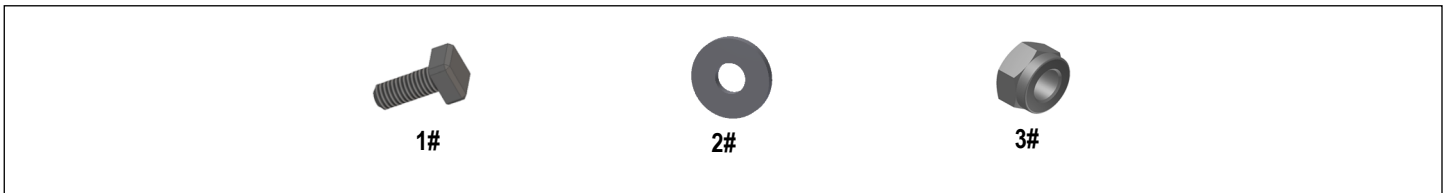
Customer Support: [info@iboardauto.com](mailto:info@iboardauto.com)

# iBoard®

Hardware Package A (For Bracket Installation)					
Item	QTY	Description	Item	QTY	Description
1#	2	M10X35 Double Bolt Plates	6#	16	M10 Hex Nuts
2#	12	M10X35 Bolt Plates	7#	10	M8X1.25-30mm Hex Bolts
3#	12	M10 Plastic Washers	8#	20	M8 Large Flat Washers
4#	16	M10 Large Flat Washers	9#	10	M8 Lock Washers
5#	16	M10 Lock Washers	10#	10	M8 Hex Nuts



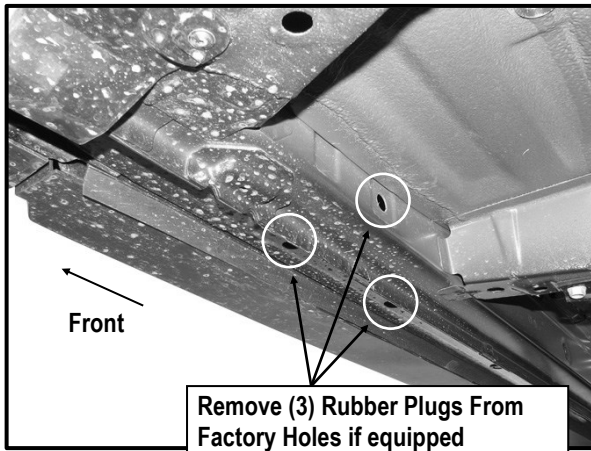
Hardware Package B (For Step Bar Installation)					
Item	QTY	Description	Item	QTY	Description
1#	8	M6X1-20mm Square Head Bolts	3#	8	M6 Nylon Lock Nuts
2#	8	M6 Large Flat Washers			



# iBoard®

## STEP 1

Start installation from the passenger side front of the vehicle. Locate and remove the (3) rubber plugs at the bottom of the outer frame channel closest to the front wheel opening, (Fig 1).



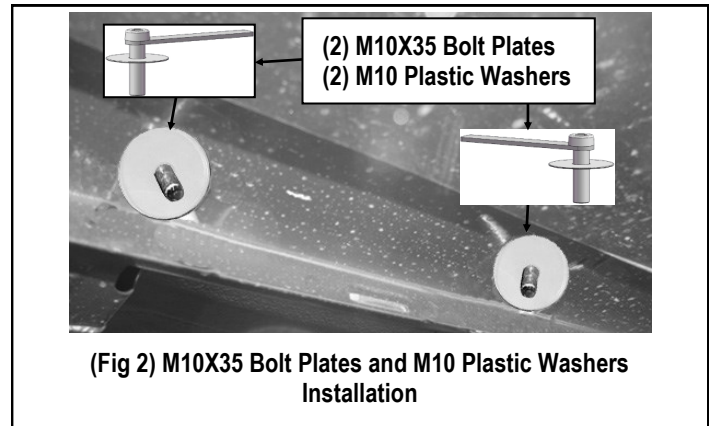
(Fig 1) Passenger Side Front Mounting Location

## STEP 2

Select (2) M10X35 Bolt Plates and (2) M10 Plastic Washers. Partially thread the M10 Plastic Washer onto the Bolt Plates. **NOTE:** The Plastic Washer is designed to hold the Bolt Plate in place during Bracket installation.

Insert (1) M10X35 Bolt Plate into the most front hole with the plate pointed toward the rear of the vehicle, (Fig 2). Thread the M10 Plastic Washer down tight against the body panel. Repeat to install the next M10X35 Bolt Plate into the second hole with the Mounting Plate pointed toward the front of the vehicle, (Fig 3).

**Note:** The Plates on the (2) Bolt Plates must be pointed toward each other, (Fig 3).



(Fig 2) M10X35 Bolt Plates and M10 Plastic Washers Installation

## STEP 3

Select (1) Mounting Plate, (Fig 3). Attach the Mounting Plate over the installed (2) M10X35 Bolt Plates. Secure the Mounting Plate to the rear Bolt Plate only with (1) M10 Large Flat Washer, (1) M10 Lock Washer and (1) M10 Hex Nut, (Fig 4). Tighten the Hex Nut at this time.

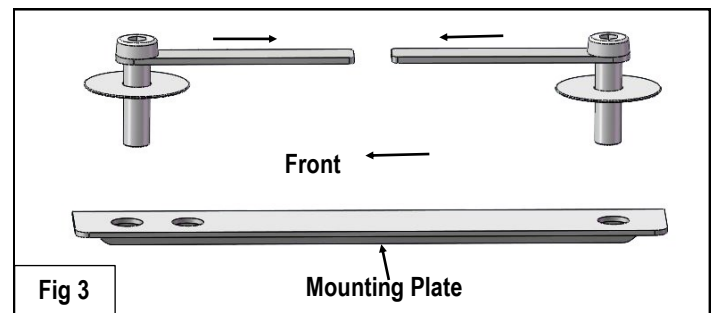
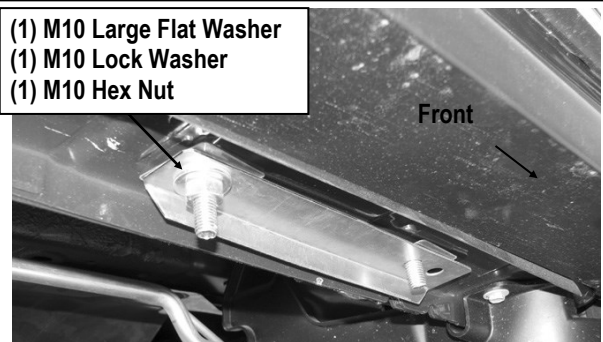


Fig 3

Mounting Plate

(1) M10 Large Flat Washer  
(1) M10 Lock Washer  
(1) M10 Hex Nut



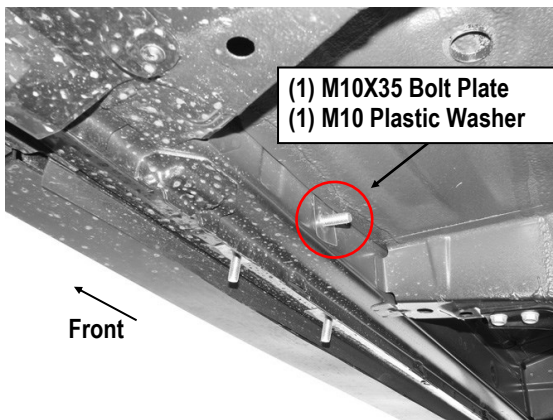
(Fig 4) Mounting Plate Installed  
(on the Passenger Side Front Mounting Location)

# iBoard®

## STEP 4

Locate the round hole on the body panel directly behind the previously installed (2) Bolt Plates, (Figs 1 & 5). Remove the rubber plug if equipped. Insert (1) M10X35 Bolt Plate into the round hole. And thread (1) M10 Plastic Washer onto the Bolt Plate down tight against the body panel.

**IMPORTANT:** Mounting areas may cover by undercoating. Brackets should attach on the body panel flatly. Remove the undercoating on the bracket mounting area, if necessary.

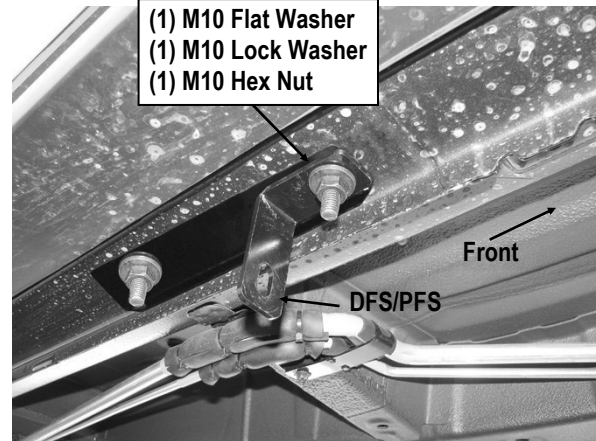


(Fig 5) M10X35 Bolt Plate Installed  
(on the Inner Side Of The Body Panel)

## STEP 5

Select (1) Passenger Front "L" Outer Support Bracket (DFS/PFS). Attach the shorter end of the Passenger Front "L" Outer Support Bracket to the installed front Bolt Plate with (1) M10 Large Flat Washer, (1) M10 Lock Washer and (1) M10 Hex Nut, (Fig 6). Do not fully tighten hardware at this time.

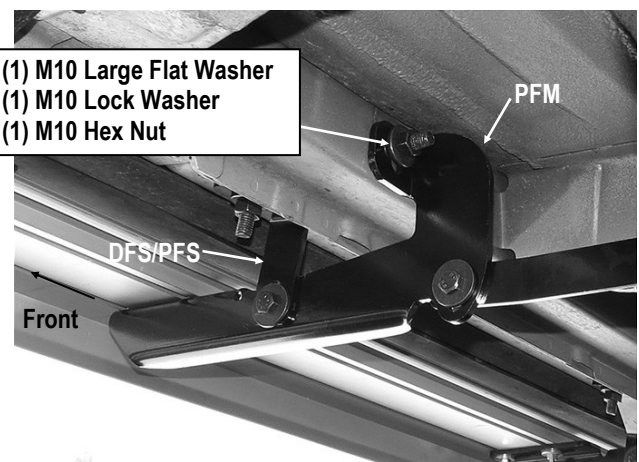
**Note:** Passenger Front "L" Outer Support Bracket (DFS/PFS) and Passenger Rear "7" Outer Support Bracket (DRS/PRS) are different.



(Fig 6) Passenger Front L Support Bracket Installed

## STEP 6

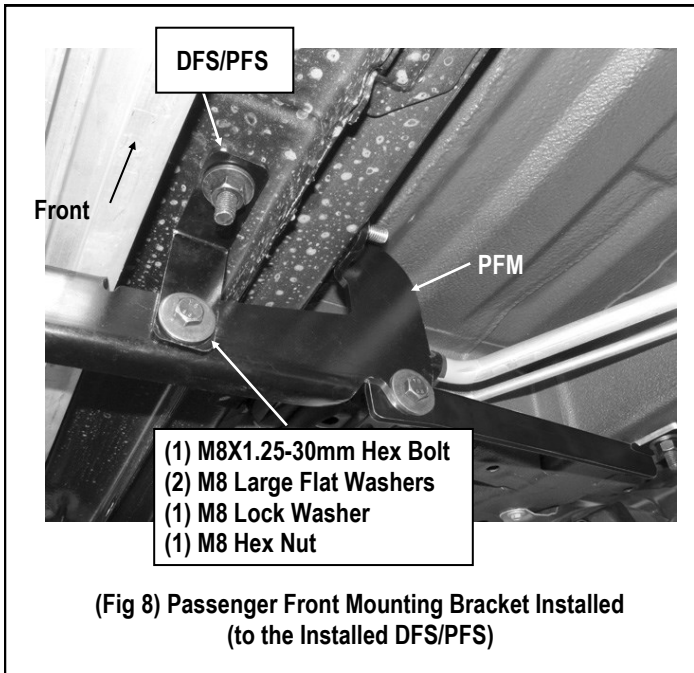
Select the Passenger Front Mounting Bracket (PFM). Attach the bracket to the installed M10X35 Bolt Plate on the inner side of the body panel with (1) M10 Large Flat Washer, (1) M10 Lock Washer and (1) M10 Hex Nut, (Fig 7). And then, secure the Mounting Bracket to the installed Passenger Front "L" Outer Support Bracket (DFS/PFS) with (1) M8X1.25-30mm Hex Bolt, (2) M8 Large Flat Washers, (1) M8 Lock Washer and (1) M8 Hex Nut, (Fig 8). Do not fully tighten hardware at this time.



(Fig 7) Passenger Front Mounting Bracket Installation  
(Secure to the Installed Bolt Plate on Body Panel)



# iBoard®



(Fig 8) Passenger Front Mounting Bracket Installed (to the Installed DFS/PFS)

## STEP 7

Move to the Passenger / Drive Front Long Support Brackets (DFS1 / PFS1) installation. Locate the factory holes in the bottom of the inner frame channel. **Determine the correct mounting hole:**

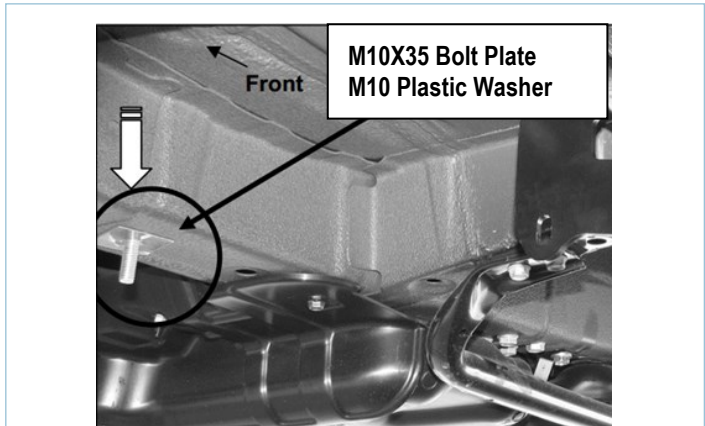
**Driver side :** Use the front factory hole, (Fig 9).

**Passenger side:** Use the rear factory hole, (Fig 10).

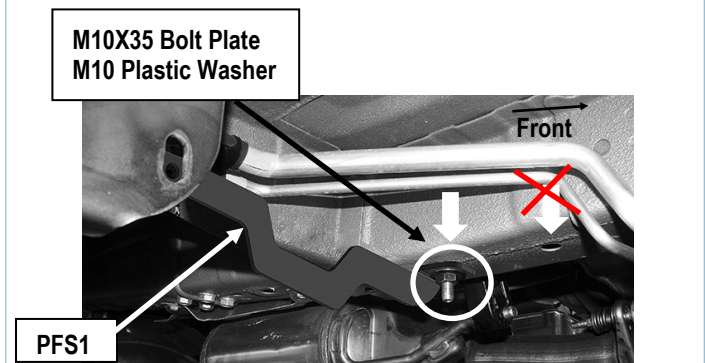
Select (1) M10X35 Bolt Plate and (1) M10 Plastic Washer. Partially thread the M10 Plastic Washer onto the Bolt Plate. Insert the Bolt Plate into the correct factory hole in the frame channel (Fig 9 & 10).

Attach the shorter end of the Front Long Support Bracket to the installed M10X35 Bolt Plate with (1) M10 Large Flat Washer, (1) M10 Lock Washer and (1) M10 Hex Nut, (Figs 11-13).

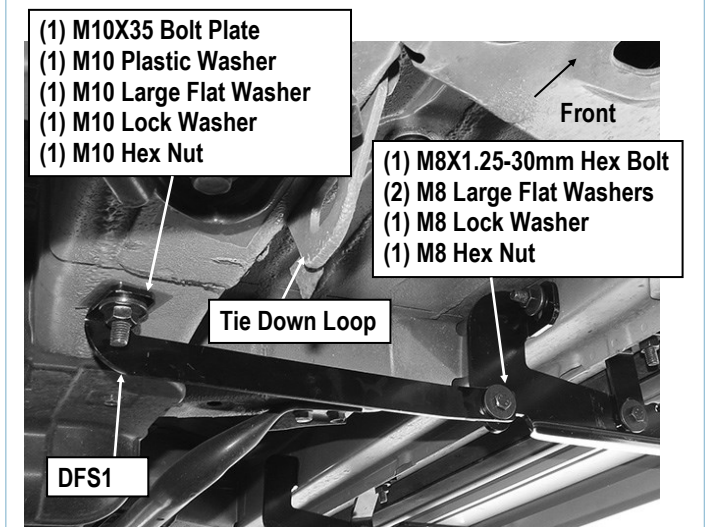
Bolt the other end of the Front Long Support Bracket to the front Mounting Bracket with (1) M8X1.25-30mm Hex Bolt, (2) M8 Large Flat Washers, (1) M8 Lock Washer and (1) M8 Hex Nut, (Figs 11-13). Do not fully tighten at this time.



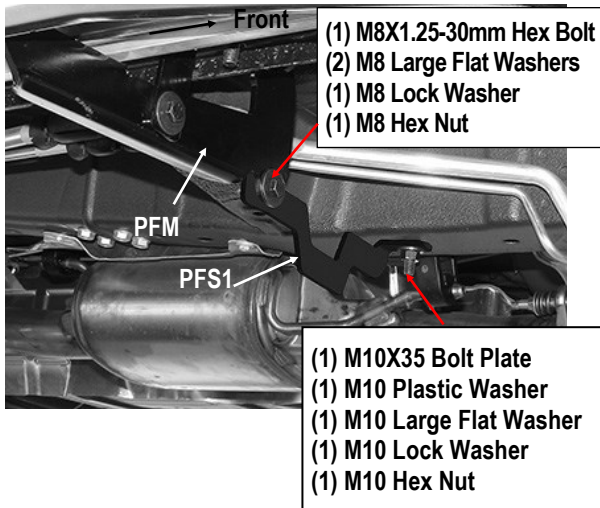
(Fig 9) Driver Front Long Support Bracket Location



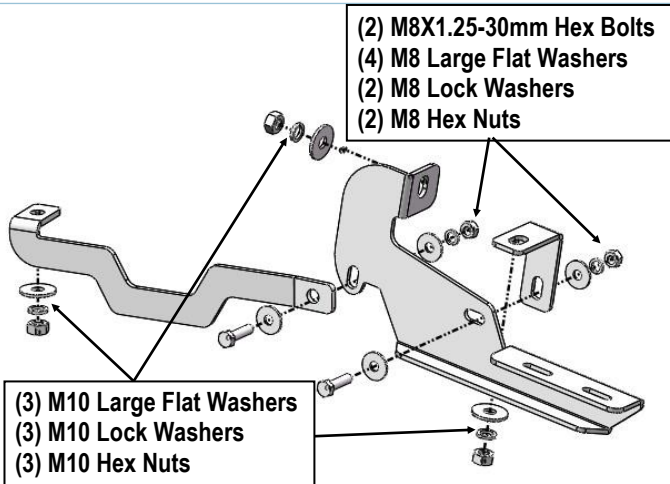
(Fig 10) Passenger Front Long Support Bracket Location



(Fig 11) Driver Front Long Support Bracket (DFS1) Installation



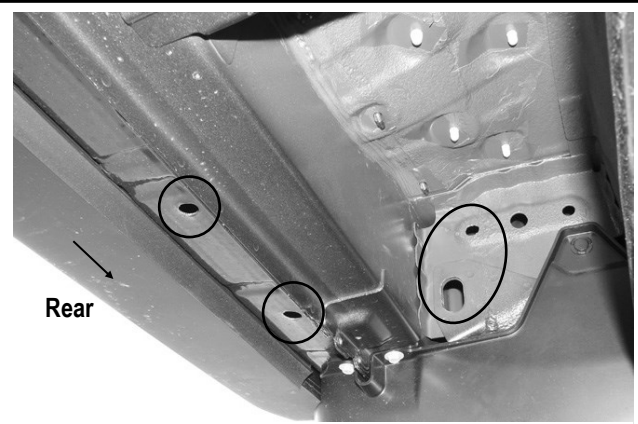
(Fig 12) Passenger Front Long Support Bracket (PFS1) Installation



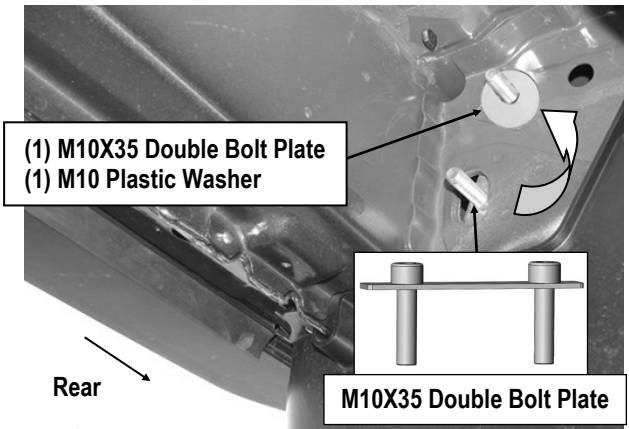
(Fig 13) Passenger Front Brackets Installation

## STEP 8

Move to the passenger side rear mounting location. Locate the large oval and the round holes on the inner body panel in front of the rear tire, (Fig 14). Select (1) M10X35 Double Bolt Plate and (1) M10 Plastic Washer. Insert the M10X35 Bolt Plate into the oval hole and up and out of the smaller round hole above it. Thread the Plastic Washer onto the M10X35 Bolt Plate in the round hole only, (Fig 15).



(Fig 14) Passenger Side Rear Mounting Location Pictured



(Fig 15) M10X35 Double Bolt Plate Installed (on Passenger Side Rear Mounting Location )

## STEP 9

Locate the last (2) round holes along the floor panel, (Fig 16) . Repeat **Steps 1-3** to install the (2) M10X35 Bolt Plates and (1) Mounting Plate, (Fig 16 & 17) **NOTE:** Attach the Mounting Plate to the front of M10X35 Bolt Plate only with (1) M10 Flat Washer, (1) M10 Lock Washer and (1) M10 Hex Nut, (Fig 17). Tighten the Hex Nut at this time.

# iBoard®

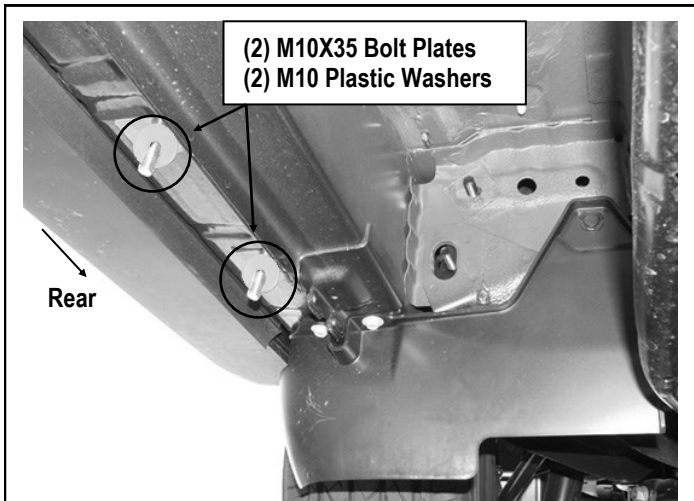
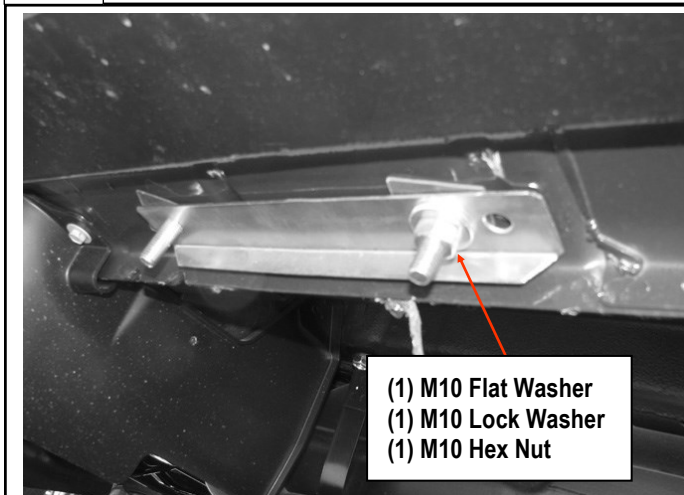


Fig 16

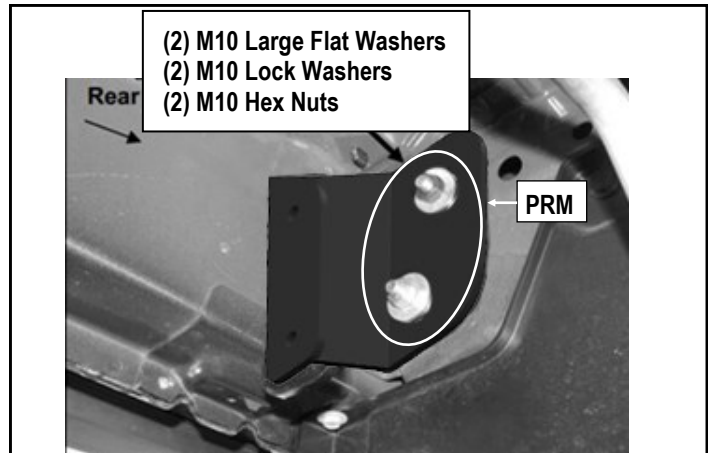


(Fig 17) Mounting Plate Installation

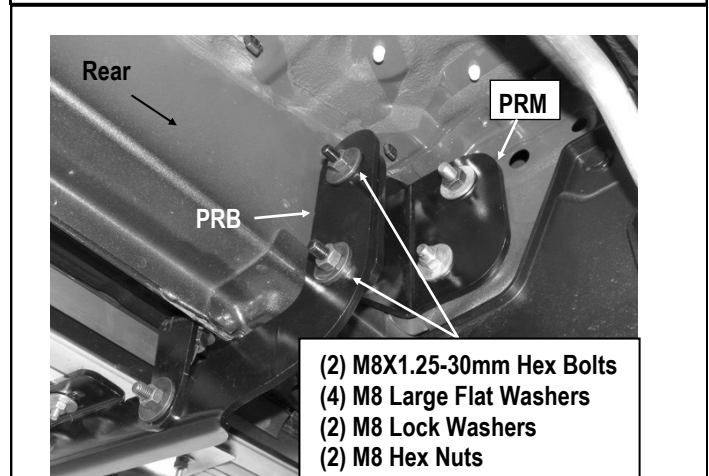
## STEP 10

Select the Passenger Rear Mounting Bracket (**PRM**). Attach the Mounting Bracket to the M10X35 Double Bolt Plate with (2) M10 Large Flat Washers, (2) M10 Lock Washers and (2) M10 Hex Nuts, (**Fig 18**). Do not fully tighten hardware at this time.

Next, attach the Passenger Rear Bar Bracket (**PRB**) to the front of the Mounting Bracket with (2) M8X1.25-30mm Hex Bolts, (4) M8 Large Flat Washers, (2) M8 Lock Washers and (2) M8 X1.25 Hex Nuts, (**Fig 19**). Do not fully tighten hardware at this time.



(Fig 18) Passenger Rear Mounting Bracket Installation



(Fig 19) Passenger Rear Mounting Bracket And Passenger Rear Bar Bracket Assembly

## STEP 11

Attach the Passenger Rear 7 Support Bracket to the rear of M10X35 Bolt Plate with (1) M10 Flat Washer, (1) M10 Lock Washer and (1) M10 Hex Nut, (**Fig 20 & 21**). Do not fully tighten hardware at this time.

Bolt the Passenger Rear 7 Support Bracket to the back of the Passenger Rear Bar Bracket with (1) M8X1.25-30mm Hex Bolt, (2) M8 Flat Washers, (1) M8 Lock Washer and (1) M8 Hex Nut, (**Fig 20 & 21**). Do not fully tighten hardware at this time.

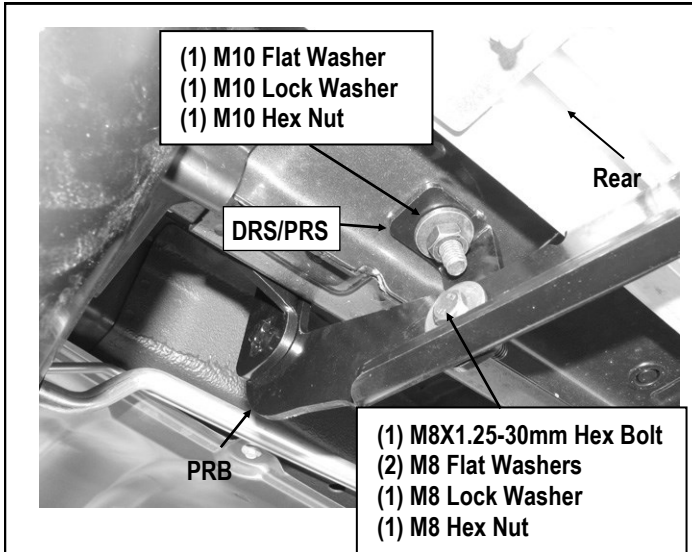


# iBoard®

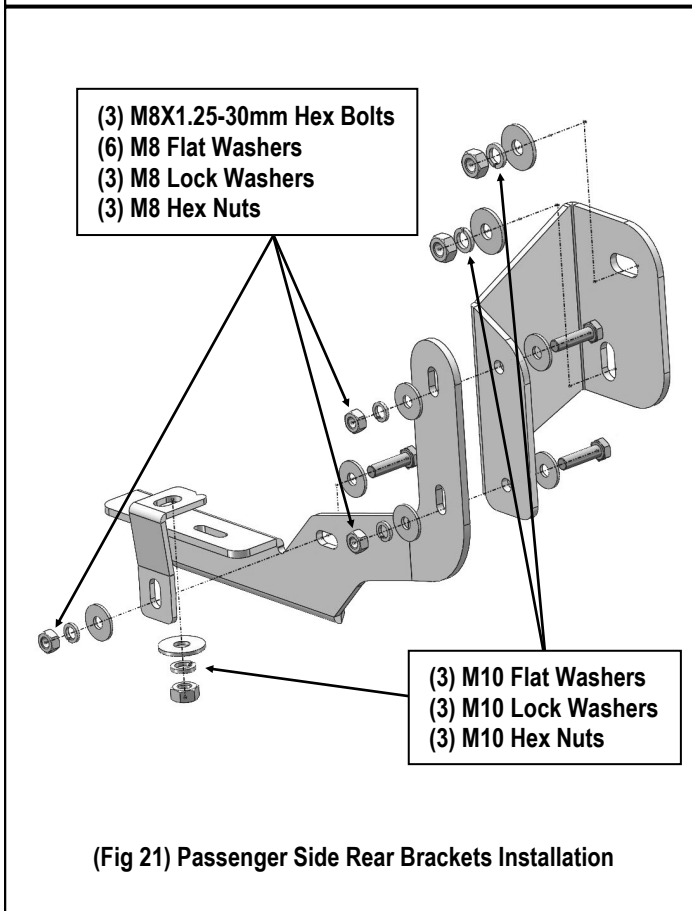
## STEP 12

Once all (2) Mounting Brackets are installed. Select a Running Board. Slip (2) M6x1-20mm Square Head Bolts into each bottom channel (Fig 22). Carefully position the Running Board onto the (2) Mounting Brackets.

**IMPORTANT:** Do not slide the Running Board on the Brackets or the bottom surface of the board will be damaged. Attach the Running Board to each Mounting Bracket with (2) M6x1-20mm Square Head Bolts, (2) M6 Large Flat Washers and (2) M6 Nylon Lock Nuts (Fig 23). Do not fully tighten at this time.

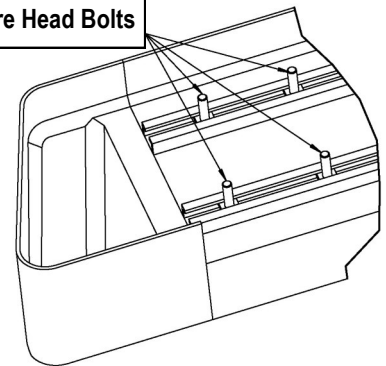


(Fig 20) Passenger Rear 7 Support Bracket Installation



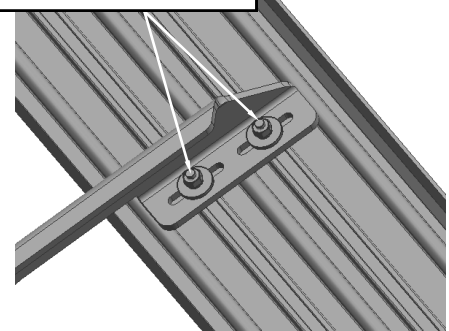
(Fig 21) Passenger Side Rear Brackets Installation

M6X1-20mm Square Head Bolts



(Fig 22) Slip M6X1-20mm Square Head Bolts Into The Bottom Channels

(2) M6X1-20mm Square Head Bolts  
(2) M6 Large Flat Washers  
(2) M6 Nylon Lock Nuts



(Fig 23) Running Board Installed Onto Mounting Bracket



# iBoard®

## STEP 13

Level and adjust the Running Board and fully tighten all hardware.

**Important: Please follow the recommended Tightening Torques shown in the table on page 1. Don't over tighten, or the nuts/bolts will be damaged.**

## STEP 14

Repeat **Steps 1-13** for the other side Running Board installation. The installation is completed .

### Attention

**Do periodic inspections to the installation to make sure that all hardware is secure and tight.**

**In order to protect your bars/boards, please use only mild soap/non-abrasive products for cleaning.**