



iBoard® by APS

PART#: IB-407C&H

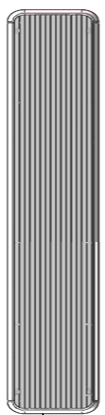
READ INSTRUCTIONS CAREFULLY BEFORE STARTING INSTALLATION. REMOVE CONTENTS FROM BOX AND VERIFY ALL PARTS ARE PRESENT. ASSISTANCE IS RECOMMENDED.

*ROCKER PANEL MOUNT
*DRILLING IS REQUIRED

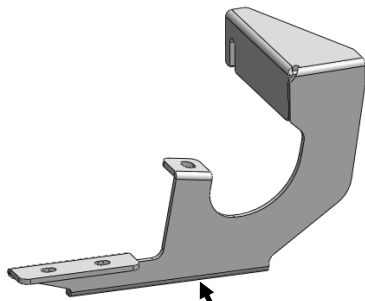
Fastener Size	Tightening Torque (ft-lbs)	Required
6mm	6-7	X
8mm	16-18	√
10mm	31-32	√
12mm	56-58	X
14mm	92-94	X

PART LIST

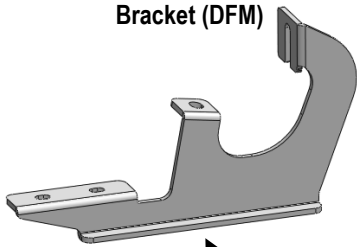
Driver Side Step Bar



Step Bars



Driver Front Mounting Bracket (DFM)

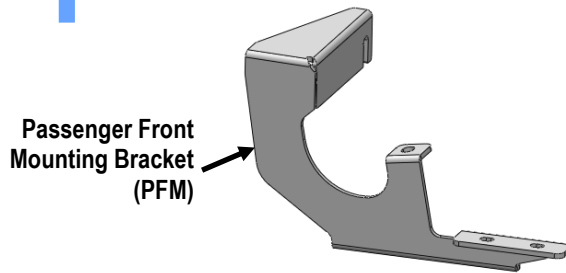


Driver Rear Mounting Bracket (DRM)

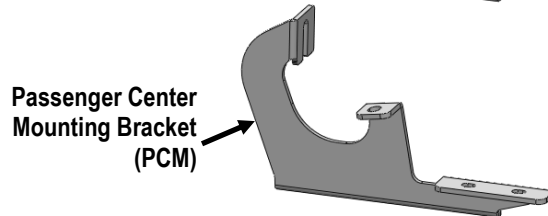
Front



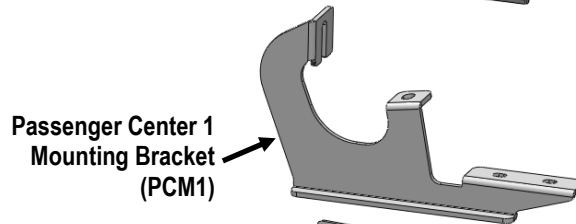
Passenger Side Step Bar



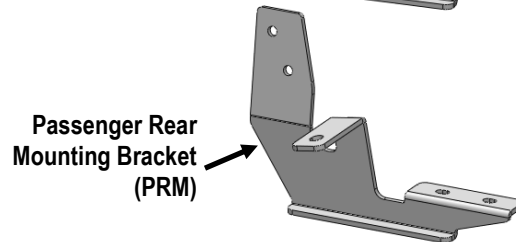
Passenger Front Mounting Bracket (PFM)



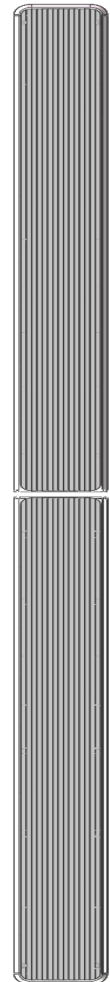
Passenger Center Mounting Bracket (PCM)



Passenger Center 1 Mounting Bracket (PCM1)



Passenger Rear Mounting Bracket (PRM)



Step Bars



Hardware Package A (For Bracket Installation)

Item	QTY	Description	Item	QTY	Description
1#	11	M10 Bolt Plates	5#	2	M8X1.25-30mm Hex Bolts
2#	5	M10 Plastic Washers	6#	4	M8 Flat Washers
3#	11	M10 Flat Washers	7#	2	M8 Lock Washers
4#	11	M10X1.5 Nylon Lock Nuts	8#	2	M8X1.25 Hex Nuts



1#



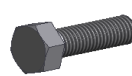
2#



3#



4#



5#



6#



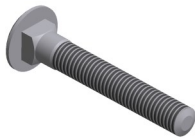
7#



8#

Hardware Package B (For Stainless Steel Step Bar Installation)

Item	QTY	Description	Item	QTY	Description
1#	12	M8X1.25-35mm Carriage Bolts	3#	12	M8 Nylon Lock Nuts
2#	12	M8 Large Flat Washers	4#	6	Sliders (Packed with Step Bars)



1 #



2 #



3 #



4 #

Hardware Package C (For Stainless Steel Step Bar Assembly)

Item	QTY	Description	Item	QTY	Description
1#	4	Plastic Rivets	5#	2	M8 Hex Nuts
2#	6	M8X1.25-25mm Inner Hex Bolts	6#	1	Plastic Cover (Packed with Step Bars)
3#	8	M8 Flat Washers	7#	1	Back Plate (Packed with Step Bars)
4#	6	M8 Lock Washers			



1 #



2 #



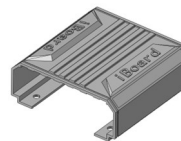
3 #



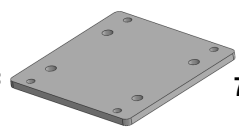
4 #



5#



6#



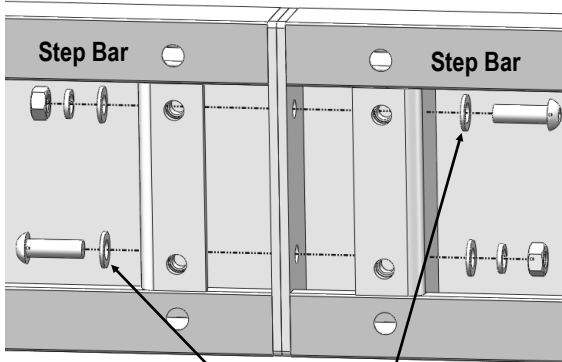
7#



STEP 1

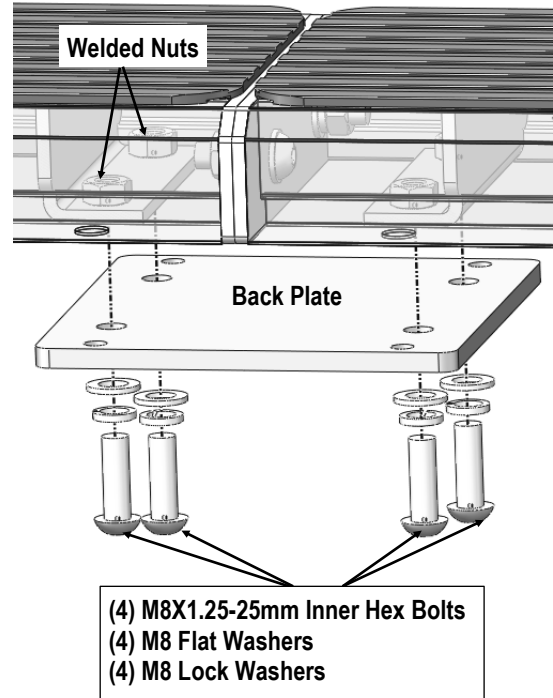
Passenger Side Step Bar Assembly:

1. Select and assemble (2) Step Bars with (2) M8X1.25-25mm Inner Hex Bolts, (4) M8 Flat Washers, (2) M8 Lock Washers and (2) M8 Hex Nuts, (Fig 1). **NOTE: (2) Step Bars are universal.**
2. Attach (1) Back Plate to the bottom of the installed (2) Step Bars with (4) M8X1.25-25mm Inner Hex Bolts, (4) M8 Flat Washers, (4) M8 Lock Washers, (Fig 2).
3. Install (1) Plastic Cover to cover the joint of (2) Step bars with (4) Plastic Rivets, (Fig 3).



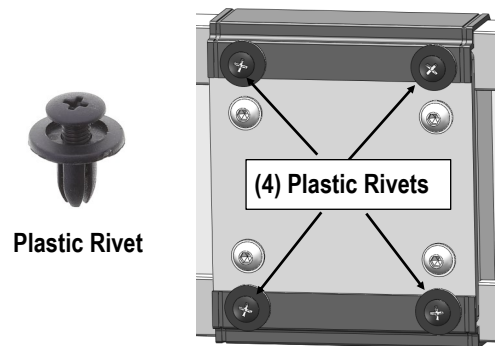
(2) M8X1.25-25mm Inner Hex Bolts
(4) M8 Flat Washers
(2) M8 Lock Washers
(2) M8 Hex Nuts

(Fig 1) Step Bars Assembly



(4) M8X1.25-25mm Inner Hex Bolts
(4) M8 Flat Washers
(4) M8 Lock Washers

(Fig 2) Back Plate Installation



(Fig 3) Plastic Cover Installation (Bottom View)

Assembled Passenger Side Step Bar

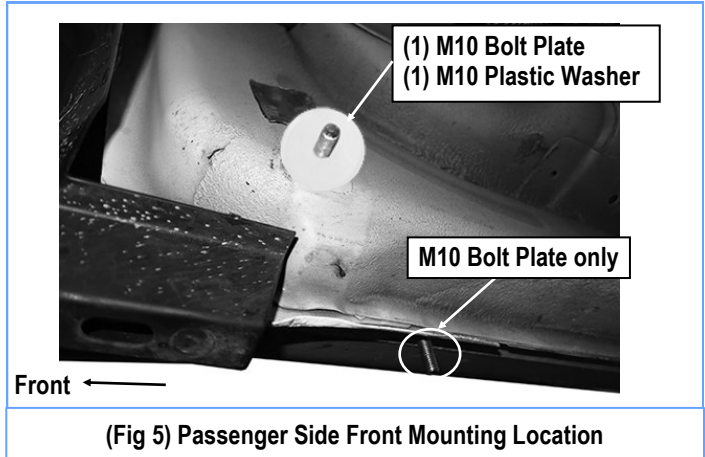




STEP 2

Starting installation on the passenger side of the vehicle. From the front wheel opening, locate the factory mounting holes along the bottom of the pinch weld and body panel, (Figs 4 & 5).

NOTE: Some mounting holes will be covered by plugs or tapes, remove if equipped.



(Fig 5) Passenger Side Front Mounting Location

STEP 3

Select (2) M10 Bolt Plates and (1) M10 Plastic Washer. Insert the (2) M10 Bolt Plates into the Passenger Side Front Mounting holes and thread (1) M10 Plastic Washer onto the upper Bolt Plate to hold the bolt plate in place, (Fig 5).

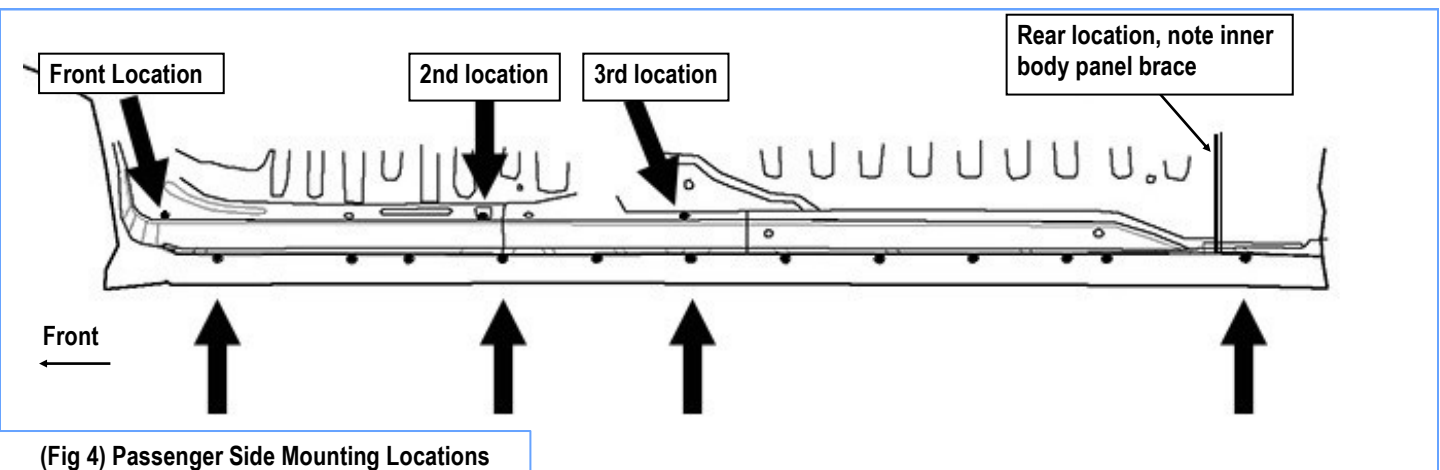
IMPORTANT: The Plastic Washer is designed to prevent the Bolt Plate from falling into the body panel and to aid in Bracket installation. Plastic Washers are not required for the Bolt Plates installed along the bottom of the outer body panel (outside of pinch weld).

STEP 4

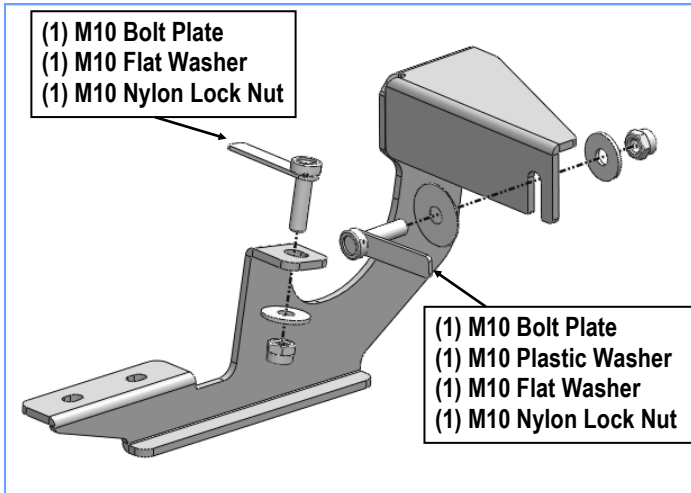
Select the Passenger Front Mounting Bracket (PFM). Attach the Passenger Front Mounting Bracket to the installed (2) M10 Bolt Plates with (2) M10 Flat Washers and (2) M10X1.5 Nylon Lock Nuts, (Figs 6 & 7). Do not fully tighten hardware at this time.

STEP 5

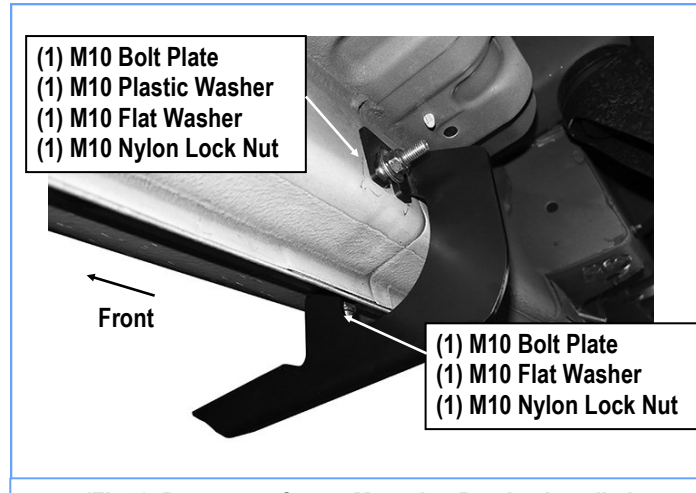
Move to the Passenger Side Center Mounting Location, (Fig 8). Locate the hole in the bottom of the body panel and the hole in the inner side of the body panel. Repeat Steps 2—4 to install the Passenger Center Mounting Bracket (PCM), (Fig 9).



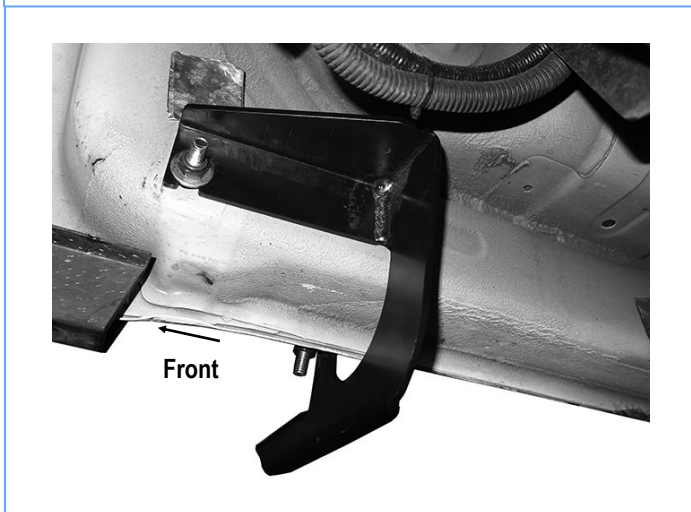
(Fig 4) Passenger Side Mounting Locations



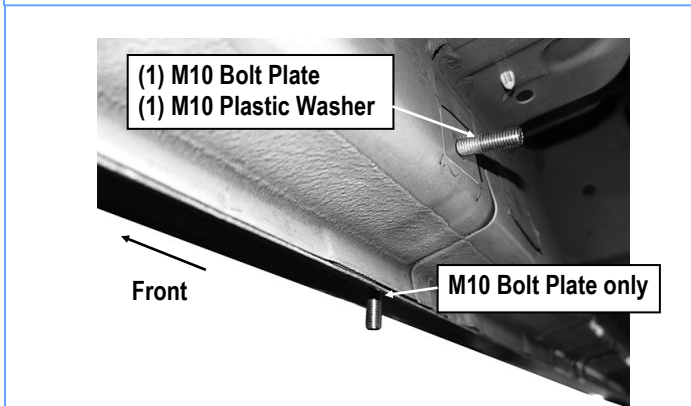
(Fig 6) Passenger Front Mounting Bracket Installation



(Fig 9) Passenger Center Mounting Bracket Installed



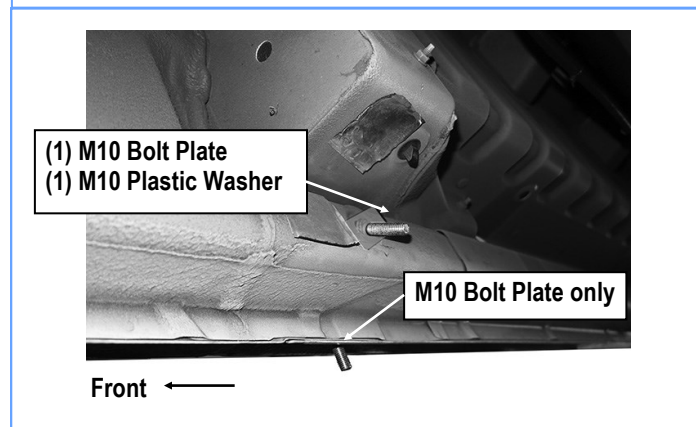
(Fig 7) Passenger Front Mounting Bracket Installed



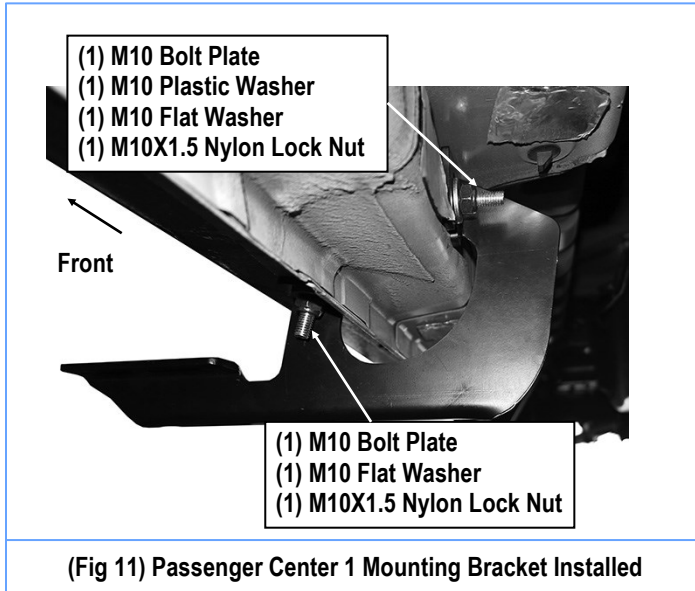
(Fig 8) Passenger Side Center Mounting Location

STEP 6

Move to the 3rd mounting location beneath the front of the sliding door, (Fig 10). Repeat **Steps 1—3** to install the Passenger Center 1 Mounting Bracket (PCM1), (Fig 11).

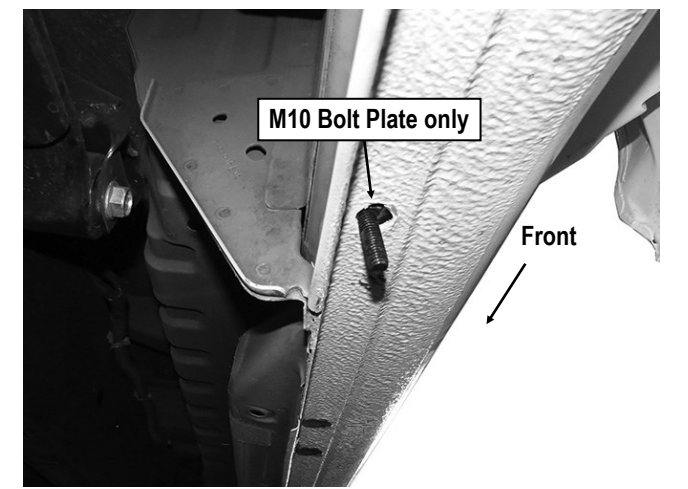


(Fig 10) Passenger Center 1 Mounting Location



STEP 7

Locate the Passenger Side Rear Mounting Location along the bottom of the body, (Fig 12). Insert (1) M10 Bolt Plate at the bottom of the body panel. Attach the Passenger Rear Mounting Bracket to the installed M10 Bolt Plate with (1) M10 Flat Washer and (1) M10 Nylon Lock Nut, (Fig 16). Line up the mounting plate on the Bracket with the front facing side of the inner body brace, (Fig 15). Do not fully tighten hardware.



(Fig 12) Passenger Rear Mounting Bracket Location

STEP 8

Once all (4) Passenger side mounting brackets are installed, then proceed to the Step Bar installation. (Figs 13 & 14)

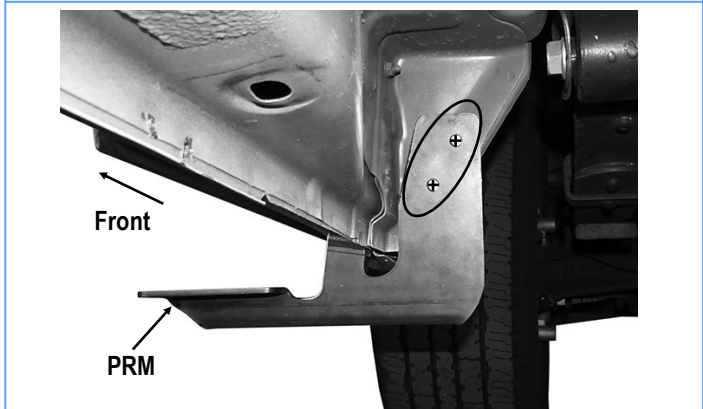
- (1) Select (1) Slider and (2) M8X1.25-35mm Carriage Bolts;
- (2) Install (2) M8X1.25-35mm Carriage Bolts in (1) Slider.
- (3) Slide the Slider (with carriage bolts) to the **Step Bar**.
- (4) Repeat to install the other (3) sliders to the step bar.
- (5) Attach the Step Bar (with the Sliders) onto the installed mounting brackets. Position the Sliders to the installed brackets. Secure the Step Bar to the installed Brackets by using (8) M8 Large Flat Washers and (8) M8 Nylon Lock Nuts and (4) Sliders, (Fig 14). Do not fully tighten hardware at this time.

Note: The Sliders are packed with the Step Bars.

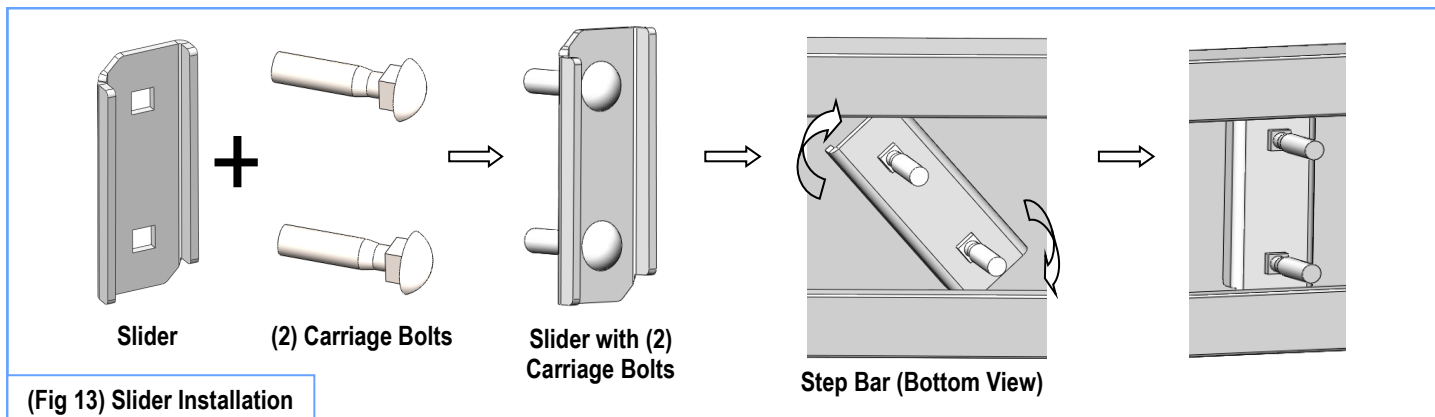
STEP 9

Back to the Passenger Rear Mounting Bracket (PRM). With the Step Bar level, mark the location of the (2) mounting holes on the Bracket onto the inner body brace, (Fig 15). Temporarily remove the Bracket only. Drill (2) 5/16" or 3/8" max holes through the marked locations, (Fig 16).

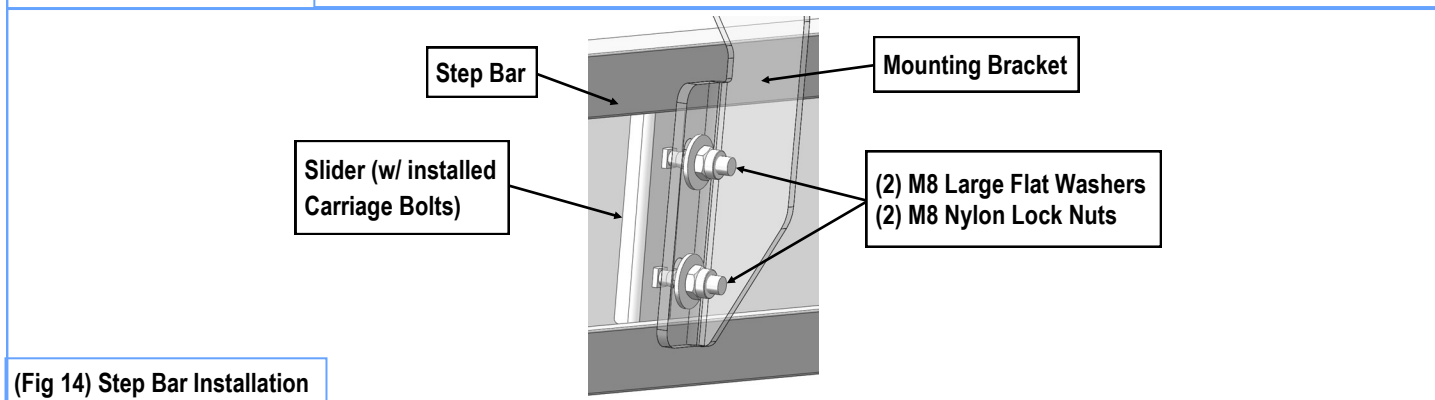
Reinstall the Bracket. Attach Bracket to inner body brace with the included (2) M8X1.25-30mm Hex Bolts, (4) M8 Flat Washers, (2) M8 Lock Washers and (2) M8X1.25 Hex Nuts, (Fig 17). Check Step Bar for level, adjust as necessary and fully tighten all hardware.



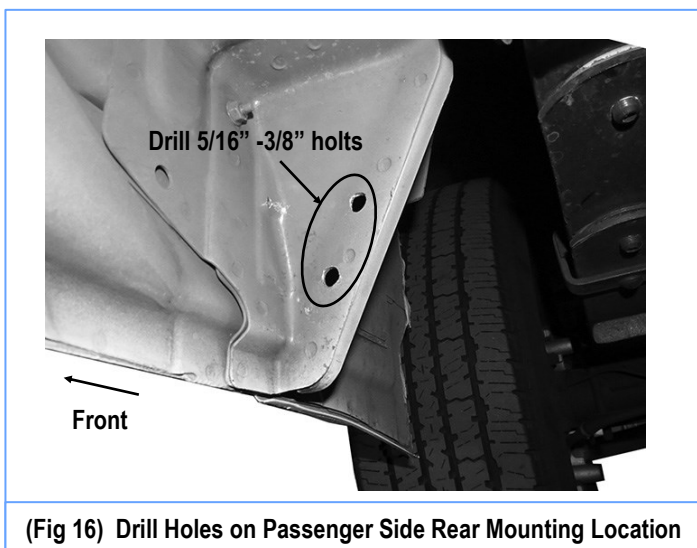
(Fig 15) Mark the Location Of the (2) Mounting Holes



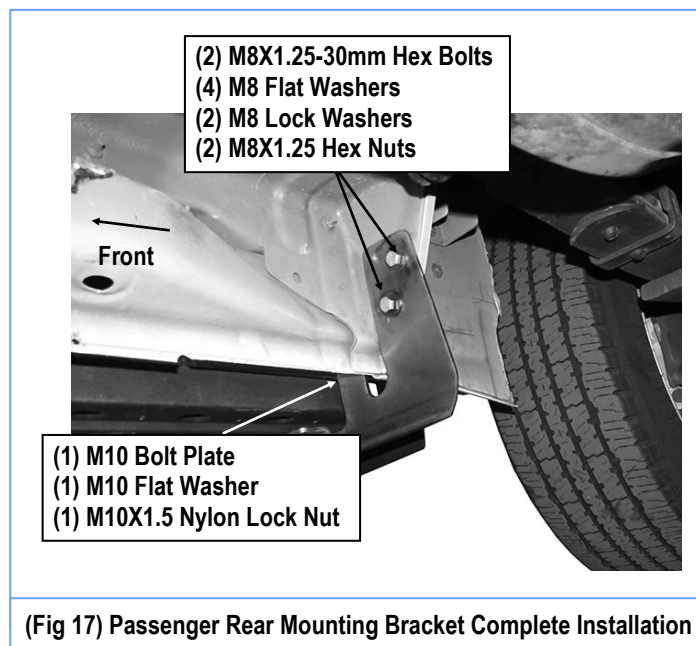
(Fig 13) Slider Installation



(Fig 14) Step Bar Installation



(Fig 16) Drill Holes on Passenger Side Rear Mounting Location

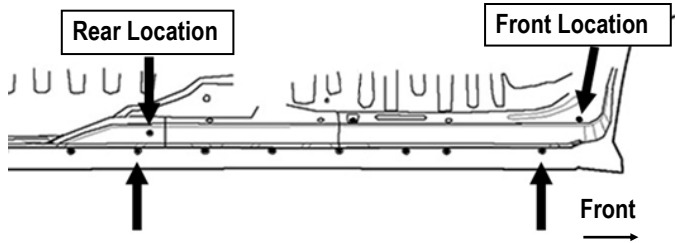


(Fig 17) Passenger Rear Mounting Bracket Complete Installation



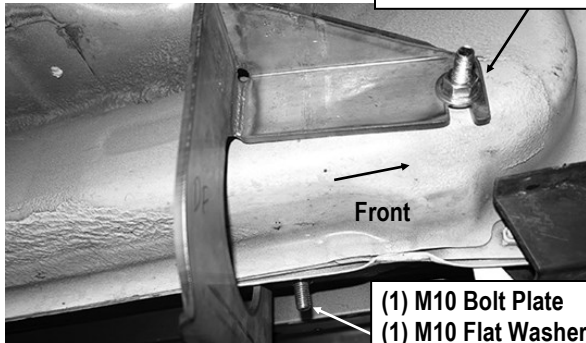
STEP 10

Move to the Driver side of the vehicle (**Fig 18**). Repeat **Steps 2-4** to install the driver side (2) Mounting Brackets. Do not fully tighten hardware at this time.



(Fig 18) Driver Side (2) Mounting Locations

- (1) M10 Bolt Plate
- (1) M10 Plastic Washer
- (1) M10 Flat Washer
- (1) M10X1.5 Nylon Lock Nut



- (1) M10 Bolt Plate
- (1) M10 Flat Washer
- (1) M10X1.5 Nylon Lock Nut

(Fig 19) Driver Front Mounting Bracket Installed

STEP 11

Select the Driver Side Step Bar (the Short one). Repeat **Step 8** to attach Step Bar to the (2) Brackets.

STEP 12

Level and adjust the Step Bar and fully tighten all hardware.
Installation completed.

Attention

Do periodic inspections to the installation to make sure that all hardware is secure and tight.

In order to protect your bars/boards, please use mild soap/non-abrasive products for cleaning only.