

iBoard®

iBoard® by APS

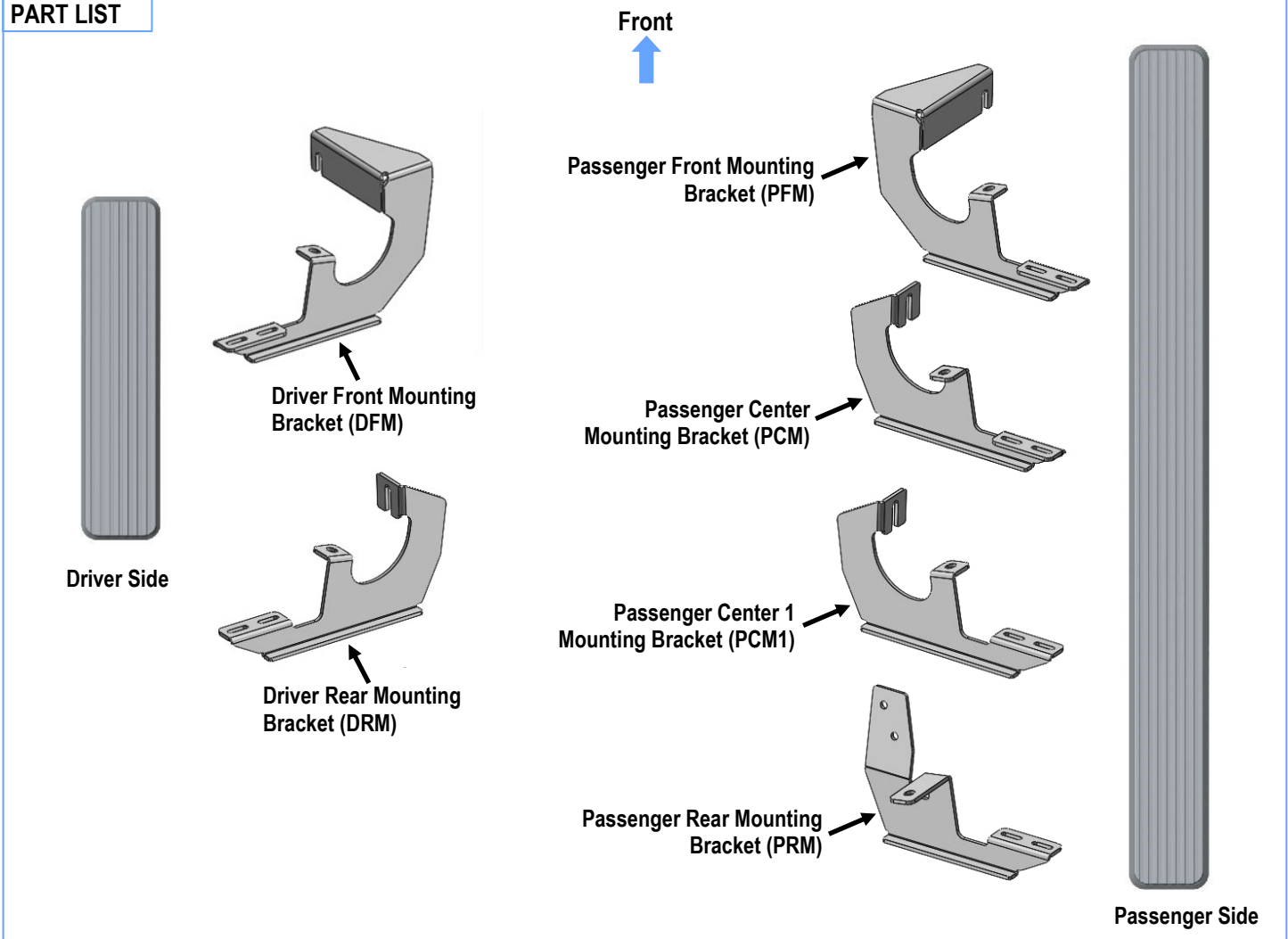
PART#: IB-407A-B

READ INSTRUCTIONS CAREFULLY BEFORE STARTING INSTALLATION. REMOVE CONTENTS FROM BOX AND VERIFY ALL PARTS ARE PRESENT. ASSISTANCE IS RECOMMENDED.

*ROCKER PANEL MOUNT
*DRILLING IS REQUIRED

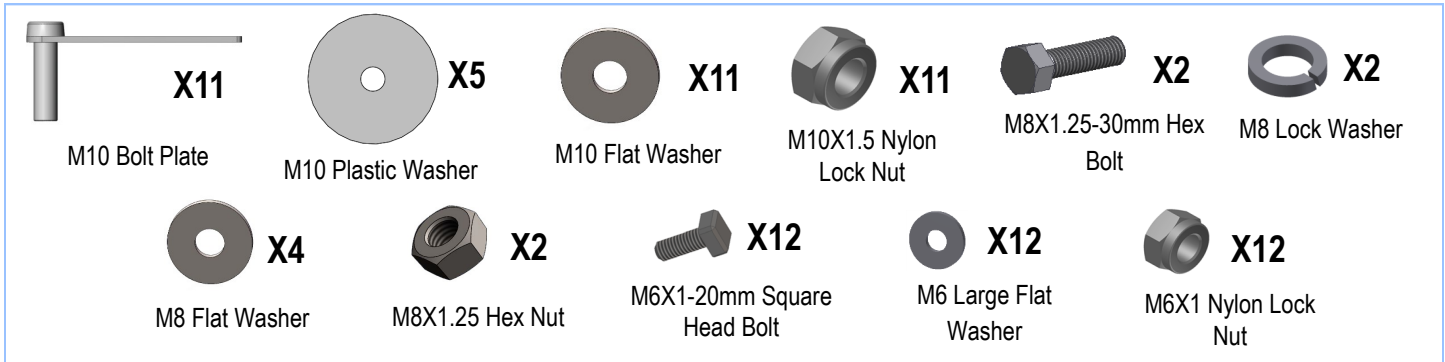
Fastener Size	Tightening Torque (ft-lbs)
6mm	6-7
8mm	16-18
10mm	31-32
12mm	56-58
14mm	92-94

PART LIST



Customer Support: info@iboardauto.com

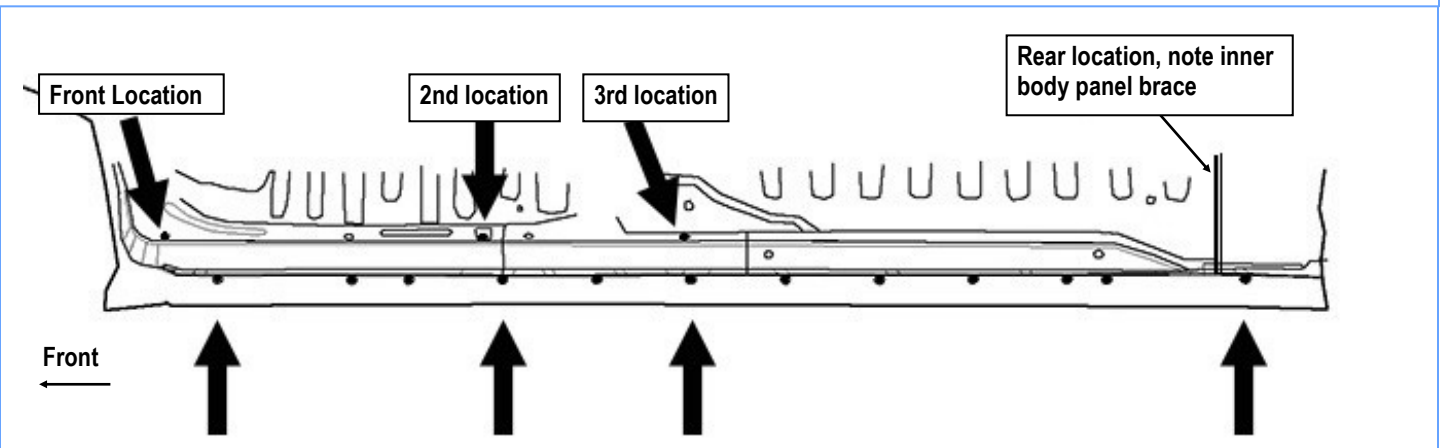
iBoard®



STEP 1

Starting installation on the passenger side of the vehicle. From the front wheel opening, locate the factory mounting holes along the bottom of the pinch weld and body panel, (Figs 1 & 3).

NOTE: Some mounting holes will be covered by plugs or tapes, remove if equipped.

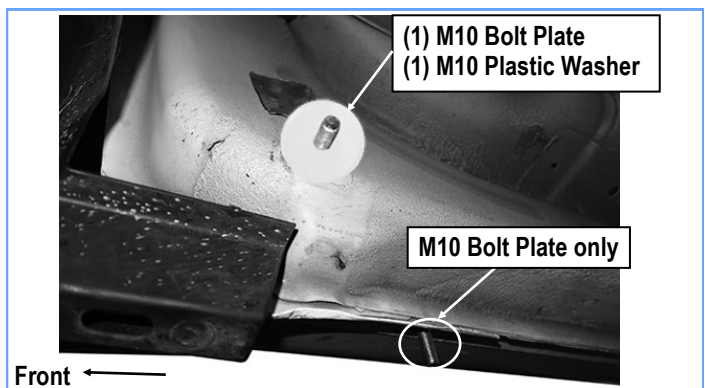


(Fig 1) Passenger Side Mounting Locations

STEP 2

Select (2) M10 Bolt Plates and (1) M10 Plastic Washer. Insert the (2) M10 Bolt Plates into the Passenger Side Front Mounting holes and thread (1) M10 Plastic Washer onto the upper Bolt Plate to hold the bolt plate in place, (Fig 2).

IMPORTANT: The Plastic Washer is designed to prevent the Bolt Plate from falling into the body panel and to aid in Bracket installation. Plastic Washers are not required for the Bolt Plates installed along the bottom of the outer body panel (outside of pinch weld).

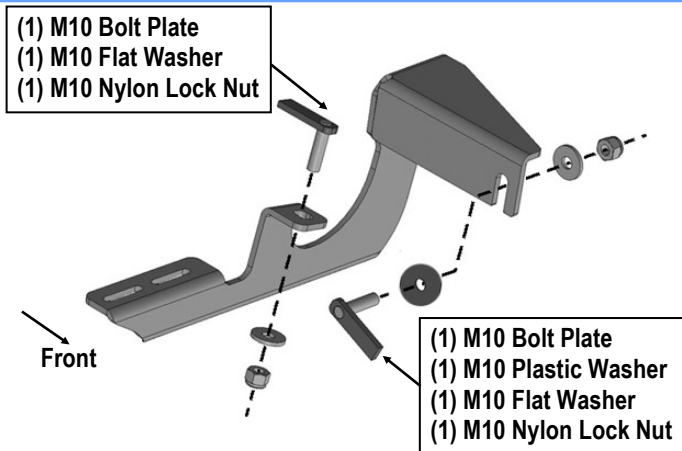


(Fig 2) Passenger Side Front Mounting Location

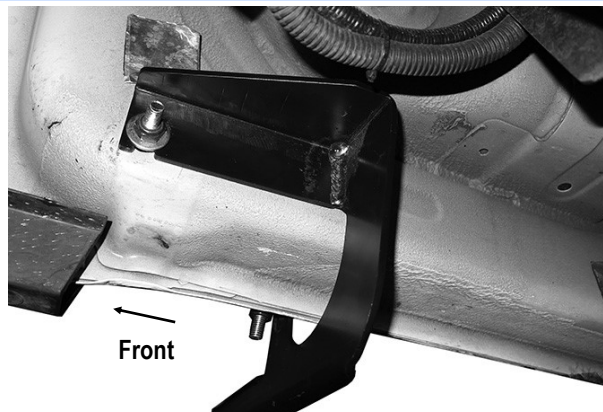
iBoard®

STEP 3

Select the Passenger Front Mounting Bracket (PFM). Attach the Passenger Front Mounting Bracket to the installed (2) M10 Bolt Plates with (2) M10 Flat Washers and (2) M10X1.5 Nylon Lock Nuts, (Figs 3 & 4). Do not fully tighten hardware at this time.



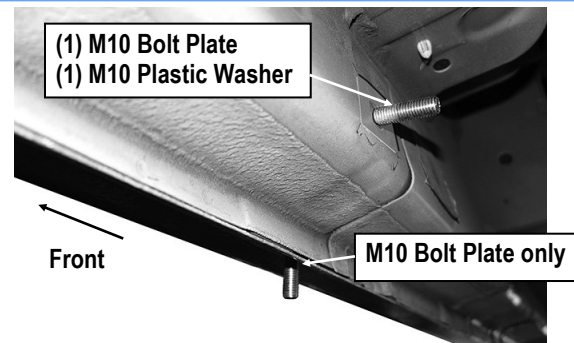
(Fig 3) Passenger Front Mounting Bracket Installed



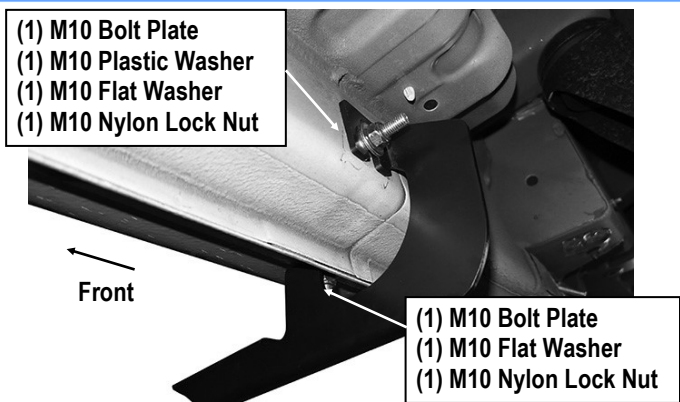
(Fig 4) Passenger Front Mounting Bracket Installed

STEP 4

Move to the Passenger Side Center Mounting Location, (Fig 5). Locate the hole in the bottom of the body panel and the hole in the inner side of the body panel. Repeat Steps 1—3 to install the Passenger Center Mounting Bracket (PCM), (Fig 6).



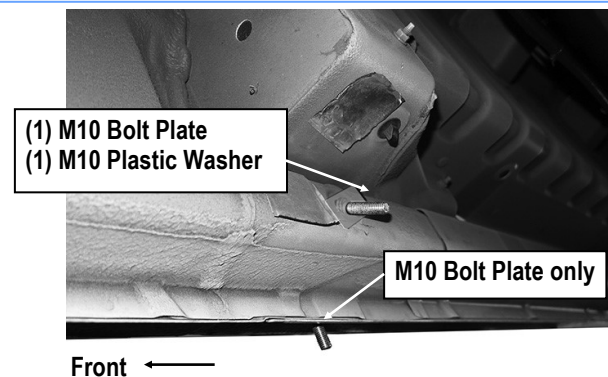
(Fig 5) Passenger Side Center Mounting Location



(Fig 6) Passenger Center Mounting Bracket Installed

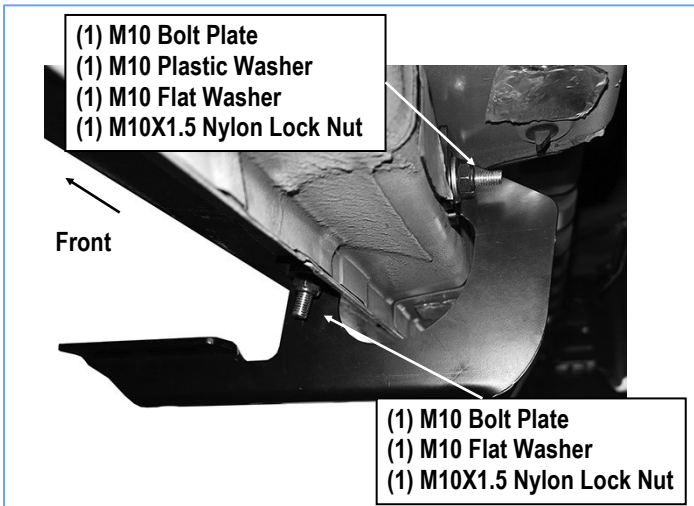
STEP 5

Move to the 3rd mounting location beneath the front of the sliding door, (Fig 7). Repeat Steps 1—3 to install the Passenger Center 1 Mounting Bracket (PCM1), (Fig 8).



(Fig 7) Passenger Center 1 Mounting Location

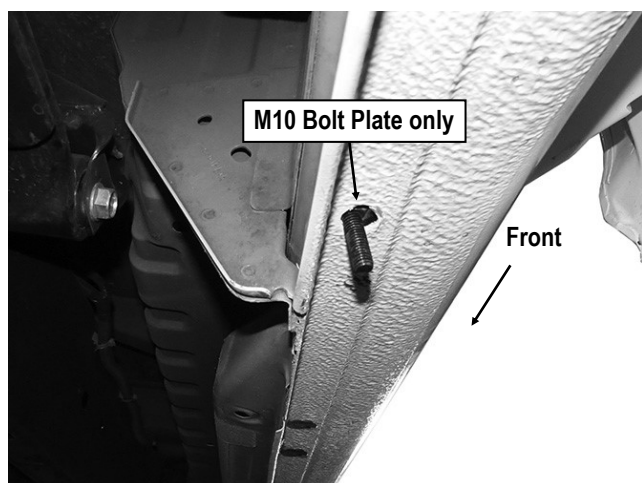
iBoard®



(Fig 8) Passenger Center 1 Mounting Bracket Installed

STEP 6

Locate the Passenger Side Rear Mounting Location along the bottom of the body, (Fig 9). Insert (1) M10 Bolt Plate at the bottom of the body panel. Attach the Passenger Rear Mounting Bracket to the installed M10 Bolt Plate with (1) M10 Flat Washer and (1) M10 Nylon Lock Nut, (Fig 14). Line up the mounting plate on the Bracket with the front facing side of the inner body brace, (Fig 12). Do not fully tighten hardware.



(Fig 9) Passenger Rear Mounting Bracket Location

STEP 7

Select the long passenger side Running Board. Slip (4) M6x1-20mm Square Head Bolts into each bottom channel, (Fig 10). Carefully position the Running Board onto the (4) Mounting Brackets.

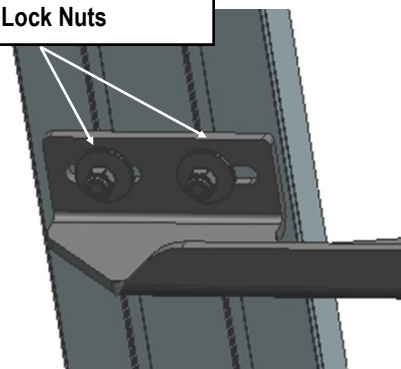
IMPORTANT: Do not slide the Running Board on the Brackets or the bottom surface of the board will be damaged. Attach the Running Board to each Mounting Bracket with (2) M6x1-20mm Square Head Bolts, (2) M6 Large Flat Washers and (2) M6X1 Nylon Lock Nuts, (Fig 11). Do not fully tighten hardware at this time.

Level and adjust the Running Board and fully tighten the Bracket to vehicle hardware only.



(Fig 10) Slip M6X1-20mm Square Head Bolts Into The Bottom Channels

- (2) M6X1-20mm Square Head Bolts
- (2) M6 Large Flat Washers
- (2) M6X1 Nylon Lock Nuts



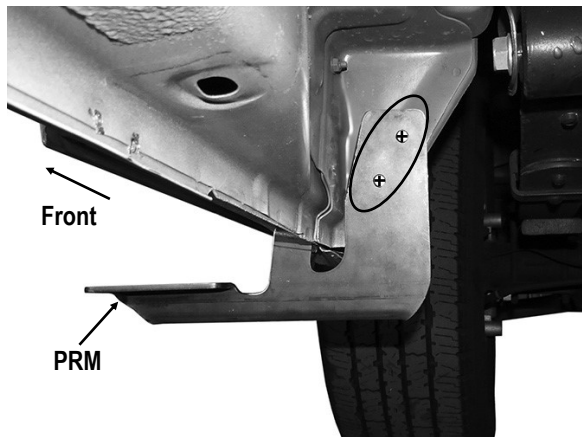
(Fig 11) Running Board Installed Onto Mounting Bracket (Example)

iBoard®

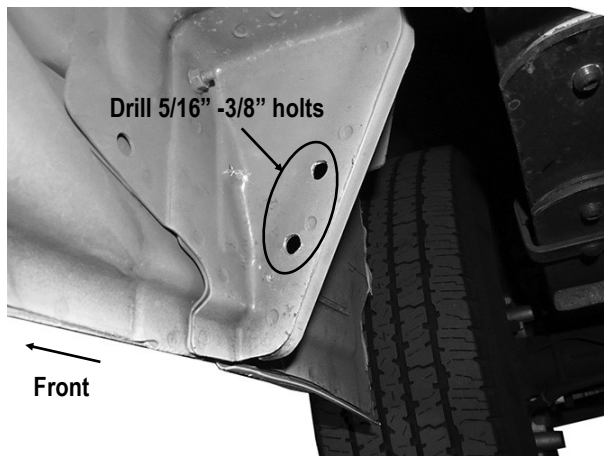
STEP 8

Back to the Passenger Rear Mounting Bracket (**PRM**). With the Running Board level, mark the location of the (2) mounting holes on the Bracket onto the inner body brace, (**Fig 12**). Temporarily remove the Bracket only. Drill (2) 5/16" or 3/8" max holes through the marked locations, (**Fig 13**).

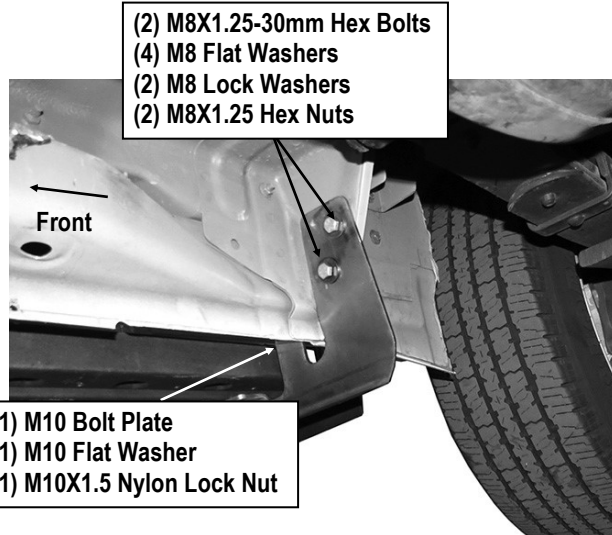
Reinstall the Bracket. Attach Bracket to inner body brace with the included (2) M8X1.25-30mm Hex Bolts, (4) M8 Flat Washers, (2) M8 Lock Washers and (2) M8X1.25 Hex Nuts, (**Fig 14**). Check Running Board for level, adjust as necessary and fully tighten all hardware.



(Fig 12) Mark the Location Of the (2) Mounting Holes



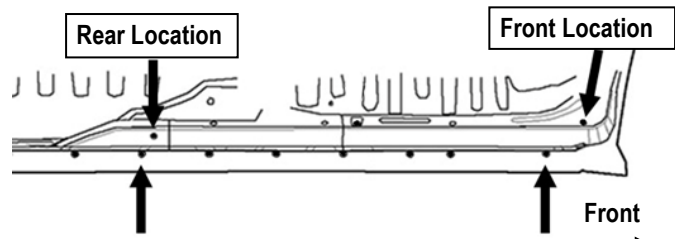
(Fig 13) Drill Holes on Passenger Side Rear Mounting Location



(Fig 14) Passenger Rear Mounting Bracket Complete Installation

STEP 9

Move to the Driver side of the vehicle (**Fig 15**). Repeat **Steps 1-3** to install the driver side (2) Mounting Brackets, (**Fig 16**). Do not fully tighten hardware at this time.



(Fig 15) Driver Side (2) Mounting Locations

iBoard®

STEP 11

Level and adjust the Running Board and fully tighten all hardware.

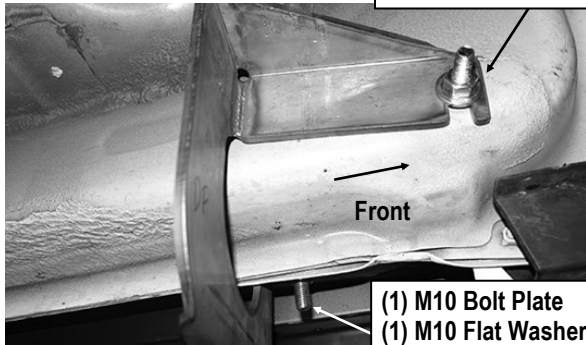
Installation completed.

Attention

Do periodic inspections to the installation to make sure that all hardware is secure and tight.

In order to protect your bars/boards, please use only mild soap/non-abrasive products for cleaning.

- (1) M10 Bolt Plate
- (1) M10 Plastic Washer
- (1) M10 Flat Washer
- (1) M10X1.5 Nylon Lock Nut



- (1) M10 Bolt Plate
- (1) M10 Flat Washer
- (1) M10X1.5 Nylon Lock Nut

(Fig 16) Driver Front Mounting Bracket Installation

STEP 10

Select the Driver Side Running Board (the Short one). Repeat **Step 7** to attach Running Board to the (2) Brackets.