

# iBoard®

## iBoard® by APS

PART#: IB-369

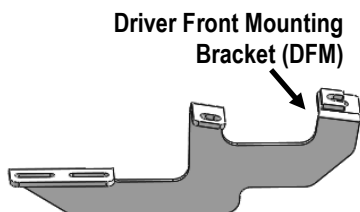
READ INSTRUCTIONS CAREFULLY BEFORE STARTING INSTALLATION. REMOVE CONTENTS FROM BOX AND VERIFY ALL PARTS ARE PRESENT. ASSISTANCE IS RECOMMENDED.

\*ROCKER PANEL MOUNT

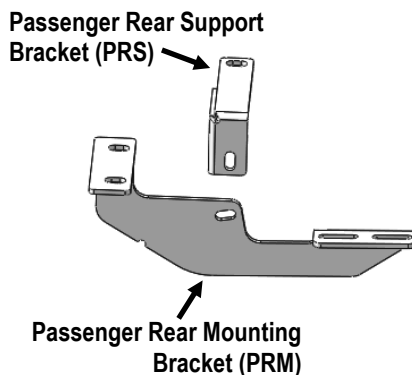
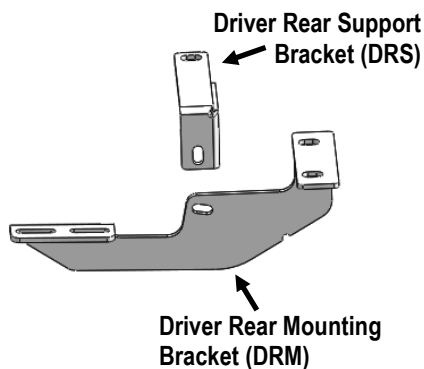
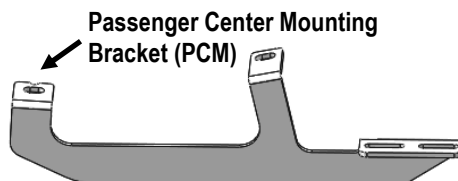
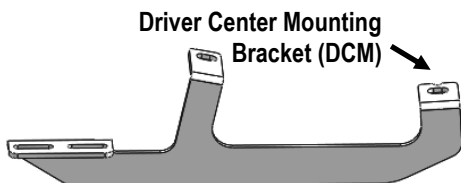
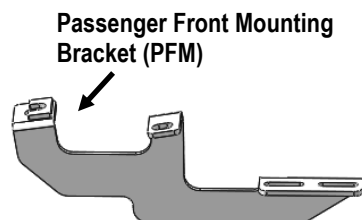
\*NO DRILLING REQUIRED/ CUTTING IS REQUIRED

Fastener Size	Tightening Torque (ft-lbs)	Required
6mm	6-7	√
8mm	16-18	√
10mm	31-32	√
12mm	56-58	X
14mm	92-94	X

### PART LIST



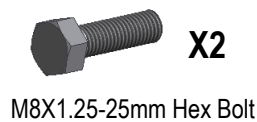
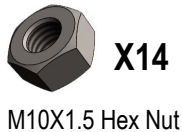
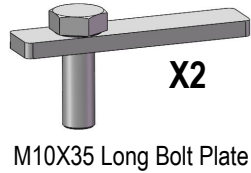
Front  
↑



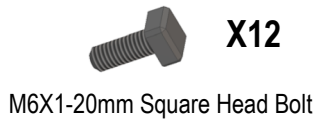
Customer Support: [info@iboardauto.com](mailto:info@iboardauto.com)

# iBoard®

## Hardware Package A (For Bracket Installation)



## Hardware Package B (For Aluminum Step Bar Installation Only, Not Supply to Stainless Steel Step Bar)

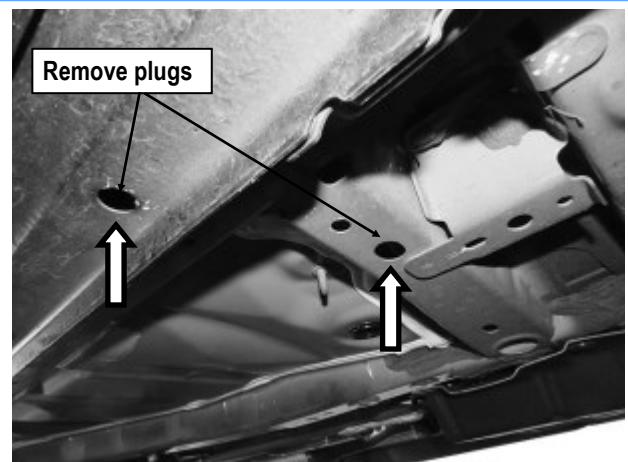


## Hardware Package C (For Stainless Steel Step Bar Installation Only, Not Supply to Aluminum Step Bar)



## STEP 1

Start the installation from the Passenger Side Front Mounting Location of the vehicle. Locate and remove the plastic covers at the bottom of the vehicle, (Fig 17). Remove the plugs covering the mounting holes on the mounting location, (Fig 1).

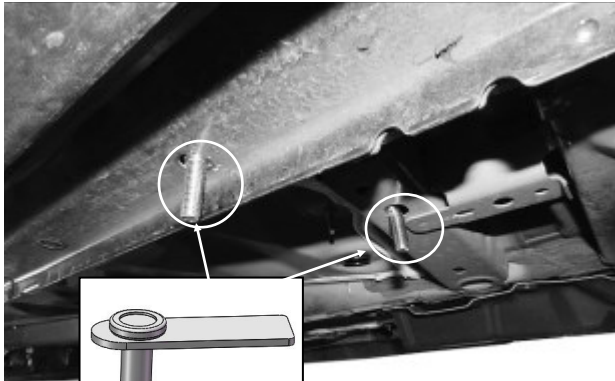


(Fig 1) Passenger Side Front Mounting Location

# iBoard®

## STEP 2

Insert (2) M10X35 Bolt Plates into the (2) mounting holes, (Figs 1, 2).



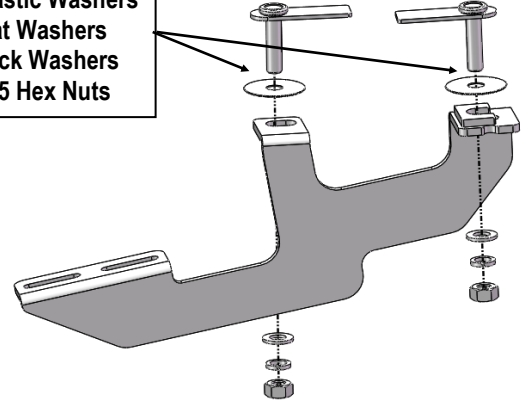
M10X35 Bolt Plate

(Fig 2) Insert (2) M10X35 Bolt Plates (Passenger Side Front Mounting Location)

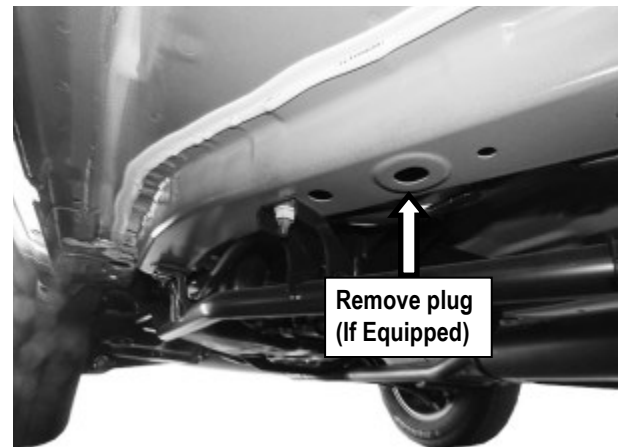
## STEP 3

Select the Passenger Front Mounting Bracket (PFM), attach the Bracket to the installed M10X35 Bolt Plates with (2) M10 Plastic Washers, (2) M10 Flat Washers, (2) M10 Lock Washers and (2) M10X1.5 Hex Nuts, (Fig 3). Do not fully tighten at this time.

- (2) M10X35 Bolt Plates
- (2) M10 Plastic Washers
- (2) M10 Flat Washers
- (2) M10 Lock Washers
- (2) M10X1.5 Hex Nuts



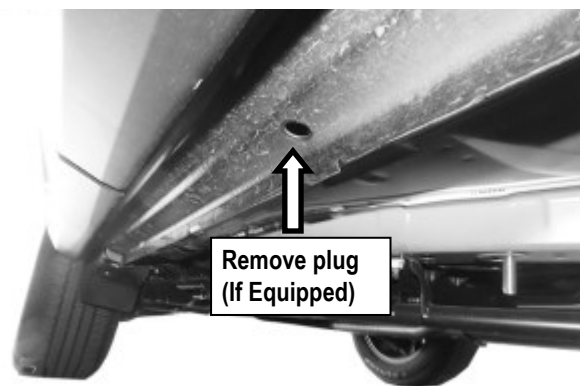
(Fig 3) Passenger Front Mounting Bracket Installation



(Fig 4) Passenger Side Center Mounting Location

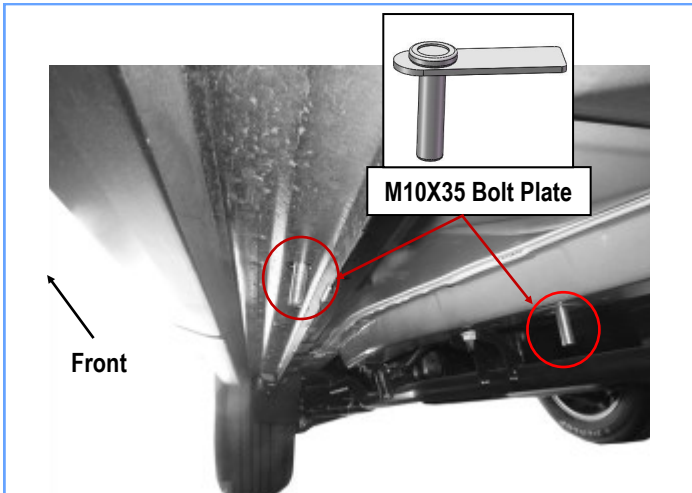
## STEP 4

Move to the Passenger Side Center Mounting Location, (Figs 4 -6). Repeat Steps 1—3 to attach the Passenger Center Mounting Bracket to the center mounting location, (Fig 7). Do not fully tighten at this time.

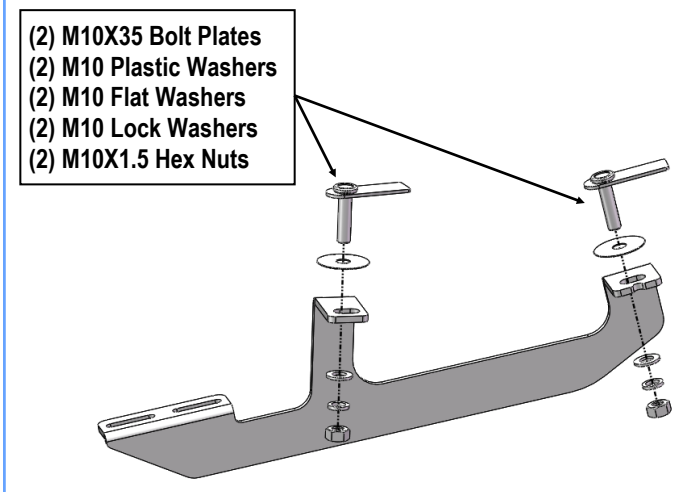


(Fig 5) Passenger Side Center Mounting Location

# iBoard®



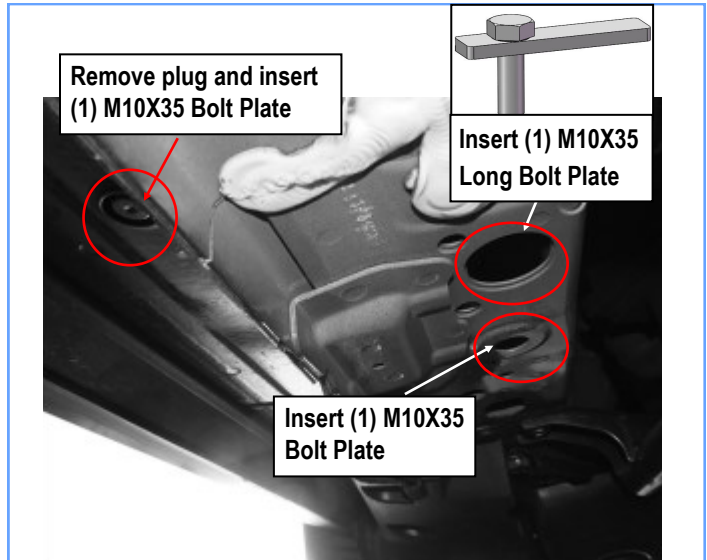
(Fig 6) Insert (2) M10X35 Bolt Plates  
(Passenger Side Center Mounting Location)



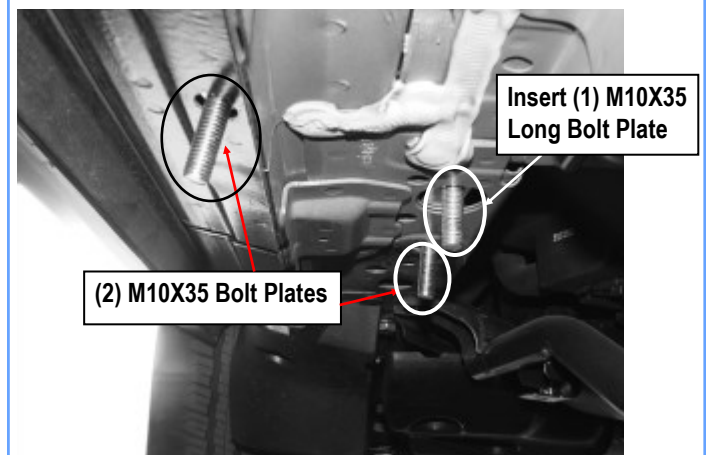
(Fig 7) Passenger Center Mounting Bracket Installation

## STEP 5

Move to the Passenger Side Rear Mounting Location, (Fig 8). Insert (1) M10X35 Long Bolt Plate into the large hole in the floor panel, (Fig 9). Insert (2) M10X35 Bolt Plates into the smaller holes beside the M10X35 Long Bolt Plate, (Fig 9).



(Fig 8) Passenger Side Rear Mounting Location

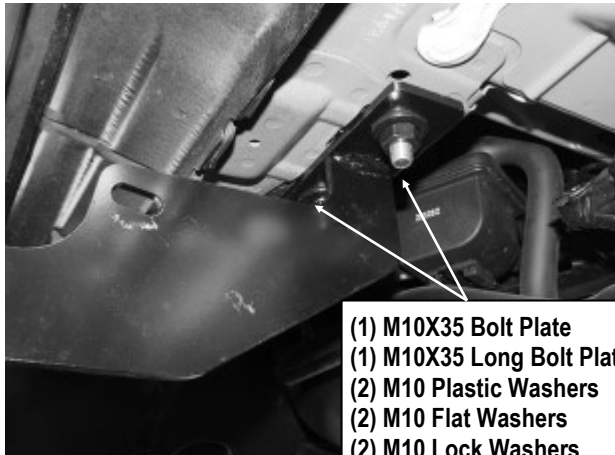


(Fig 9) Passenger Side Rear Mounting Location

## STEP 6

Select the Passenger Rear Mounting Bracket (PRM), attach the Bracket to the installed M10X35 Bolt Plate and M10X35 Long Bolt Plate with (2) M10 Plastic Washers, (2) M10 Flat Washers, (2) M10 Lock Washers and (2) M10X1.5 Hex Nuts, (Fig 10). Do not fully tighten at this time.

# iBoard®



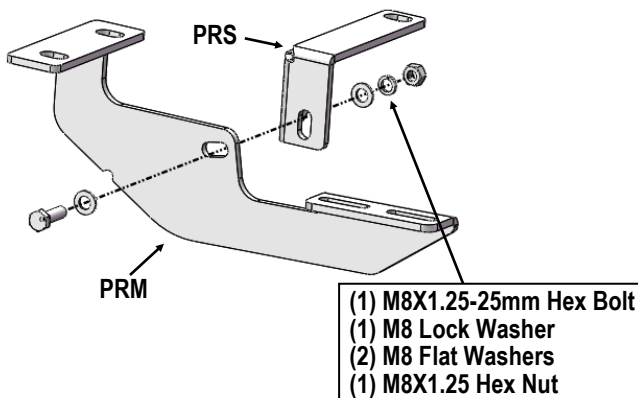
- (1) M10X35 Bolt Plate
- (1) M10X35 Long Bolt Plate
- (2) M10 Plastic Washers
- (2) M10 Flat Washers
- (2) M10 Lock Washers
- (2) M10X1.5 Hex Nuts

(Fig 10) Passenger Rear Mounting Bracket Installation

## STEP 7

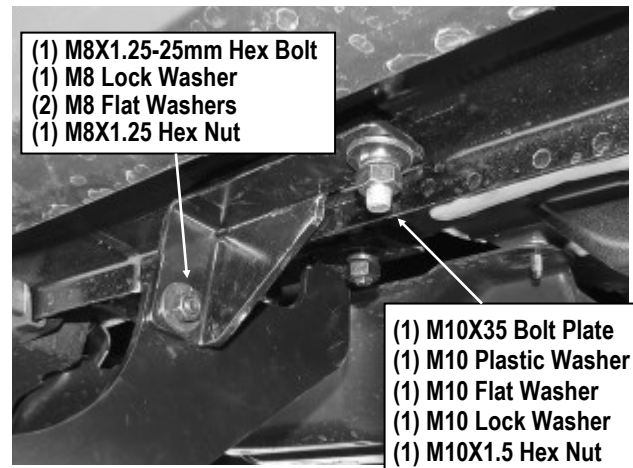
Select the Passenger Rear Support Bracket (**PRS**), secure the Passenger Rear Support Bracket (**PRS**) to the Passenger Rear Mounting Bracket (**PRM**) with (1) M8X1.25-25mm Hex Bolt, (2) M8 Large Flat Washers, (1) M8 Lock Washer and (1) M8X1.25 Hex Nut, (**Figs 11 & 12**). Do not fully tighten at this time.

Attach the other side of the support bracket to the installed M10X35 Bolt Plate with (1) M10 Plastic Washer, (1) M10 Flat Washer, (1) M10 Lock Washer and (1) M10X1.5 Hex Nut, (**Fig 12**). Do not fully tighten at this time.



- (1) M8X1.25-25mm Hex Bolt
- (1) M8 Lock Washer
- (2) M8 Flat Washers
- (1) M8X1.25 Hex Nut

(Fig 11) Passenger Rear Support Bracket Assembly



- (1) M8X1.25-25mm Hex Bolt
- (1) M8 Lock Washer
- (2) M8 Flat Washers
- (1) M8X1.25 Hex Nut

- (1) M10X35 Bolt Plate
- (1) M10 Plastic Washer
- (1) M10 Flat Washer
- (1) M10 Lock Washer
- (1) M10X1.5 Hex Nut

(Fig 12) Passenger Rear Support Bracket Installation

## STEP 8

Once all (3) mounting brackets are installed, then proceed to the Step Bar installation. According to the style of Step Bar proceed to the correct installation STEPS.

**Note:** Aluminum Step Bar refer to STEP 9; Stainless Steel Step Bar skip to STEP 10.

## STEP 9

### Aluminum Step Bar Installation:

Select a **Aluminum Step Bar**. Slip (3) M6x1-20mm Square Head Bolts into each bottom channel (**Fig 13**). Carefully position the Step Bar onto the (3) Mounting Brackets.

**IMPORTANT:** Do not slide the Step Bar on the Brackets or the bottom surface of the board will be damaged. Attach the Step Bar to each Mounting Brackets with (2) M6x1-20mm Square Head Bolts, (2) M6 Large Flat Washers and (2) M6X1 Nylon Lock Nuts, (**Fig 14**). Do not fully tighten at this time.

Level and adjust the Step Bar and fully tighten all hardware. Repeat **Steps 1-9** for the other side Step Bar installation.



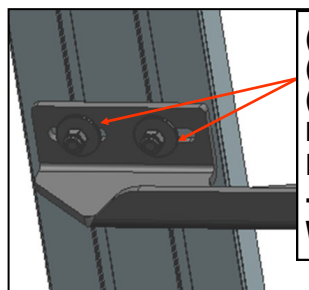
# iBoard®



(Fig 13) Slip M6X1-20mm Square Head Bolts Into The Bottom Channels



(Fig 15) Slide & line up the U-Slider with the installed mounting brackets along bottom channel



(2) M6X1-20mm Square Head Bolts  
(2) M6 Large Flat Washers  
(2) M6X1 Nylon Lock Nuts  
**IMPORTANT: TORQUE FOR 6MM FASTNERS MUST LESS THAN 6-7 FT-LBS OR THE FASTNERS WILL BE DAMAGED!**

(Fig 14) Running Board Installed Onto Mounting Bracket

(2) M6X1-20mm Hex Bolts  
(2) M6 Large Flat Washers  
(2) M6 Lock Washers  
**IMPORTANT: TORQUE FOR 6MM FASTNERS MUST LESS THAN 6-7 FT-LBS OR THE FASTNERS WILL BE DAMAGED!**



(Fig 16) Step Bar Installed on Bracket Installed (Example)

## STEP 10

### Stainless Steel Step Bar Installation:

Select a **Stainless Steel Step Bar** (with the U-Sliders installed on the Bar). Loose the U-Sliders, reposition the U-Sliders onto the board according to the (3) Installed Mounting Brackets location, (Fig 15). Re-secure the U-Sliders on the Step Bar. Attach the Step Bar to the installed Mounting Brackets with (6) M6X1-20mm Hex Bolts, (6) M6 Large Flat Washers & (6) M6 Lock Washers, (Fig 16). Do not fully tighten hardware at this time. Level and adjust the Step Bar and fully tighten all hardware. Repeat **Steps 1-8 and 10** for the other side Step Bar installation.

## STEP 11

Line up the factory plastic covers up to the original mounting locations. Mark the Mounting Brackets positions on the cover. Cut the interference on the cover according to the marks of the brackets. Reinstall the plastic cover to the bottom of the vehicle, (Fig 17).

**The installation is completed.**

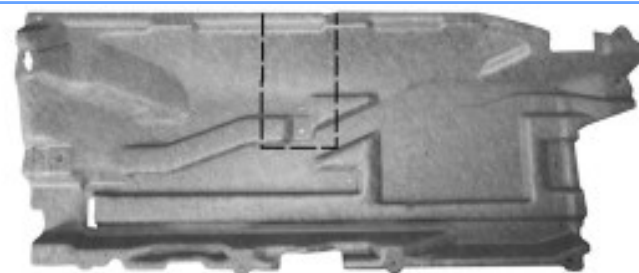


Fig 17

### Attention

Do periodic inspections to the installation to make sure that all hardware is secure and tight. In order to protect your bars/boards, please use only mild soap/non-abrasive products for cleaning.