



iBoard® by APS

PART#: IB-369C&H

READ INSTRUCTIONS CAREFULLY BEFORE STARTING INSTALLATION. REMOVE CONTENTS FROM BOX AND VERIFY ALL PARTS ARE PRESENT. ASSISTANCE IS RECOMMENDED.

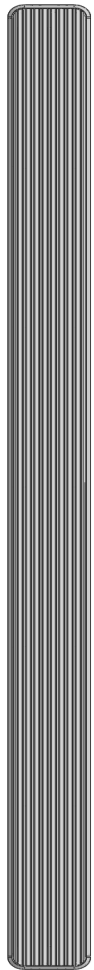
*ROCKER PANEL MOUNT

*NO DRILLING REQUIRED/ CUTTING IS REQUIRED

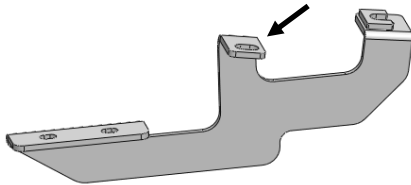
Fastener Size	Tightening Torque (ft-lbs)	Required
6mm	6-7	X
8mm	16-18	√
10mm	31-32	√
12mm	56-58	X
14mm	92-94	X

PART LIST

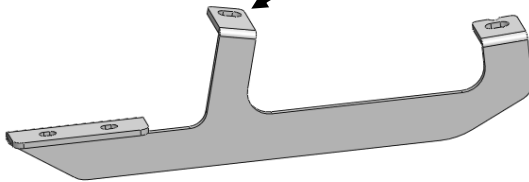
Driver Side Step Bar



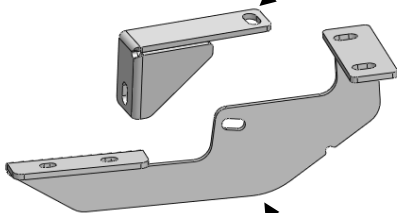
Driver Front Mounting Bracket (DFM)



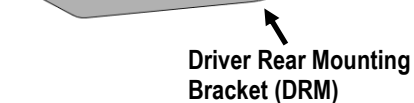
Driver Center Mounting Bracket (DCM)



Driver Rear Support Bracket (DRS)



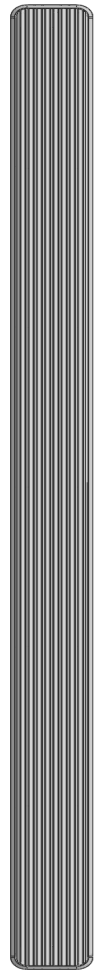
Driver Rear Mounting Bracket (DRM)



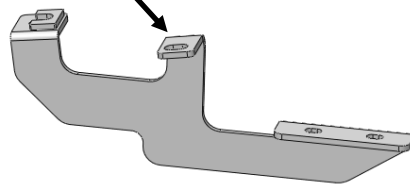
Front



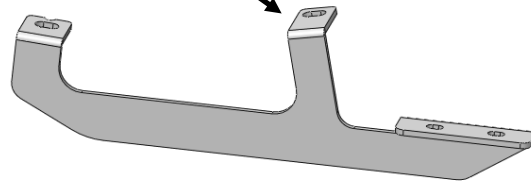
Passenger Side Step Bar



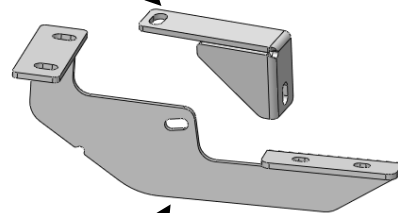
Passenger Front Mounting Bracket (PFM)



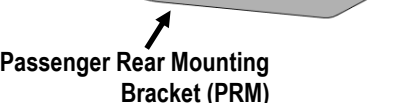
Passenger Center Mounting Bracket (PCM)



Passenger Rear Support Bracket (PRS)



Passenger Rear Mounting Bracket (PRM)





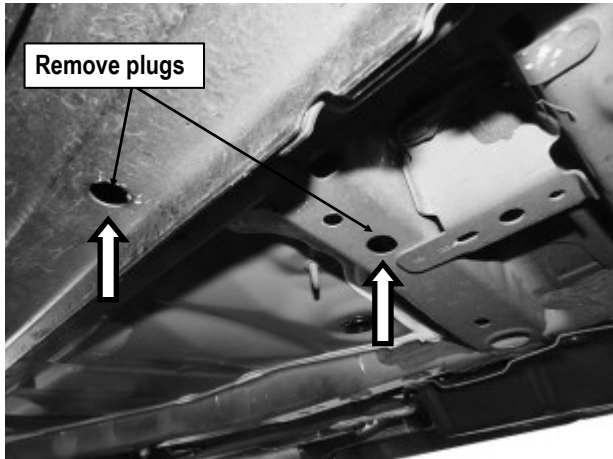
Hardware Package A (For Bracket Installation)					
Item	QTY	Description	Item	QTY	Description
1#	12	M10X35 Bolt Plates	6#	14	M10X1.5 Hex Nuts
2#	2	M10X35 Long Bolt Plates	7#	2	M8X1.25-25mm Hex Bolts
3#	14	M10 Plastic Washers	8#	4	M8 Flat Washers
4#	14	M10 Flat Washers	9#	2	M8 Lock Washers
5#	14	M10 Lock Washers	10#	2	M8X1.25 Hex Nuts

Hardware Package B (For Stainless Steel Step Bar Installation)					
Item	QTY	Description	Item	QTY	Description
1#	12	M8X1.25-35mm Carriage Bolts	3#	12	M8 Nylon Lock Nuts
2#	12	M8 Large Flat Washers	4#	6	Sliders (Packed with Step Bars)



STEP 1

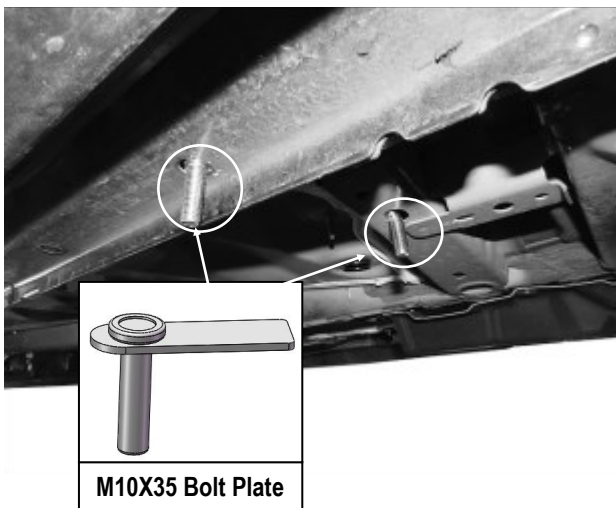
Start the installation from the Passenger Side Front Mounting Location of the vehicle. Locate and remove the plastic covers at the bottom of the vehicle, (**Fig 17**). Remove the plugs covering the mounting holes on the mounting location, (**Fig 1**).



(Fig 1) Passenger Side Front Mounting Location

STEP 2

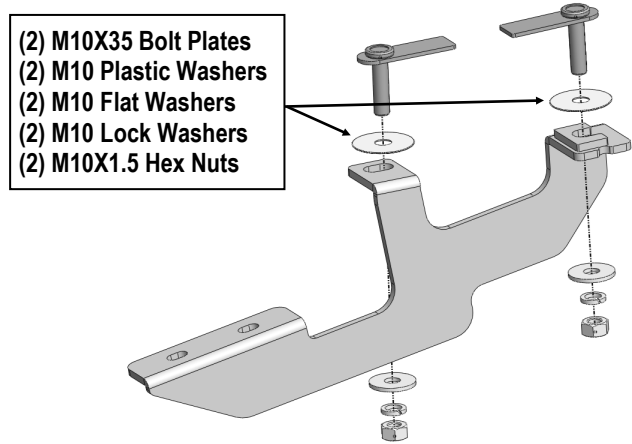
Insert (2) M10X35 Bolt Plates into the (2) mounting holes, (**Figs 1, 2**).



(Fig 2) Insert (2) M10X35 Bolt Plates
(Passenger Side Front Mounting Location)

STEP 3

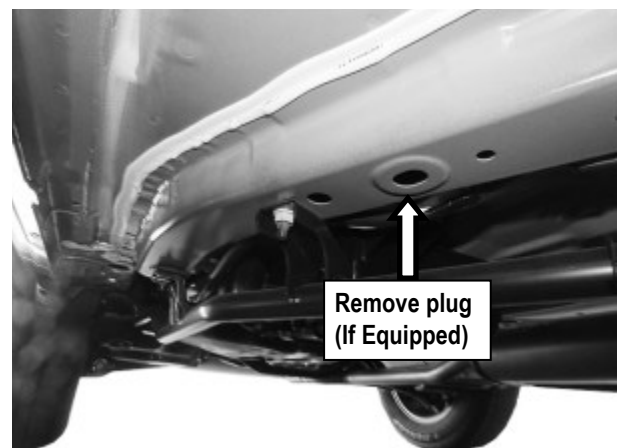
Select the Passenger Front Mounting Bracket (**PFM**), attach the Bracket to the installed M10X35 Bolt Plates with (2) M10 Plastic Washers, (2) M10 Flat Washers, (2) M10 Lock Washers and (2) M10X1.5 Hex Nuts, (**Fig 3**). Do not fully tighten at this time.



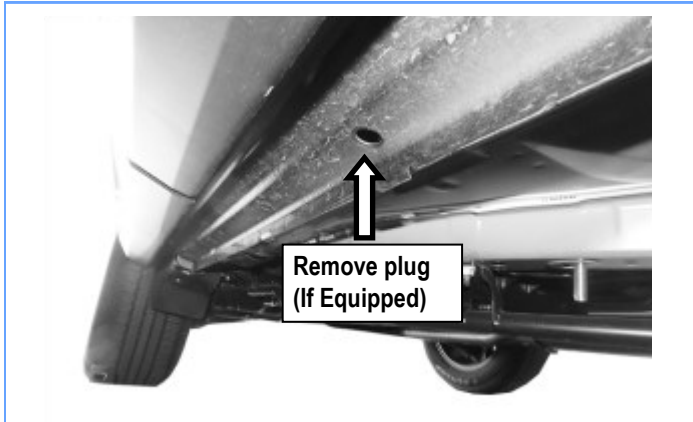
(Fig 3) Passenger Front Mounting Bracket Installation

STEP 4

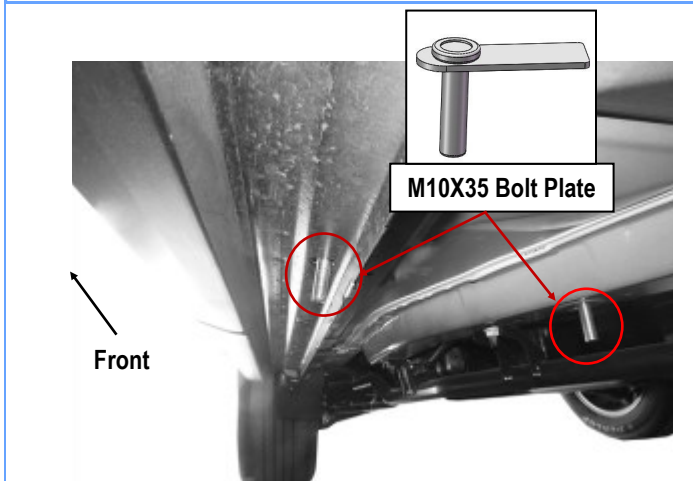
Move to the Passenger Side Center Mounting Location, (**Figs 4-6**). Repeat **Steps 1—3** to attach the Passenger Center Mounting Bracket to the center mounting location, (**Fig 7**). Do not fully tighten at this time.



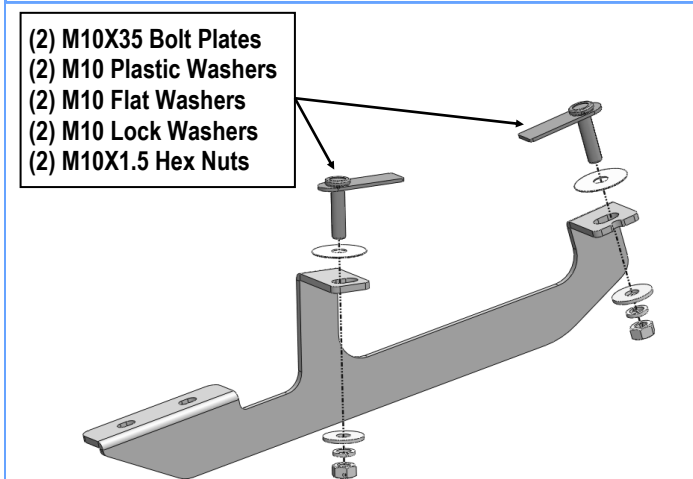
(Fig 4) Passenger Side Center Mounting Location



(Fig 5) Passenger Side Center Mounting Location



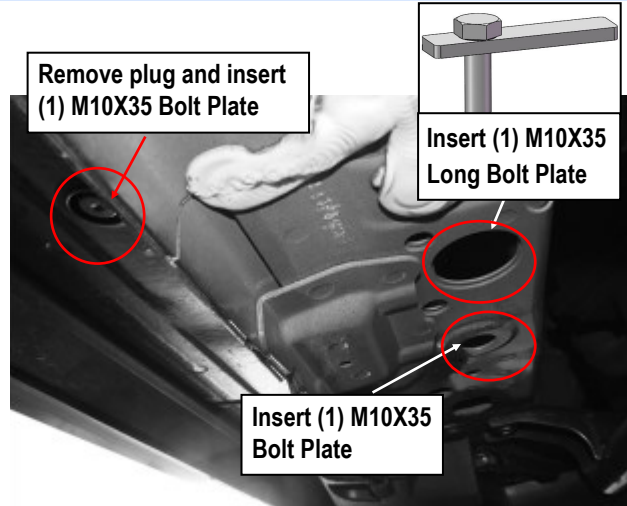
(Fig 6) Insert (2) M10X35 Bolt Plates
(Passenger Side Center Mounting Location)



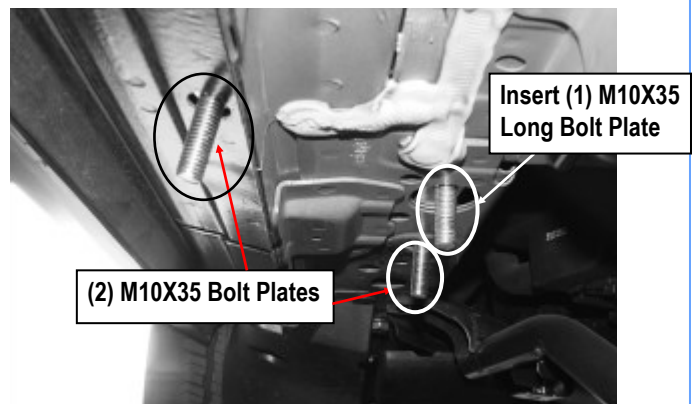
(Fig 7) Passenger Center Mounting Bracket Installation

STEP 5

Move to the Passenger Side Rear Mounting Location, (Fig 8). Insert (1) M10X35 Long Bolt Plate into the large hole in the floor panel, (Fig 9). Insert (2) M10X35 Bolt Plates into the smaller holes beside the M10X35 Long Bolt Plate, (Fig 9).



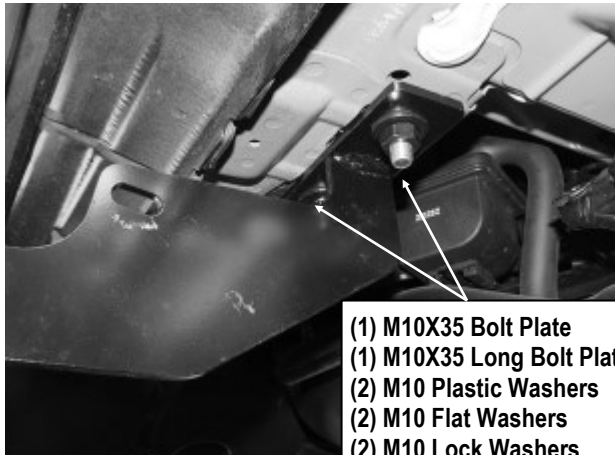
(Fig 8) Passenger Side Rear Mounting Location



(Fig 9) Passenger Side Rear Mounting Location

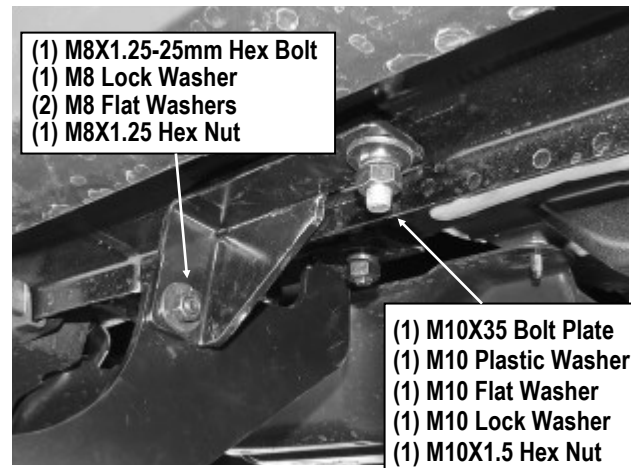
STEP 6

Select the Passenger Rear Mounting Bracket (PRM), attach the Bracket to the installed M10X35 Bolt Plate and M10X35 Long Bolt Plate with (2) M10 Plastic Washers, (2) M10 Flat Washers, (2) M10 Lock Washers and (2) M10X1.5 Hex Nuts, (Fig 10). Do not fully tighten at this time.



- (1) M10X35 Bolt Plate
- (1) M10X35 Long Bolt Plate
- (2) M10 Plastic Washers
- (2) M10 Flat Washers
- (2) M10 Lock Washers
- (2) M10X1.5 Hex Nuts

(Fig 10) Passenger Rear Mounting Bracket Installation



- (1) M8X1.25-25mm Hex Bolt
- (1) M8 Lock Washer
- (2) M8 Flat Washers
- (1) M8X1.25 Hex Nut

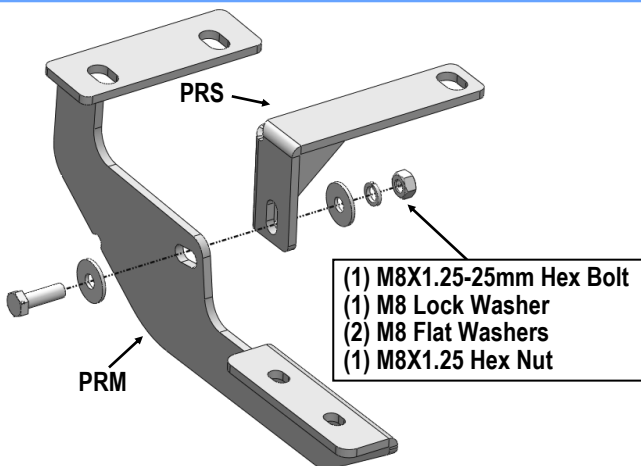
- (1) M10X35 Bolt Plate
- (1) M10 Plastic Washer
- (1) M10 Flat Washer
- (1) M10 Lock Washer
- (1) M10X1.5 Hex Nut

(Fig 12) Passenger Rear Support Bracket Installation

STEP 7

Select the Passenger Rear Support Bracket (**PRS**), secure the Passenger Rear Support Bracket (**PRS**) to the Passenger Rear Mounting Bracket (**PRM**) with (1) M8X1.25-25mm Hex Bolt, (2) M8 Large Flat Washers, (1) M8 Lock Washer and (1) M8X1.25 Hex Nut, (**Figs 11 & 12**). Do not fully tighten at this time.

Attach the other side of the support bracket to the installed M10X35 Bolt Plate with (1) M10 Plastic Washer, (1) M10 Flat Washer, (1) M10 Lock Washer and (1) M10X1.5 Hex Nut, (**Fig 12**). Do not fully tighten at this time.



- (1) M8X1.25-25mm Hex Bolt
- (1) M8 Lock Washer
- (2) M8 Flat Washers
- (1) M8X1.25 Hex Nut

(Fig 11) Passenger Rear Support Bracket Assembly

STEP 8

Once all (3) Passenger side mounting brackets are installed, then proceed to the Step Bar installation. (**Figs 13 & 14**)

- (1) Select (1) Slider and (2) M8X1.25-35mm Carriage Bolts;
- (2) Install (2) M8X1.25-35mm Carriage Bolts in (1) Slider.
- (3) Slide the Slider (with carriage bolts) to the **Step Bar**.
- (4) Repeat to install the other (2) sliders to the step bar.
- (5) Attach the Step Bar (with the Sliders) onto the installed mounting brackets. Position the Sliders to the installed brackets. Secure the Step Bar to the installed Brackets by using (6) M8 Large Flat Washers and (6) M8 Nylon Lock Nuts and (3) Sliders, (**Fig 14**). Do not fully tighten hardware at this time.

Note: The Sliders are packed with the Step Bars.

Level and adjust the Step Bar and fully tighten all hardware.

STEP 9

Line up the factory plastic covers up to the original mounting locations. Mark the Mounting Brackets positions on the cover. Cut the interference on the cover according to the marks of the brackets. Reinstall the plastic cover to the bottom of the vehicle, (**Fig 15**). **The installation is completed.**

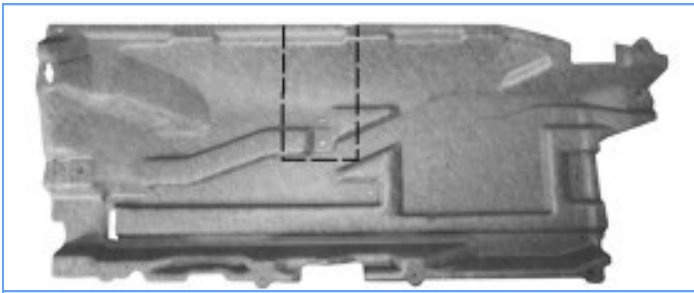
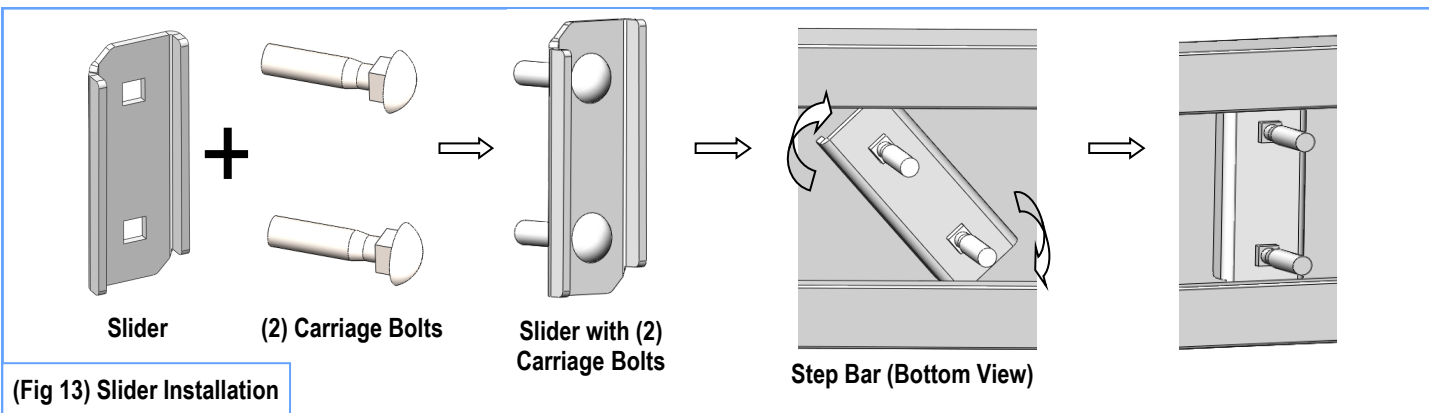


Fig 15

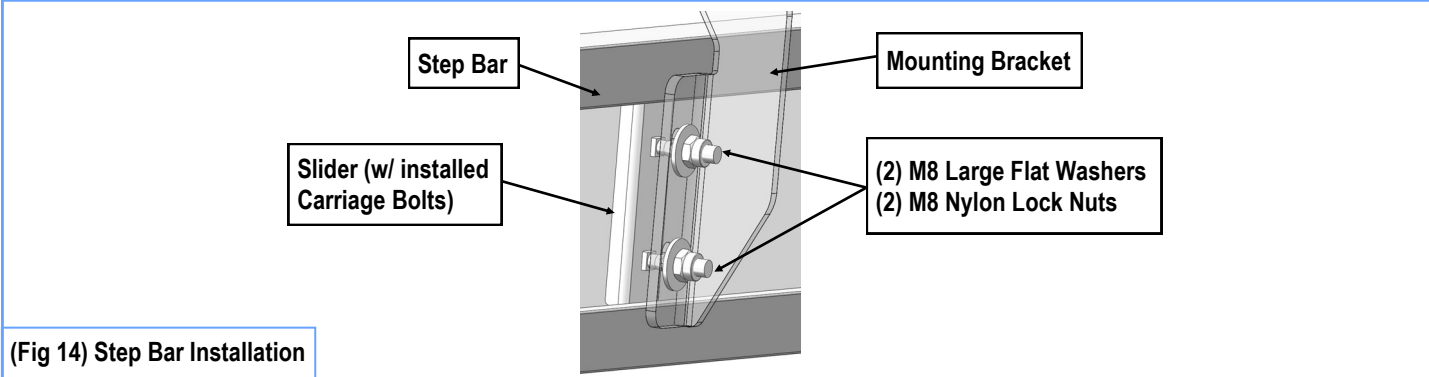
Attention

Do periodic inspections to the installation to make sure that all hardware is secure and tight.

In order to protect your bars/boards, please use mild soap/non-abrasive products for cleaning only.



(Fig 13) Slider Installation



(Fig 14) Step Bar Installation