

iBoard®



Scan for
Installation Video

iBoard® by APS

PART#: IB-269C&H

READ INSTRUCTIONS CAREFULLY BEFORE STARTING INSTALLATION. REMOVE CONTENTS FROM BOX AND VERIFY ALL PARTS ARE PRESENT. ASSISTANCE IS RECOMMENDED.

*ROCKER PANEL MOUNT

*DRILLING IS REQUIRED/ CUTTING IS REQUIRED

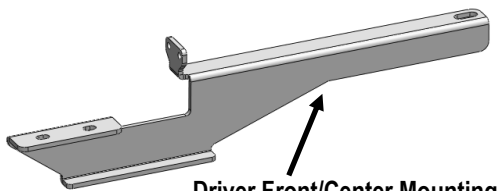
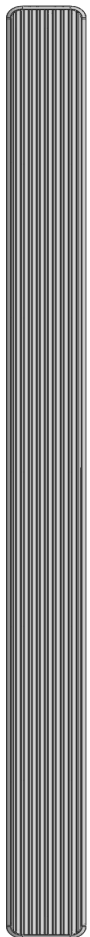
Fastener Size	Tightening Torque (ft-lbs)	Required
6mm	6-7	√
8mm	16-18	√
10mm	31-32	X
12mm	56-58	X
14mm	92-94	X

PART LIST

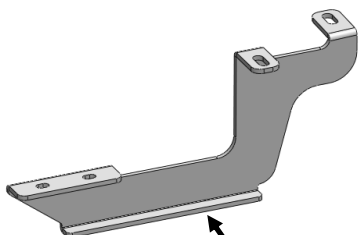
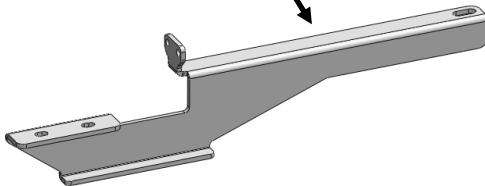
Driver Side Step Bar

Front
↑

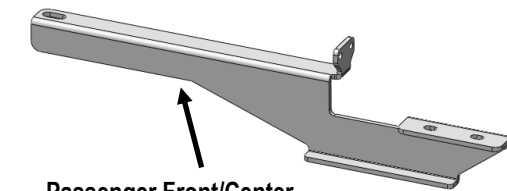
Passenger Side Step Bar



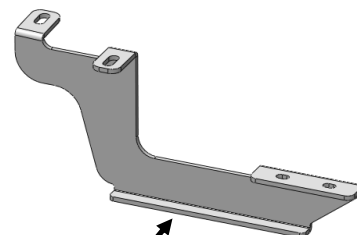
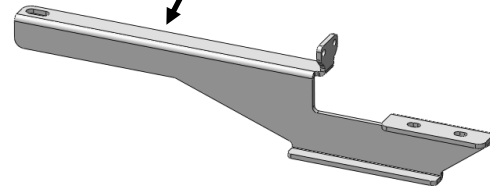
Driver Front/Center Mounting Bracket (DFM/DCM)



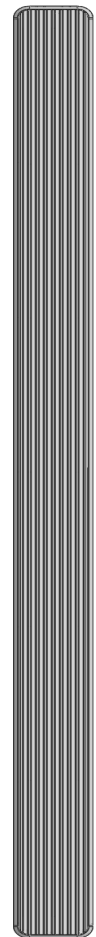
Driver Rear Mounting Bracket (DRM)



Passenger Front/Center Mounting Bracket (PFM/PCM)



Passenger Rear Mounting Bracket (PRM)

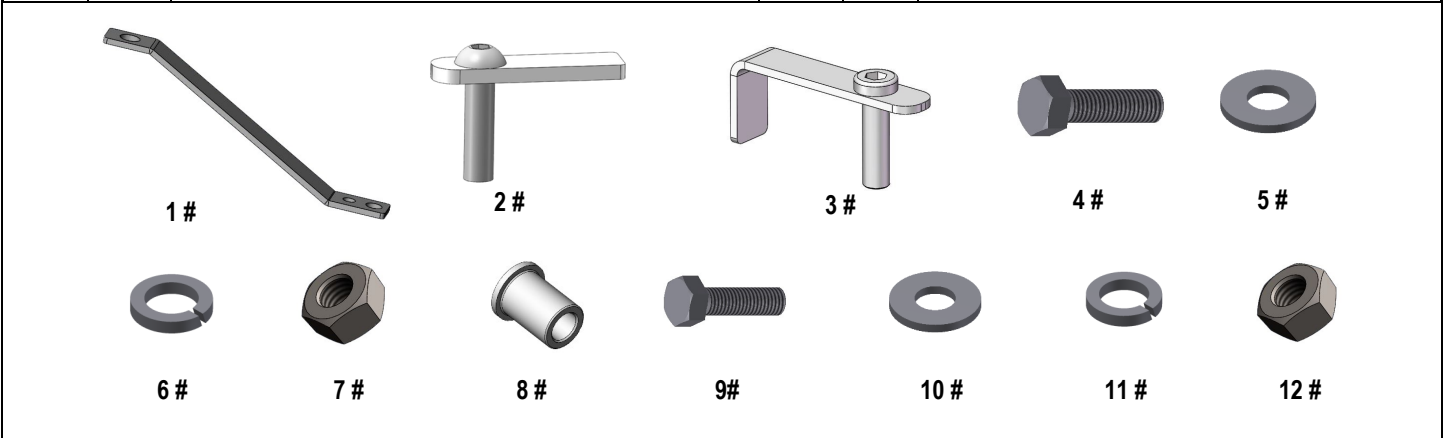


Customer Support: info@iboardauto.com



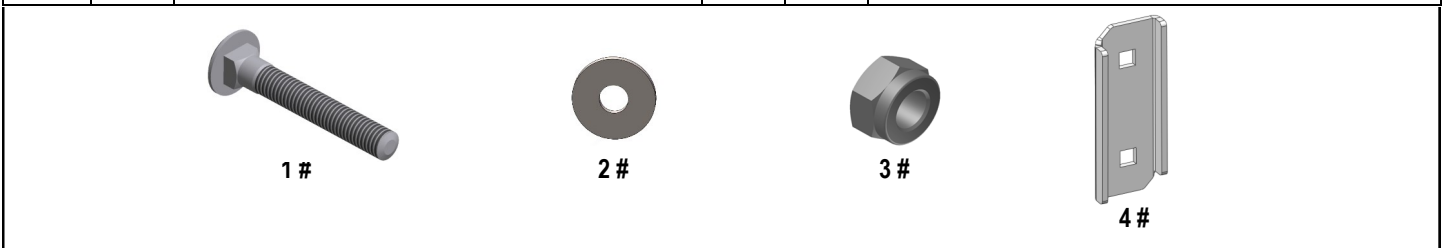
Hardware Package A (For Bracket Installation)

Item	QTY	Description	Item	QTY	Description
1#	1	Insert Installation Tool	7#	4	M8 Hex Nuts
2#	2	M8X40 Bolt Plates	8#	2	M8 Rivet Nuts
3#	2	M8X30 Bolt Plates	9#	8	M6X1-25mm Hex Bolts
4#	4	M8X1.25-25mm Hex Bolts	10#	16	M6 Flat Washers
5#	8	M8 Large Flat Washers	11#	8	M6 Lock Washers
6#	8	M8 Lock Washers	12#	8	M8 Hex Nuts



Hardware Package B (For Stainless Steel Step Bar Installation)

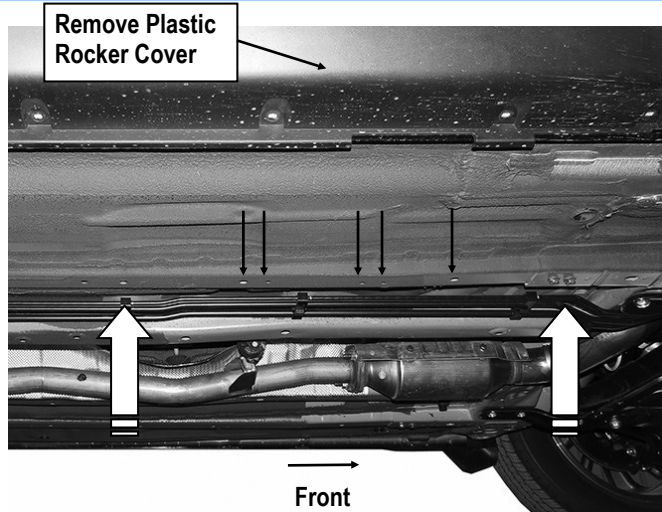
Item	QTY	Description	Item	QTY	Description
1#	12	M8X1.25-35mm Carriage Bolts	3#	12	M8 Nylon Lock Nuts
2#	12	M8 Large Flat Washers	4#	6	Sliders (Packed with Step Bars)





STEP 1

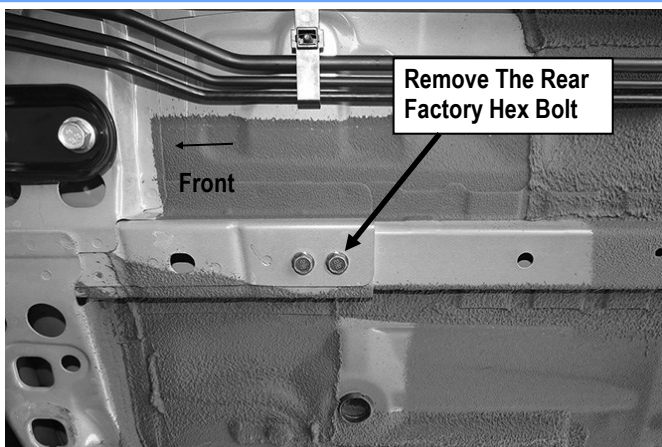
Start installation from the passenger side of the vehicle. Remove the plastic rocker panel cover from wheel opening to wheel opening, **(Fig 1)**. **NOTE:** Removal of the rocker panel cover is not mandatory but it is highly recommended.



(Fig 1) Passenger Side Mounting Locations

STEP 2

Locate the (2) factory hex bolts at the bottom of the inner frame channel, **(Fig 2)**. Remove the rear hex bolt if equipped, **(Fig 2)**. Do not remove the front hex bolt.



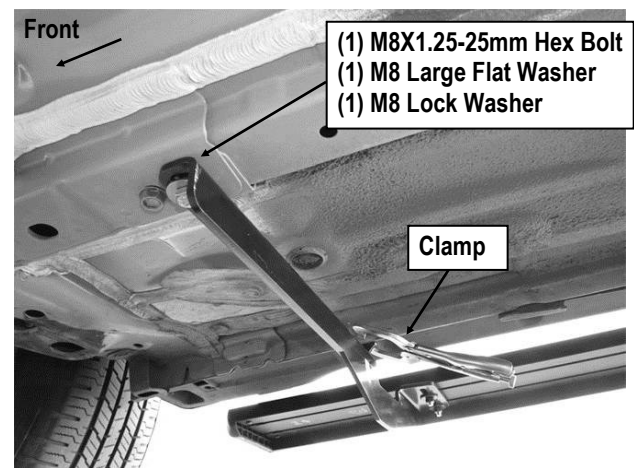
(Fig 2) Passenger Side Front Mounting Location

STEP 3

Select (1) Passenger Front Mounting Bracket (**PFM/PCM**). **NOTE:** When properly installed, the mounting cradles on all (3) Brackets will point toward the rear of the vehicle.

Attach the inner end of the Bracket to the frame channel with (1) M8X1.25-25mm Hex Bolts, (1) M8 Lock Washer and (1) M8 Large Flat Washer, **(Fig 3)**. Do not fully tighten hardware at this time.

Line up the tab on the Bracket with the outside of the pinch weld. Use a clamp to temporarily attach the tab on the Bracket to the pinch weld.



(Fig 3) Passenger Front Mounting Bracket Installed

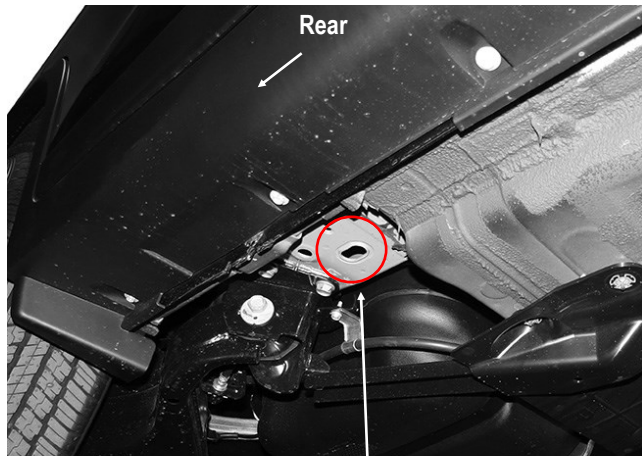
STEP 4

Move to the rear of the vehicle. Locate the factory holes at the bottom of the floor panel behind the jack point on the pinch weld, directly in front of the rear suspension mount, **(Fig 4)**.

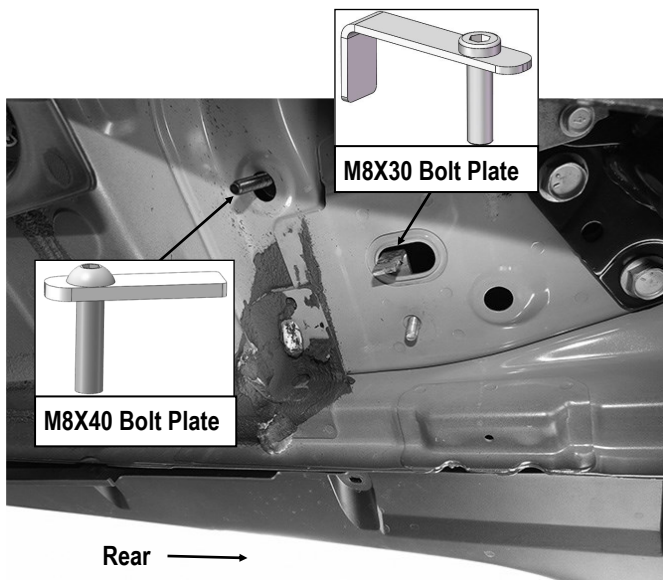
Select (1) M8X40 Bolt Plate, **(Fig 5A)**. Insert the M8X40 Bolt Plate into the round hole on the inner floor panel, **(Fig 5)**.

Select (1) M8X30 Bolt Plate, **(Fig 5B)**. Insert the M8X40 Bolt Plate into the oval hole. Feed the threaded end of the M8X30 Bolt Plate into and out of the smaller outer hole, **(Fig 5)**.

NOTE: Hold the passenger side Rear Bracket up in place to help determine the correct mounting holes for the Bracket.



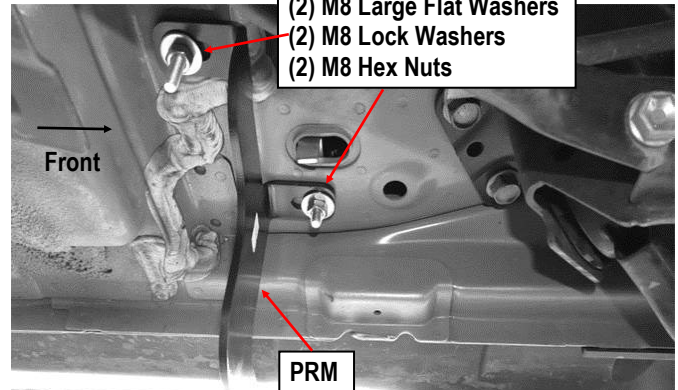
(Fig 4) Passenger Side Rear Mounting Location



(Fig 5) Insert M8X40 Bolt Plate & M8X30 Bolt Plate

STEP 5

Select the Passenger Rear Mounting Bracket (**PRM**). Attach the Bracket to the installed (2) Bolt Plates with (2) M8 Large Flat Washers, (2) M8 Lock Washers and (2) M8 Hex Nuts, (**Fig 6**). Do not fully tighten hardware at this time.



(Fig 6) Passenger Rear Mounting Bracket Installation

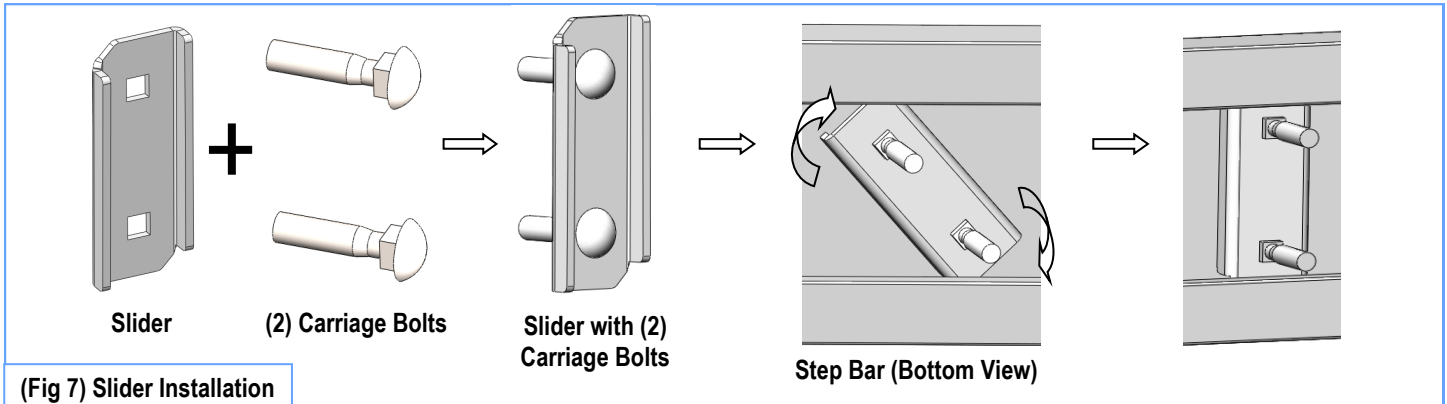
STEP 6

Once Passenger side Front and Rear mounting brackets are installed, then proceed to the Step Bar installation. (**Figs 7 & 8**)

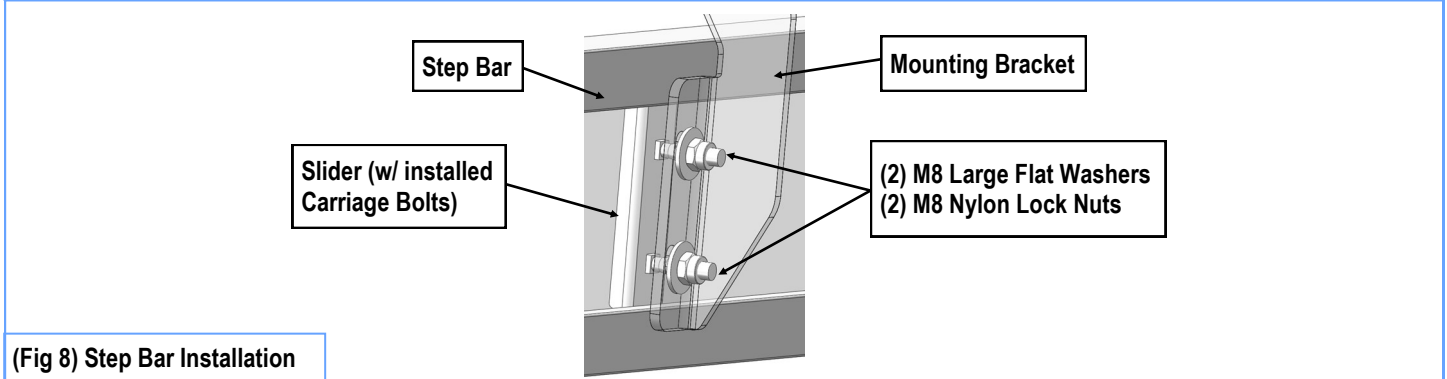
- (1) Select (1) Slider and (2) M8X1.25-35mm Carriage Bolts;
- (2) Install (2) M8X1.25-35mm Carriage Bolts in (1) Slider.
- (3) Slide the Slider (with carriage bolts) to the **Step Bar**.
- (4) Repeat to install the other (2) sliders to the step bar.
- (5) Attach the Step Bar (with the Sliders) onto the installed mounting brackets. Position the front and rear Sliders to the installed brackets. Secure the Step Bar to the installed **Front and Rear Bracket** by using (4) M8 Large Flat Washers and (4) M8 Nylon Lock Nuts and (2) Sliders, (**Fig 8**). Do not fully tighten hardware at this time.

Note: The Sliders are packed with the Step Bars.

Level and adjust the Step Bar and fully tighten all hardware.



(Fig 7) Slider Installation



(Fig 8) Step Bar Installation

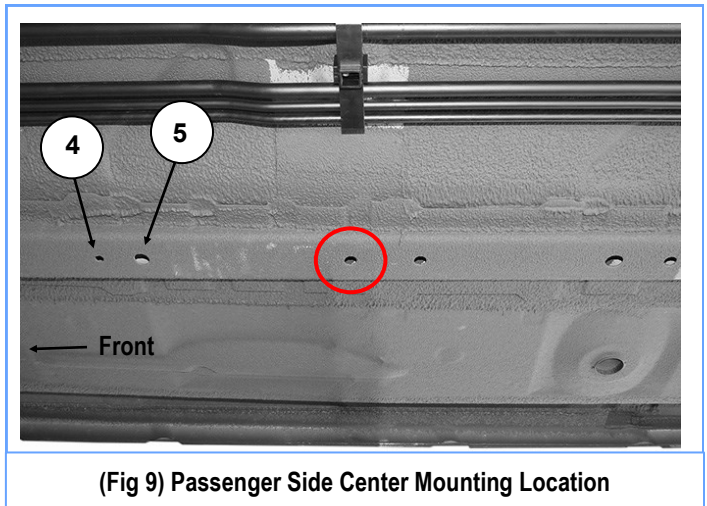
STEP 7

Level and adjust the Step Bar, tighten the hardware and clamp attaching the front and rear mounting Brackets to the vehicle only.

STEP 8

Move to the passenger center mounting location of the vehicle. Locate the holes at the bottom of the inner frame channel, (Fig 1). Locate the 6th hole back from the front bracket mounting location.

Note: Mark the correct mounting holes for the Passenger Center Mounting Bracket before moving to **Step 9, (Fig 9)**.



(Fig 9) Passenger Side Center Mounting Location



STEP 9

Select (1) M8X1.25-25mm Hex Bolts, (1) M8 Large Flat Washer, (1) Insert Installation Tool and (1) M8 Rivet Nut. Assemble the tool as pictured in (Fig 12). **NOTE: Select 8 mm hole on Threaded Insert Tool (Fig 13).** Hold the Tool assembly and push the M8 Rivet Nut into the correct hole in the frame channel identified in Step 8, (Fig 1 & 9).

IMPORTANT: M8 Rivet Nut cannot be removed once installed. Verify that M8 Rivet Nut is in the correct hole in the frame channel before proceeding.



Fig 10

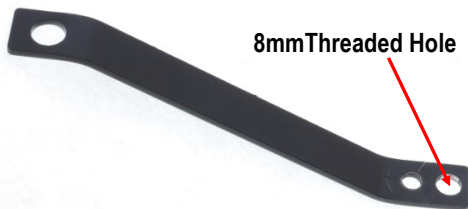


Fig 11

STEP 10

Hold the M8 Rivet Nut in place by firmly grasping the handle on the Tool. Turn the M8 Hex Bolt, (tighten), with wrench to expand the Insert in the hole in the frame channel, (Fig 12). Once the M8 Rivet Nut is fully compressed/ expanded, remove the Hex Bolt and Tool from the Insert. **WARNING:** Do not over-tighten or the M8 Rivet Nut will be damaged.

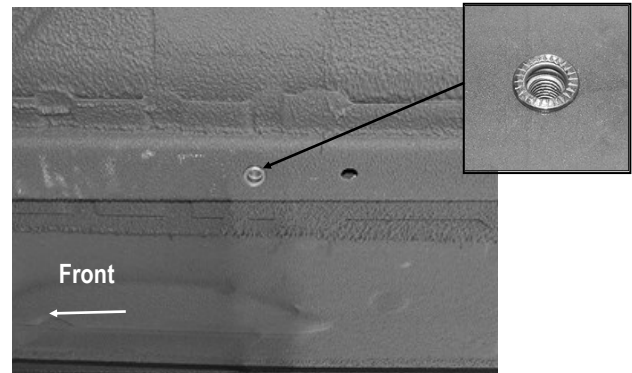
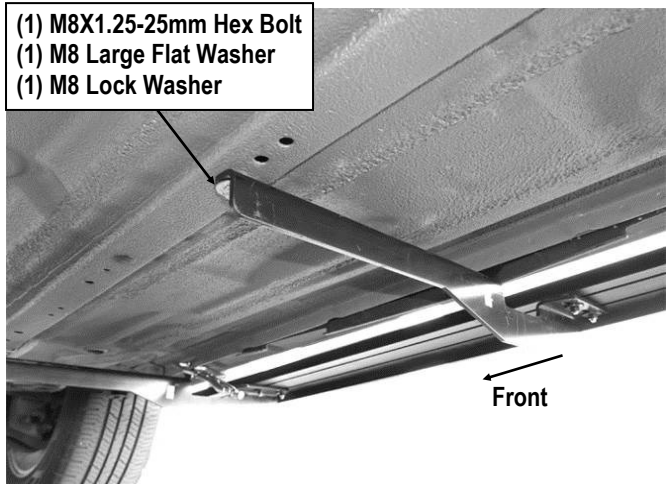


Fig 12

STEP 11

Select (1) Passenger Center Mounting Bracket (PFM/PCM). Bolt the inner end of the Bracket to the installed M8 Rivet Nut with (1) M8X1.25-25mm Hex Bolt, (1) M8 Lock Washer and (1) M8 Large Flat Washer, (Fig 13). Do not fully tighten hardware at this time.

Use a clamp to temporarily attach the outer tab of the Bracket to the pinch weld, (Fig 13).



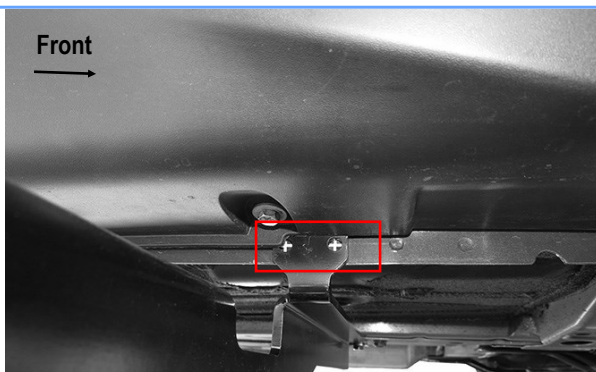
(Fig 13) Passenger Center Mounting Bracket Installed



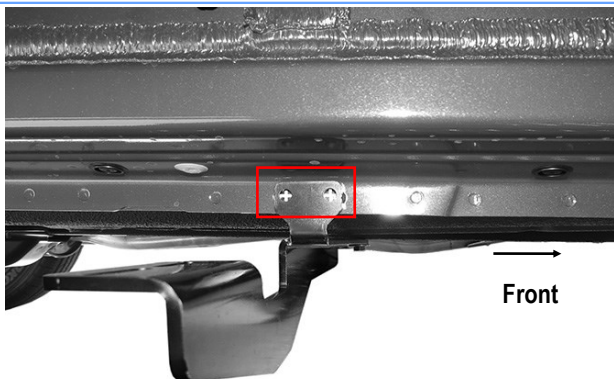
STEP 12

Level and adjust the Step Bar to the vehicle again, mark the locations of the front (**Fig 14**) and center (**Fig 15**) mounting tab onto the outside of the pinch weld.

IMPORTANT: Try to drill the holes higher, don't too close to the bottom edge of the pinch weld.



(Fig 14) Passenger Front Mounting Bracket Location
(Marked on The Pinch Weld Before Drilling)



(Fig 15) Passenger Center Mounting Bracket Location
(Marked on the pinch weld Before Drilling)

STEP 13

Remove the Step Bar and the Passenger Front & Center Mounting Bracket (**PFM/PCM**). Drill out (4) 1/4" holes on the pinch weld according to the Marks on **STEP 12**.

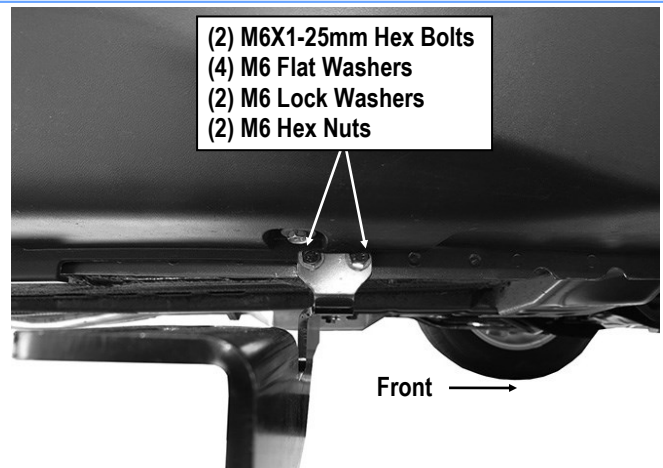
IMPORTANT! Any cutting or drilling tool may break or shatter.

Government regulations require safety glasses & equipment at all times when cutting or drilling.

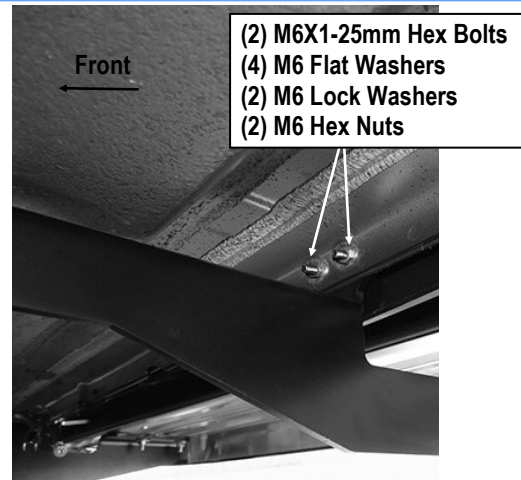
STEP 14

Reinstall the Passenger Front Mounting Bracket (**PFM/PCM**) as previously described. Attach the outer tab of the Bracket to the outside of the pinch weld with (2) M6X1-25mm Hex Bolts, (4) M6 Flat Washers, (2) M6 Lock Washers and (2) M6 Hex Nuts, (**Fig 16**). Do not fully tighten hardware at this time.

Repeat to reinstall the Passenger Center Mounting Bracket (**PFM/PCM**), (**Fig 17**).



(Fig 16) Passenger Front Mounting Bracket Installation



(Fig 17) Passenger Center Mounting Bracket Installation

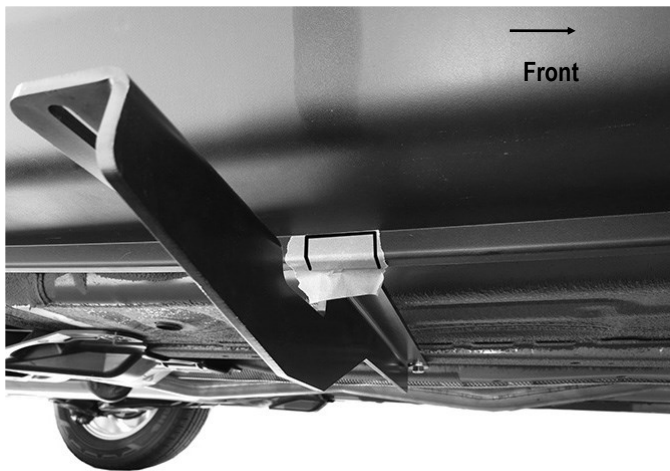


STEP 15

Hold the plastic rocker panel cover up in position over the mounting tabs on the front and center Brackets, (**Fig 18**). Apply removable tape, (masking tape for example), to the plastic cover. Mark the location of the mounting tabs onto the tape, not the cover. Use a sharp knife or hacksaw blade to carefully cut out a section of the cover to clear each mounting tab. **IMPORTANT:** Trim as little as possible to clear the mounting tab and hardware.

NOTE: Primarily, the cover will need to be trimmed to clear the tab on the Passenger Center Mounting Bracket (**PCM**), (**Fig 18**). The front of the cover may only need minor trimming to clear the tab, (**Fig 16**).

Reinstall the rocker cover with the factory hardware once properly cleared.



(Fig 18) Passenger Side Center Bracket Pictured
(Marks indicating area to cut are for example only)

STEP 16

Reinstall the Step Bar to the (3) installed mounting brackets, as described in **Step 6**. Adjust the Step Bar properly and fully tighten all hardware.

STEP 17

Repeat **Steps 1-16** for other side Step Bar installation. The installation is completed.

Attention

Do periodic inspections to the installation to make sure that all hardware is secure and tight.

In order to protect your bars/boards, please use mild soap/non-abrasive products for cleaning only.