

# iBoard®

## iBoard® by APS

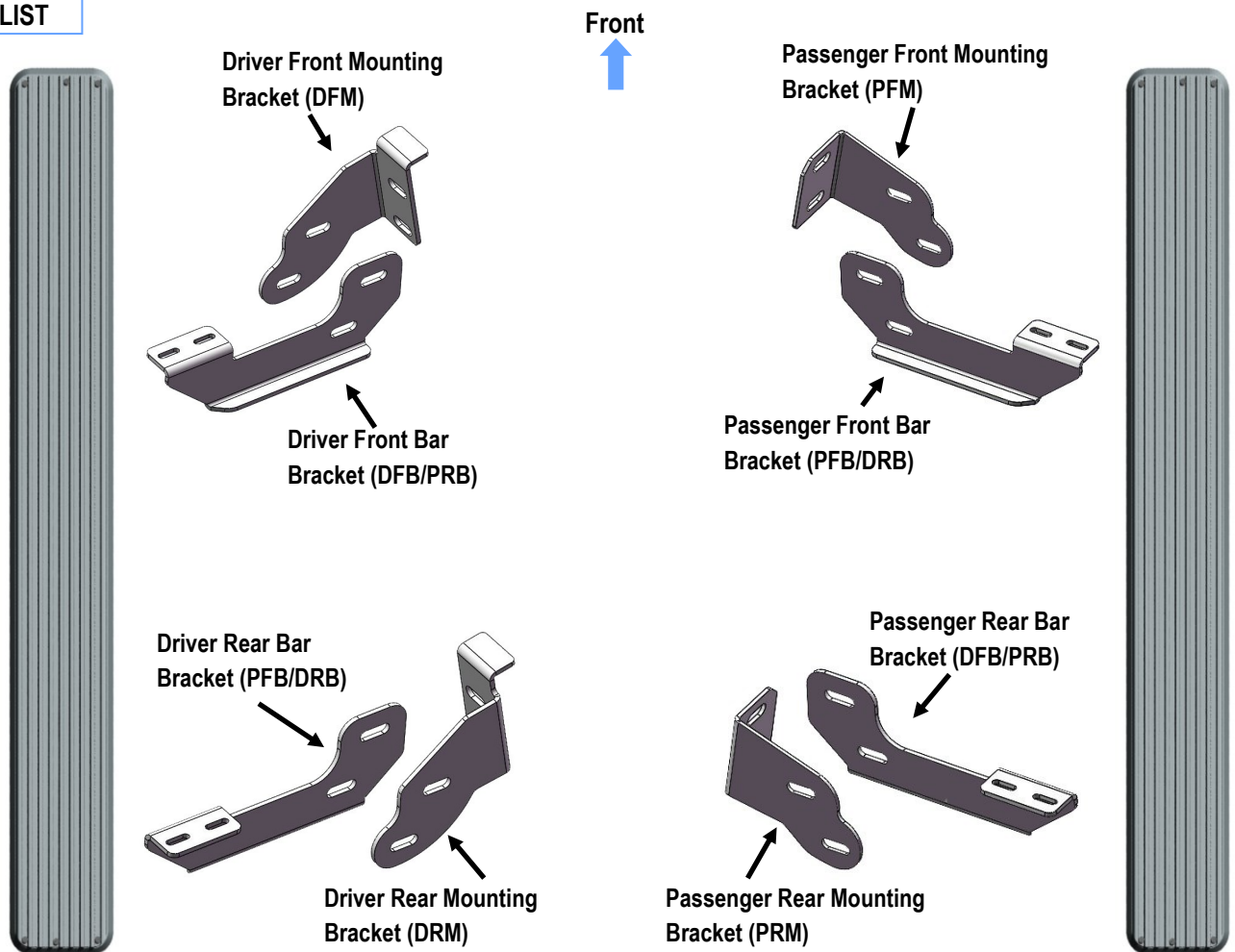
PART#: IB-225

READ INSTRUCTIONS CAREFULLY BEFORE STARTING INSTALLATION. REMOVE CONTENTS FROM BOX AND VERIFY ALL PARTS ARE PRESENT. ASSISTANCE IS RECOMMENDED.

\*ROCKER PANEL MOUNT  
\*NO DRILLING REQUIRED

Fastener Size	Tightening Torque (ft-lbs)	Required
6mm	6-7	√
8mm	16-18	X
10mm	31-32	√
12mm	56-58	X
14mm	92-94	X

### PART LIST



Customer Support: [info@iboardauto.com](mailto:info@iboardauto.com)

# iBoard®

## Hardware Package A (For Bracket Installation)



## Hardware Package B (For Aluminum Step Bar Installation Only, Not Supply to Stainless Steel Step Bar)



## Hardware Package C (For Stainless Steel Step Bar Installation Only, Not Supply to Aluminum Step Bar)



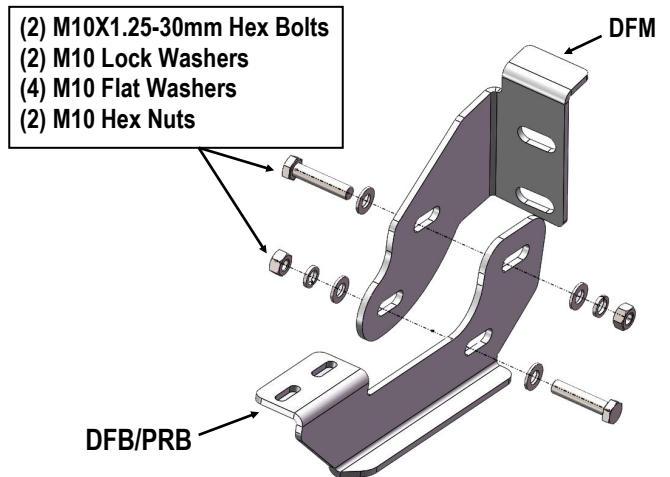
## STEP 1

Start installation from the driver side front of the vehicle. Select (1) Driver Front Mounting Bracket (**DFM**) and (1) Driver Front Bar Bracket (**DFB/PRB**), attach the Bar Bracket to the Mounting Bracket with (2) M10X1.25-30mm Hex Bolts, (2) M10 Lock Washers, (4) M10 Flat Washers and (2) M10 Hex Nuts, (**Fig 1**). Do not fully tighten hardware at this time.

## STEP 2

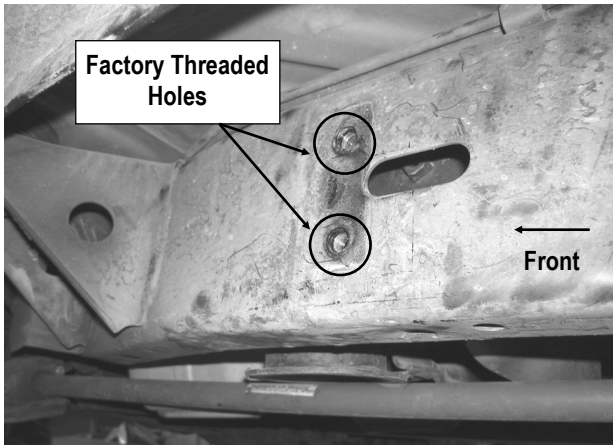
Locate (2) threaded holes and (1) slotted hole on the frame on the Driver Front Mounting Location, (**Fig 2**). Attach the Driver Front Mounting Bracket (**DFM**) onto the (2) threaded holes with the included (2) M10X1.5-30mm Hex Bolts, (2) M10 Lock Washers, and (2) M10 Flat Washers (**Fig 3**). Do not fully tighten hardware at this time.

**NOTE:** The factory bolts in the threaded holes can be re-used to mount the bracket, if equipped.

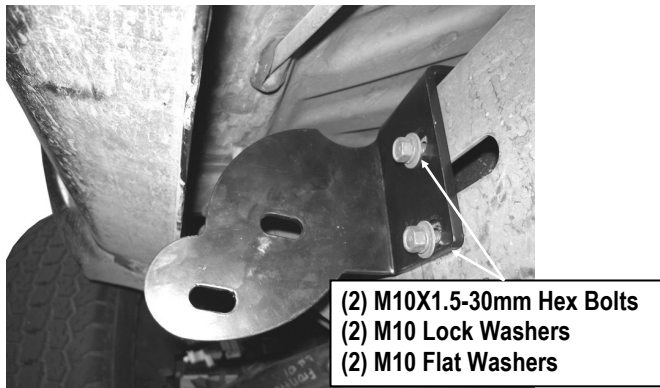


(Fig 1) Driver Front Mounting Bracket (DFM) and Driver Front Bar Bracket (DFB/PRB) Assembly

# iBoard®



(Fig 2) Driver Side Front Mounting Location

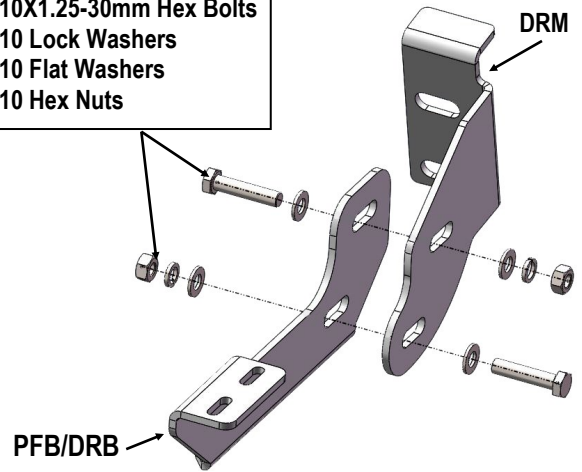


(Fig 3) Driver Front Mounting Bracket (DFM) Installed

## STEP 3

Move to the Driver Side Rear Mounting Location, repeat **Step 1** to assemble the Driver Rear Mounting Bracket (**DRM**) and the Driver Rear Bar Bracket (**PFB/DRB**), (Fig 4). Do not fully tighten hardware at this time.

- (2) M10X1.25-30mm Hex Bolts
- (2) M10 Lock Washers
- (4) M10 Flat Washers
- (2) M10 Hex Nuts

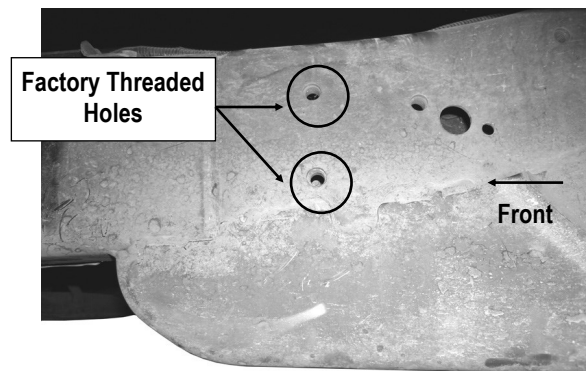


(Fig 4) Driver Rear Mounting Bracket (DRM) and Driver Rear Bar Bracket (PFB/DRB) Assembly

## STEP 4

Locate (2) threaded holes and (3) non-threaded holes on the Driver Side Rear Mounting Location (Fig 5). Attach the assembled Driver Rear Mounting Bracket (**DRM**) onto the (2) threaded holes on the frame with the included (2) M10X1.5-30mm Hex Bolts, (2) M10 Lock Washers, and (2) M10 Flat Washers (Fig 6). Do not fully tighten hardware at this time.

**NOTE:** The factory bolts in the threaded holes can be re-used to mount the bracket, if equipped.



(Fig 5) Driver Side Rear Mounting Location

# iBoard®



(2) M10X1.5-30mm Hex Bolts  
(2) M10 Lock Washers  
(2) M10 Flat Washers

(Fig 6) Driver Rear Mounting Bracket (DRM) Installed

## STEP 5

Once all (2) mounting brackets are installed, then proceed to the Step Bar installation. According to the style of Step Bar proceed to the correct installation STEPS.

**Note:** Aluminum Step Bar refer to STEP 6; Stainless Steel Step Bar skip to STEP 7.

## STEP 6

### **Aluminum Step Bar Installation:**

Select a **Aluminum Step Bar**. Slip (2) M6x1-20 Square Head Bolts into each bottom channel (Fig 7). Carefully position the Step Bar onto the (2) Mounting Brackets.

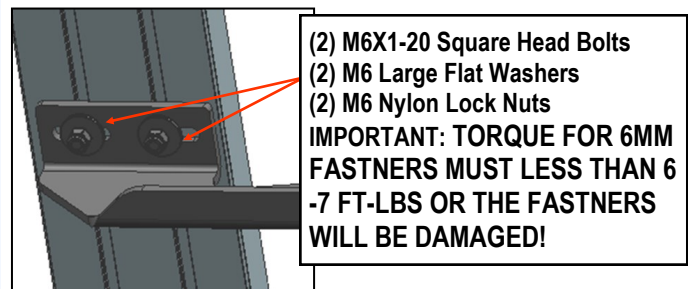
**IMPORTANT:** Do not slide the Step Bar on the Brackets or the bottom surface of the board will be damaged. Attach the Step Bar to each Mounting Brackets with (2) M6x1-20 Square Head Bolts, (2) M6 Large Flat Washers and (2) M6 Nylon Lock Nuts, (Fig 8). Do not fully tighten at this time.

Level and adjust the Step Bar and fully tighten all hardware.

Repeat **Steps 1-6** for the other side Step Bar installation. **The installation is completed!!!**



(Fig 7) Slip M6X1-20mm Square Head Bolts Into The Bottom Channels



(2) M6X1-20 Square Head Bolts  
(2) M6 Large Flat Washers  
(2) M6 Nylon Lock Nuts  
**IMPORTANT: TORQUE FOR 6MM FASTNERS MUST LESS THAN 6-7 FT-LBS OR THE FASTNERS WILL BE DAMAGED!**

(Fig 8) Running Board Installed Onto Mounting Bracket

## STEP 7

### **Stainless Steel Step Bar Installation:**

Select a **Stainless Steel Step Bar** (with the U-Sliders installed on the Bar). Loose the U-Sliders, reposition the U-Sliders onto the board according to the (2) Installed Mounting Brackets location, (Fig 9). Re-secure the U-Sliders on the Step Bar. Attach the Step Bar to the installed Mounting Brackets with (4) M6X1-20 Hex Bolts, (4) M6 Large Flat Washers & (4) M6 Lock Washers, (Fig 10). Do not fully tighten hardware at this time.

Level and adjust the Step Bar and fully tighten all hardware.

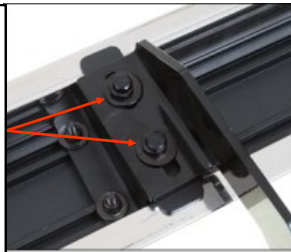
Repeat **Steps 1-5 and 7** for the other side Step Bar installation. **The installation is completed!!!**

# iBoard®



(Fig 9) Slide & line up the U-Slider with the installed mounting brackets along bottom channel

(2) M6X1-20 Hex Bolts  
(2) M6 Large Flat Washers  
(2) M6 Lock Washers  
**IMPORTANT: TORQUE FOR 6MM FASTNERS MUST LESS THAN 6-7 FT-LBS OR THE FASTNERS WILL BE DAMAGED!**



(Fig 10) Step Bar Installed on Bracket Installed (Example)

## Attention

Do periodic inspections to the installation to make sure that all hardware is secure and tight.

In order to protect your bars/boards, please use only mild soap/non-abrasive products for cleaning.