

iBoard®

iBoard® by APS

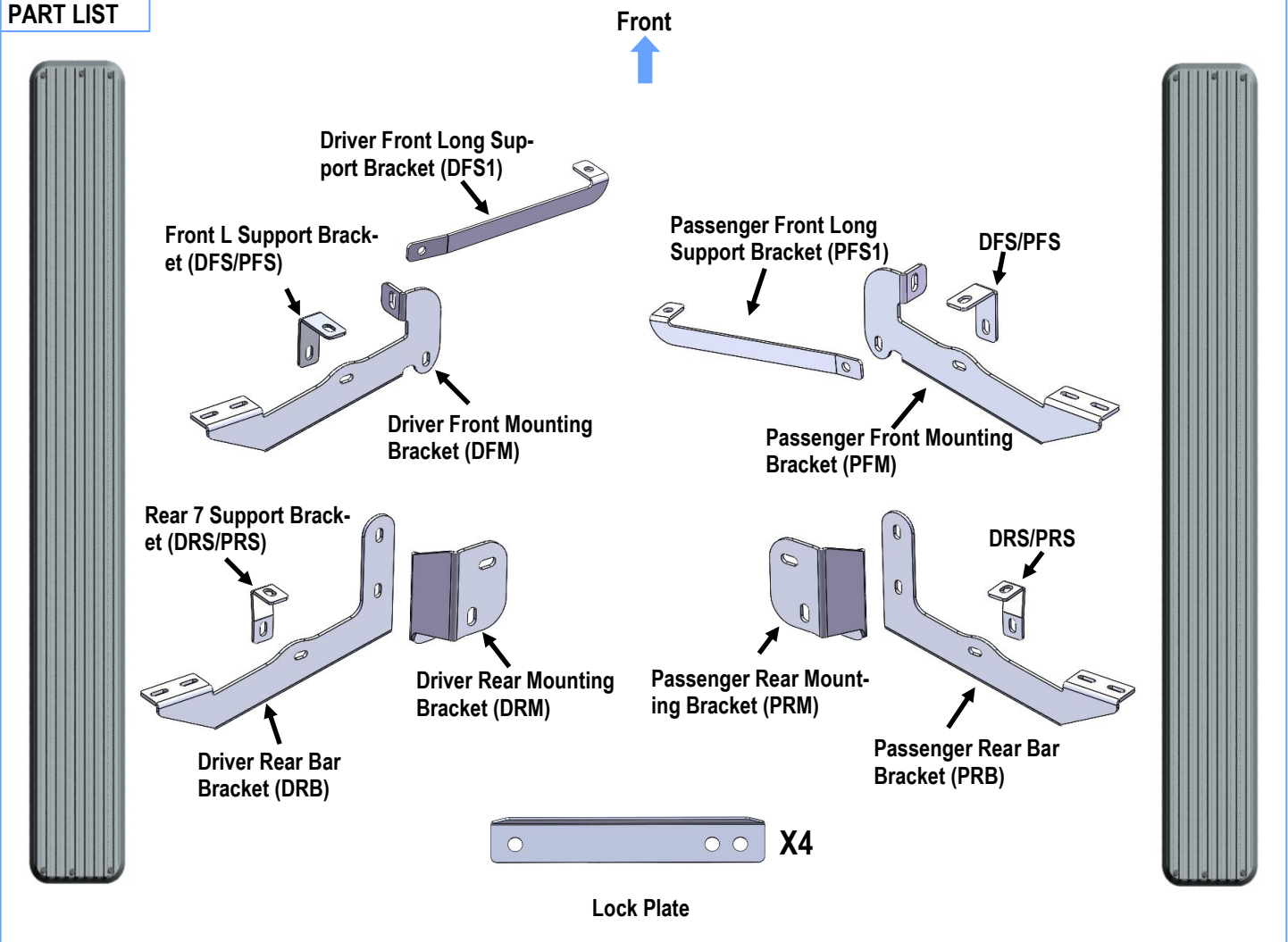
PART#: IB-180A-B

READ INSTRUCTIONS CAREFULLY BEFORE STARTING INSTALLATION. REMOVE CONTENTS FROM BOX AND VERIFY ALL PARTS ARE PRESENT. ASSISTANCE IS RECOMMENDED.

***BODY FRAME MOUNT
*NO DRILLING REQUIRED**

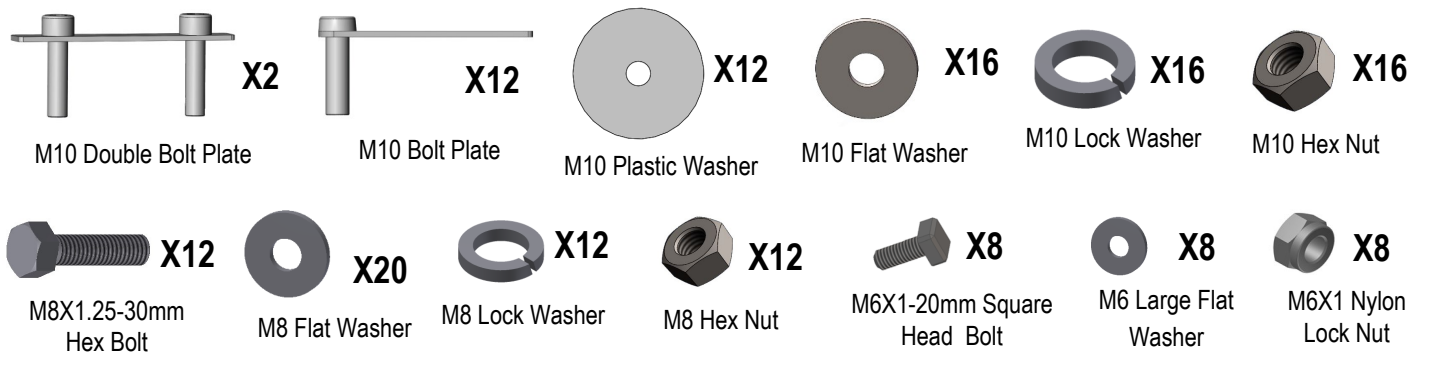
Fastener Size	Tightening Torque (ft-lbs)
6mm	6-7
8mm	16-18
10mm	31-32
12mm	56-58
14mm	92-94

PART LIST



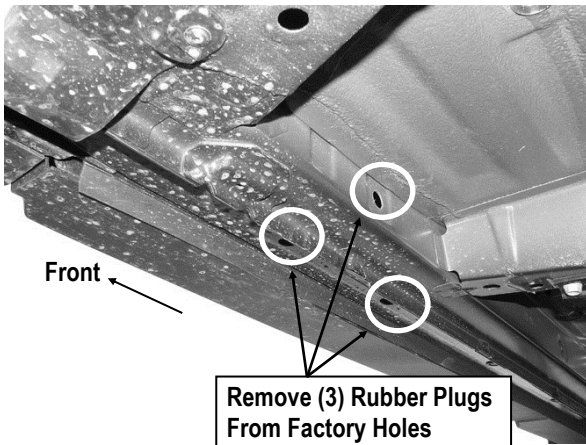
Customer Support: info@iboardauto.com

iBoard®



STEP 1

Start installation from the passenger side front of the vehicle. Locate and remove the (3) rubber plugs at the bottom of the outer frame channel closest to the front wheel opening, (**Fig 1**).



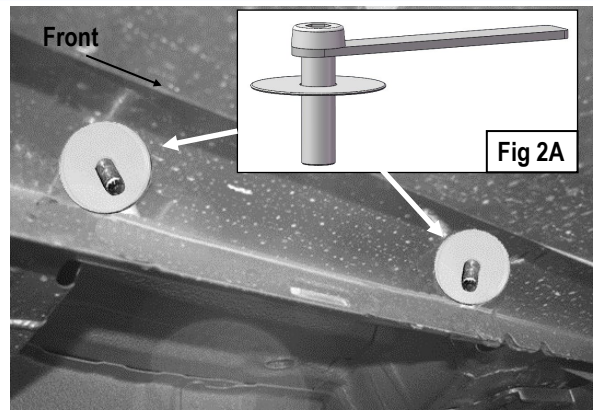
(Fig 1) Passenger Front Mounting Location

STEP 2

Select (2) M10 Bolt Plates and (2) M10 Plastic Washers, (**Fig 2A**). Thread (1) M10 Plastic Washer onto (1) M10 Bolt Plate. **NOTE:** The Plastic Washer is designed to hold the Bolt Plate in place during Bracket installation.

Insert (1) M10 Bolt Plate into the first-forward hole with the plate pointed toward the rear of the vehicle, (**Fig 2B**). Thread the M10 Plastic Washer down tight against the body panel. Repeat to install the next M10 Bolt Plate into the second hole with the Plate pointed toward the front of the vehicle, (**Figs 2B & 3**).

Note: The Plates on the (2) Bolt Plates must be pointed toward each other, (**Fig 3**)



(Fig 2B) M10 Bolt Plates and M10 Plastic Washers Installation

STEP 3

Select (1) Lock Plate, (**Fig 3**). Slide the Lock Plate over the installed (2) M10 Bolt Plates with the bent side toward the pinch weld. Attach the Lock Plate to the rear M10 Bolt Plate only with (1) M10 Flat Washer, (1) M10 Lock Washer and (1) M10 Hex Nut, (**Fig 4**). Tighten the Hex Nut at this time.

IMPORTANT: Repeat this **Step** to install the other Lock Plate onto the passenger side rear mounting location.

iBoard®

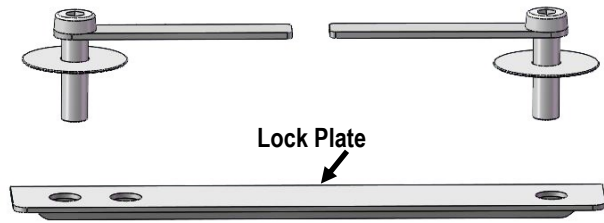
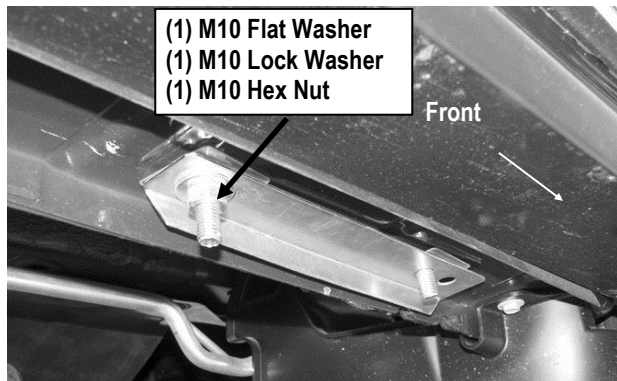


Fig 3



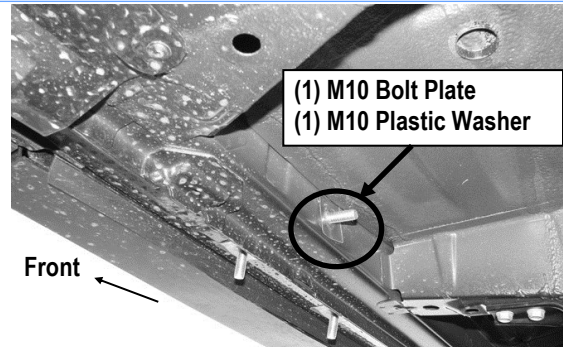
(Fig 4) Lock Plate Installed
(On Passenger Side Front Mounting Location)

STEP 4

Locate the round hole on the inner side of the outer frame channel close to the installed lock plate, (Figs 1 & 5).

Select (1) M10 Bolt Plate and (1) M10 Plastic Washer, (Fig 2A). Partially thread the M10 Plastic Washer onto the M10 Bolt Plate. Insert the M10 Bolt Plate into the hole and thread the M10 Plastic Washer down tight against the body (Fig 5).

Note: Mounting areas may be covered with undercoating. Remove the undercoating from body panel on all mounting locations. Make sure the Brackets attach against the body panel flatly.



(Fig 5) M10 Bolt Plate Installed
(On the Passenger Side Front Mounting Location)

STEP 5

Select (1) Front L Support Bracket (DFS/PFS), (Fig 6). Attach the shorter end of the Support Bracket to the installed M10 Bolt Plate with (1) M10 Flat Washer, (1) M10 Lock Washer and (1) M10 Hex Nut, (Fig 7). Do not fully tighten hardware at this time.

Note: Front L Support Bracket (DFS/PFS) and Rear 7 Support Bracket (DRS/PRS) are different, (Fig 6).

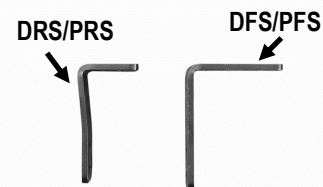
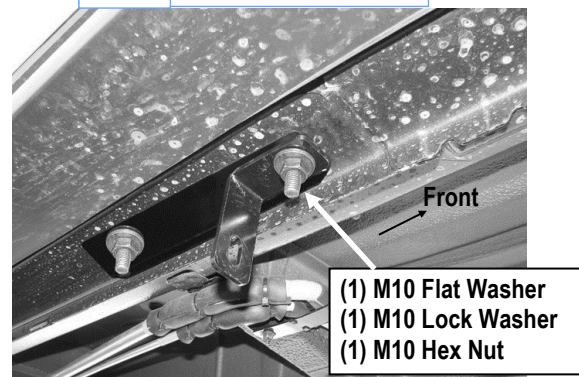


Fig 6

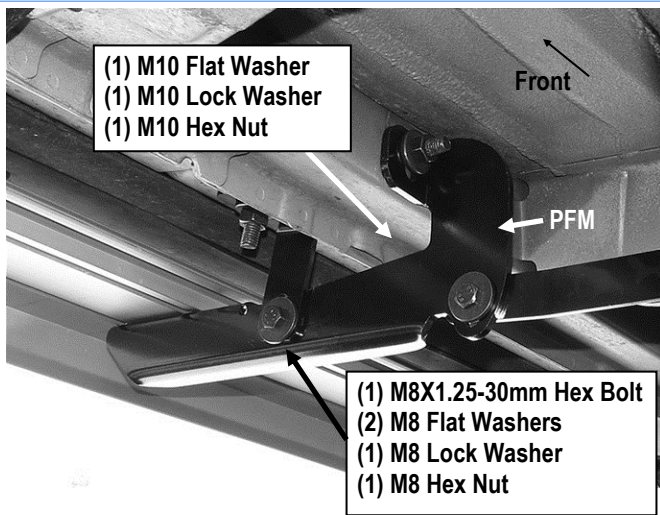


(Fig 7) Front L Support Bracket Installed
(On the Passenger Side Front Mounting Location)

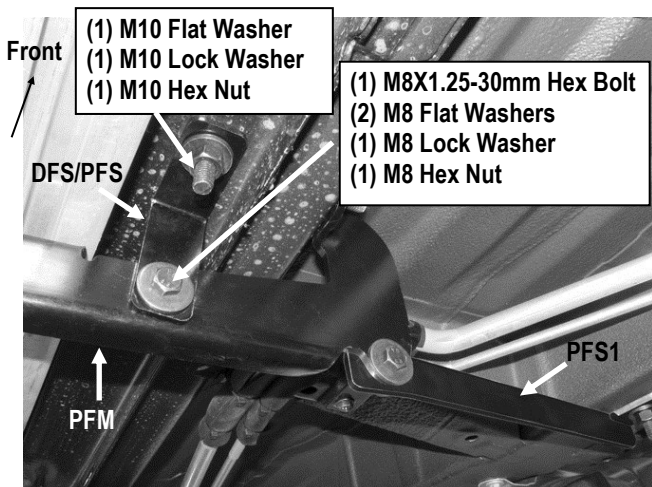
iBoard®

STEP 6

Select the Passenger Front Mounting Bracket (PFM). Attach the Bracket to the upper M10 Bolt Plate installed on the back of the frame channel with (1) M10 Flat Washer, (1) M10 Lock Washer and (1) M10 Hex Nut, (Fig 8). Attach the Passenger Front Mounting Bracket to the back of the Front L Support Bracket (DFS/PFS) with (1) M8X1.25-30mm Hex Bolt, (2) M8 Flat Washers, (1) M8 Lock Washer and (1) M8 Hex Nut, (Fig 8 & 9). Do not fully tighten hardware at this time.



(Fig 8) Passenger Front Mounting Bracket (PFM) Installation



(Fig 9) Passenger Front Mounting Bracket (PFM) Installation

STEP 7

Next, locate the factory holes at the bottom of the inner frame channel directly behind the tie down loop where the frame is joined together. Select (1) M10 Bolt Plate and (1) M10 Plastic Washer. Partially thread the M10 Plastic Washer onto the Bolt Plate. Insert the Bolt Plate into the correct factory hole in the frame channel and thread the M10 Plastic Washer down tight against the body, (Fig 10 & 12).

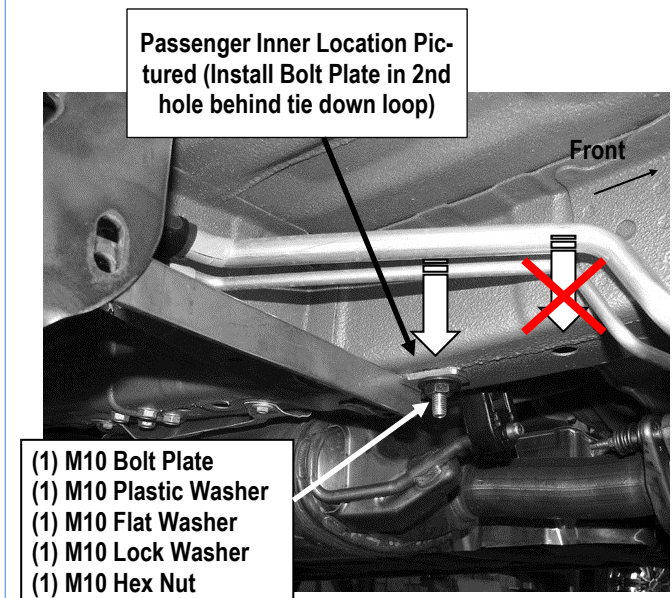
Select (1) Passenger Front Long Support Bracket (PFS1), (Fig 13). Determine the correct factory hole to use:

For Passenger side: Use the 2nd factory hole back from the loop, (Fig 10 & 11).

For Driver side: Use the factory hole closest to the loop, (Fig 12).

Attach the short end of the Long Support Bracket to the M10 Bolt Plate on the frame channel with (1) M10 Flat Washer, (1) M10 Lock Washer and (1) M10 Hex Nut, (Fig 10 –12).

Note: The driver side and passenger side Long Front Support Brackets do not install in the same manner.



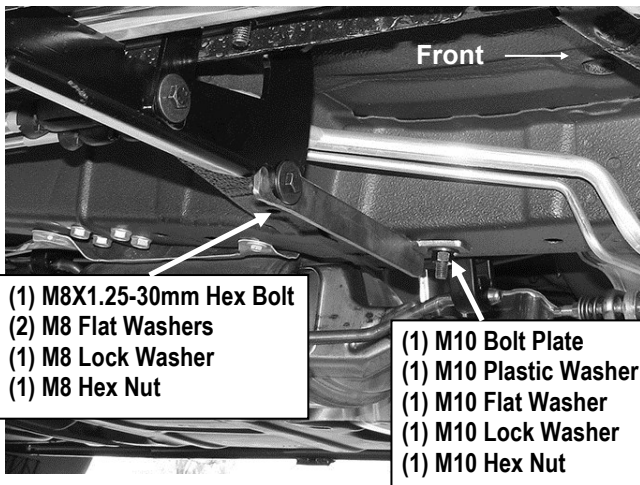
(Fig 10) Passenger Front Long Support Bracket (PFS1) Location (Bolt Support Bracket To Back Side Of Front Bracket)

iBoard®

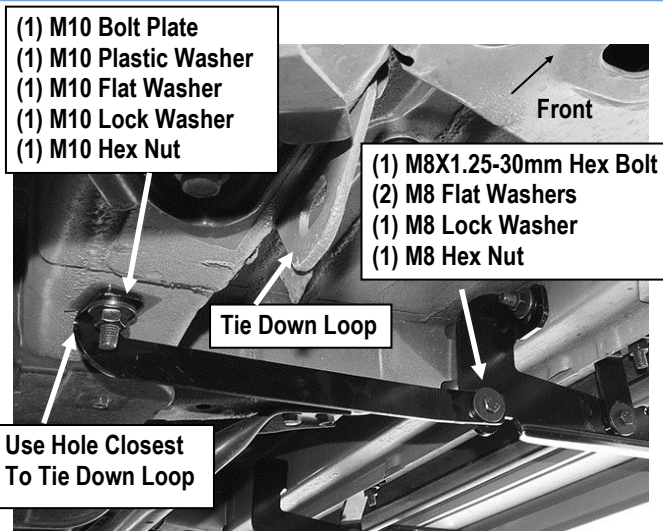
STEP 8

Bolt the long end of the Passenger Front Long Support Bracket (**PFS1**) to the Passenger Front Mounting Bracket (**PFM**) with (1) M8X1.25-30mm Hex Bolt, (2) M8 Flat Washers, (1) M8 Lock Washer and (1) M8 Hex Nut, (**Fig 11 & 14**). Do not fully tighten hardware at this time.

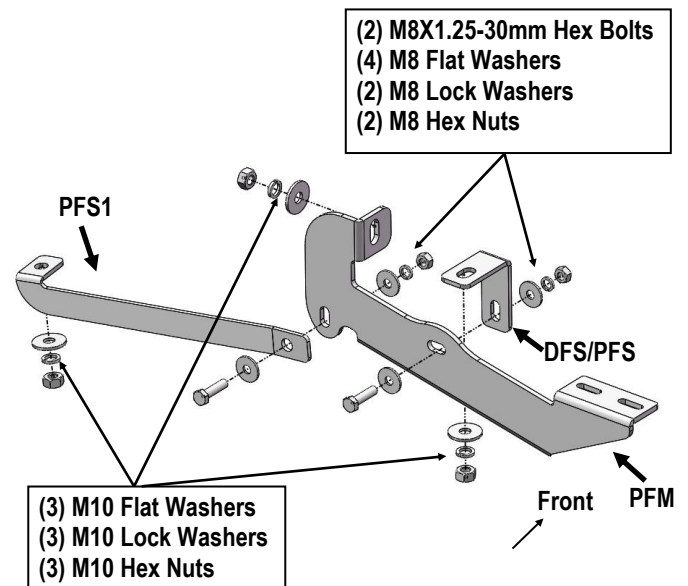
Note: Attach the passenger side Long Support Bracket to the **back** of the Front Mounting Bracket, (**Figs 10 & 11**). Attach the driver side Long Support Bracket to the **front** of the Front Mounting Bracket, (**Fig 12**).



(Fig 11) Passenger Front Long Support Bracket (PFS1) Location



(Fig 12) Driver Front Long Support Bracket (DRS1) Location
(Bolt Support Bracket To **Front** Side Of Front Mounting Bracket)



(Fig 14) Passenger Side Front Brackets Location

STEP 9

Move to the rear mounting location in front of the passenger side rear tire opening. Locate the large oval and the round holes in the inner body panel in front of the rear tire, (**Fig 15**). Select (1) M10 Double Bolt Plate and (1) M10 Plastic Washer. Insert the M10 Double Bolt Plate into the oval hole and up and out of the smaller round hole above it. Thread the Plastic Washer onto the M10 Double Bolt Plate in the round hole only, (**Fig 16**)

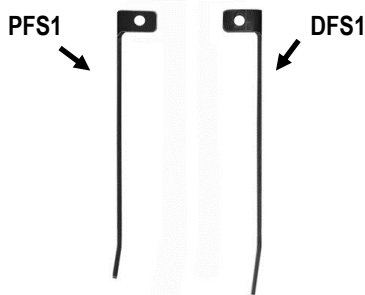
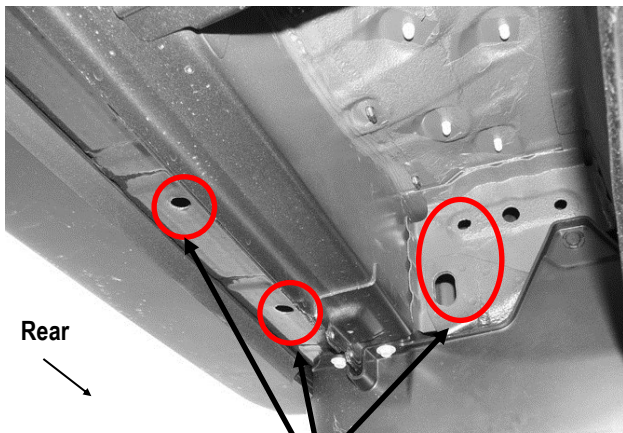


Fig 13

iBoard®



(Fig 15) Passenger Side Rear Mounting Location

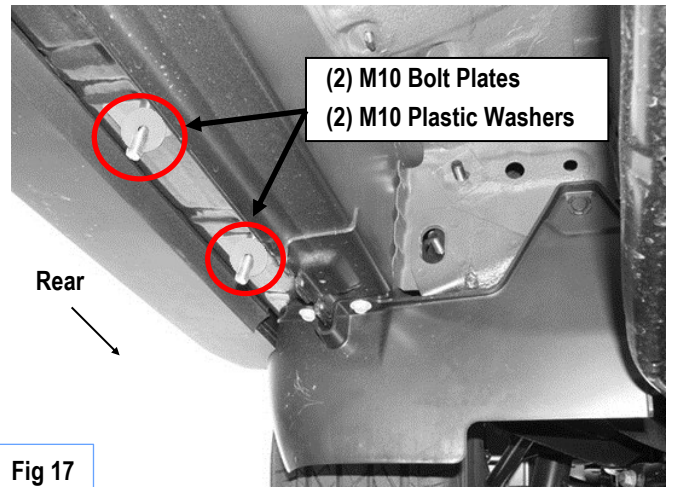
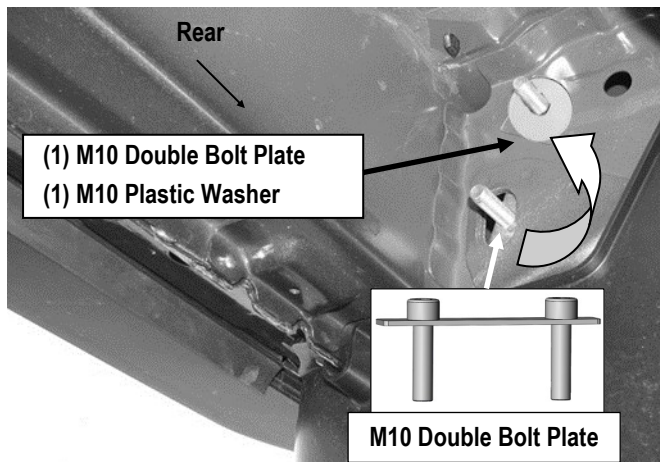
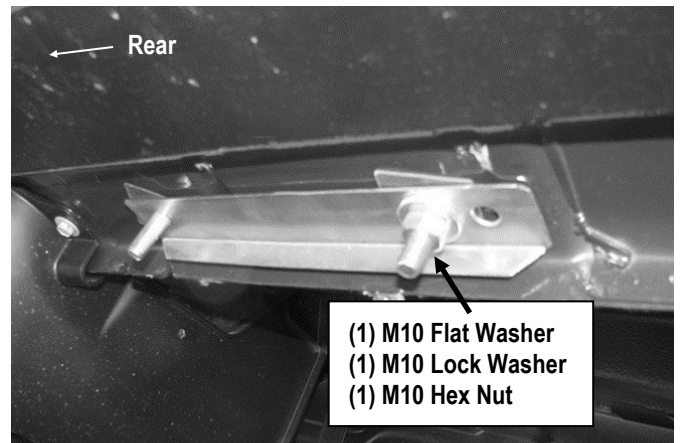


Fig 17



(Fig 16) M10 Double Bolt Plate Installation
(On Passenger Side Rear Mounting Location)



(Fig 18) Lock Plate Installation
(On Passenger Side Rear Mounting Location)

STEP 10

Locate the last (2) round holes along the floor panel, (Fig 15). Repeat **Steps 1-3** to install the (2) M10 Bolt Plates and (1) Lock Plate, (Fig 17 & 18).

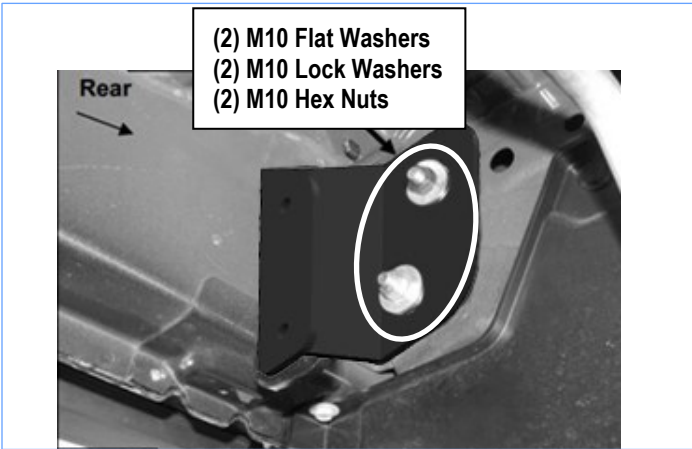
NOTE: Attach the Lock Plate to the front of Bolt Plate only with (1) M10 Flat Washer, (1) M10 Lock Washer and (1) M10 Hex Nut, (Fig 18). Tighten the Hex Nut at this time.

STEP 11

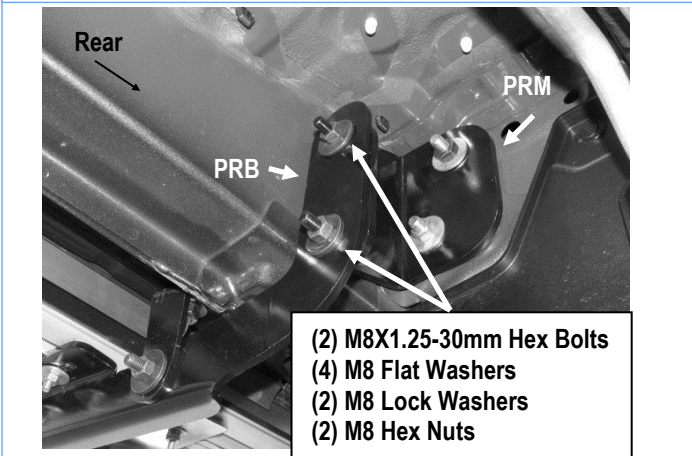
Select the Passenger Rear Mounting Bracket (**PRM**). Attach the Mounting Bracket to the installed M10 Double Bolt Plate with (2) M10 Flat Washers, (2) M10 Lock Washers and (2) M10 Hex Nuts, (Fig 19). Do not fully tighten hardware at this time.

Next, attach the Passenger Rear Bar Bracket (**PRB**) to the front of the Mounting Bracket with (2) M8X1.25-30mm Hex Bolts, (4) M8 Flat Washers, (2) M8 Lock Washers and (2) M8 X1.25 Hex Nuts, (Fig 20). Do not fully tighten hardware at this time.

iBoard®



(Fig 19) Passenger Rear Mounting Bracket (PRM) Installation

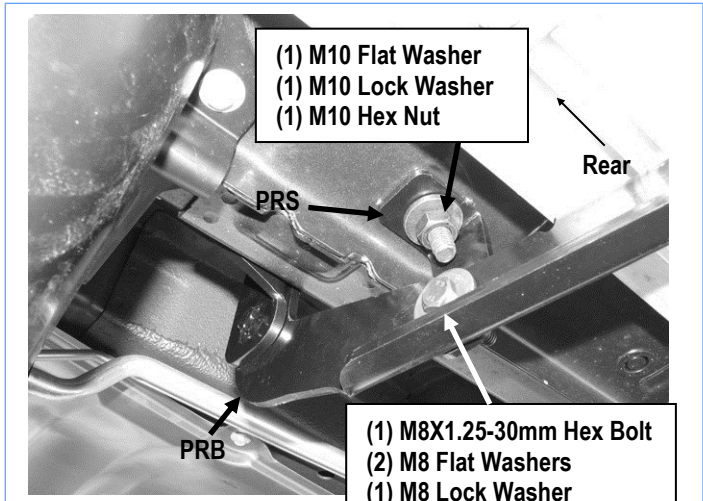


(Fig 20) Passenger Rear Bar Bracket (PRB) Installation

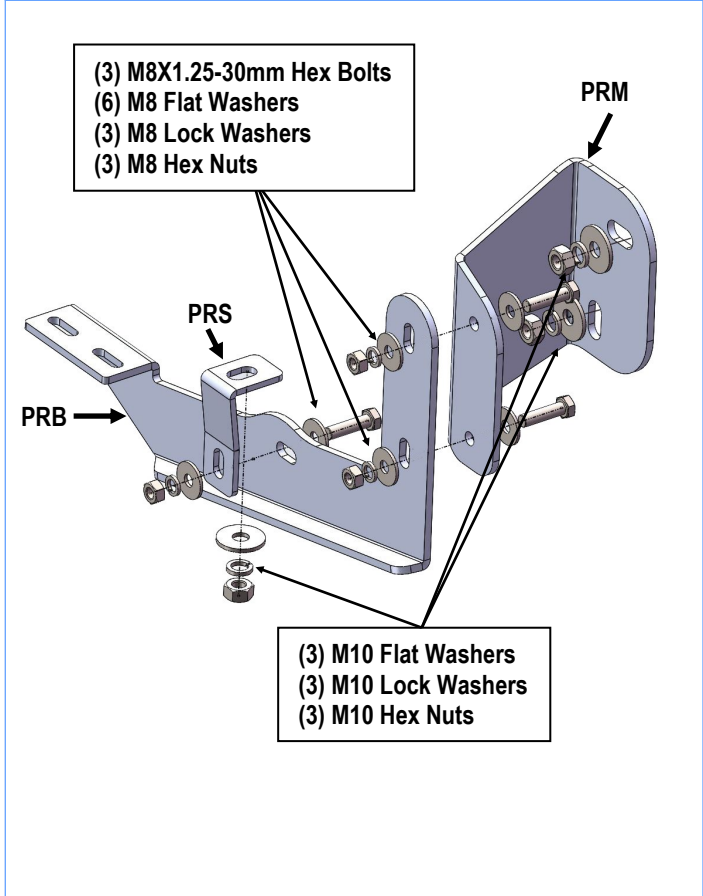
STEP 12

Attach the Passenger Rear 7 Support Bracket (**DRS/PRS**) to the installed M10 Bolt Plate with (1) M10 Flat Washer, (1) M10 Lock Washer and (1) M10 Hex Nut, (**Fig 21 & 22**). Do not fully tighten hardware at this time.

Bolt the Passenger Rear 7 Support Bracket (**DRS/PRS**) to the back of the Passenger Rear Bar Bracket (**PRB**) with (1) M8X1.25-30mm Hex Bolt, (2) M8 Flat Washers, (1) M8 Lock Washer and (1) M8 Hex Nut, (**Fig 21 & 22**). Do not fully tighten hardware at this time.



(Fig 21) Passenger Rear 7 Support Bracket (DRS/PRS) Installation



(Fig 22) Passenger Side Rear Bracket Location Pictured

iBoard®

STEP 13

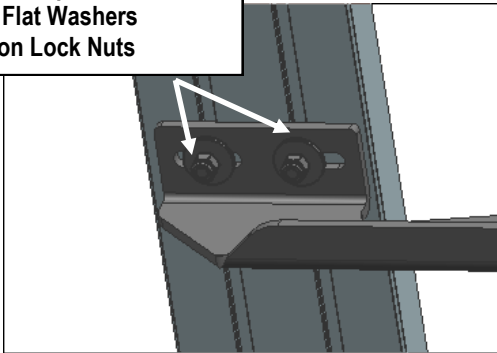
Select a Running Board. Slip (2) M6x1-20mm Square Head Bolts into each bottom channel (**Fig 23**). Carefully position the Running Board onto the (2) Mounting Brackets.

IMPORTANT: Do not slide the Running Board on the Brackets or the bottom surface of the board will be damaged. Attach the Running Board to Mounting Bracket with (4) M6x1-20mm Square Head Bolts, (4) M6 Large Flat Washers and (4) M6 X1 Nylon Lock Nuts (**Fig 24**). Do not fully tighten hardware at this time.



(Fig 23) Slip M6X1-20mm Square Head Bolts Into The Bottom Channels

(2) M6X1-20mm Square Head Bolts
(2) M6 Large Flat Washers
(2) M6X1 Nylon Lock Nuts



(Fig 24) Running Board Installed Onto the Mounting Bracket

STEP 14

Level and adjust the Running Board as necessary and fully tighten all hardware.

STEP 15

Repeat **Steps 1-14** for the other side Running Board installation. The installation is completed, (**Fig 25**).



(Fig 25) Installation Completed

Attention

Do periodic inspections to the installation to make sure that all hardware is secure and tight.

In order to protect your bars/boards, please use only mild soap/non-abrasive products for cleaning.