

iBoard®

iBoard® by APS

PART#: IB-128A-B

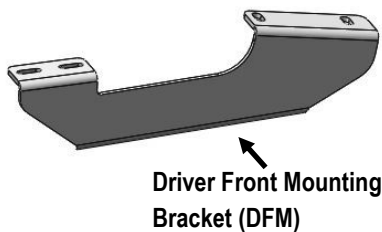
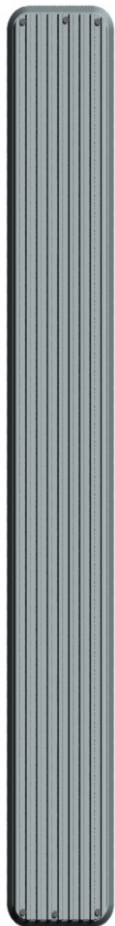
READ INSTRUCTIONS CAREFULLY BEFORE STARTING INSTALLATION. REMOVE CONTENTS FROM BOX AND VERIFY ALL PARTS ARE PRESENT. ASSISTANCE IS RECOMMENDED.

*BODY FRAME MOUNT
*NO DRILLING REQUIRED

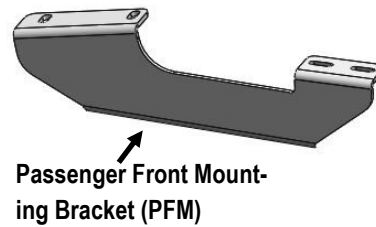
Fastener Size	Tightening Torque (ft-lbs)
6mm	6-7
8mm	16-18
10mm	31-32
12mm	56-58
14mm	92-94

PART LIST

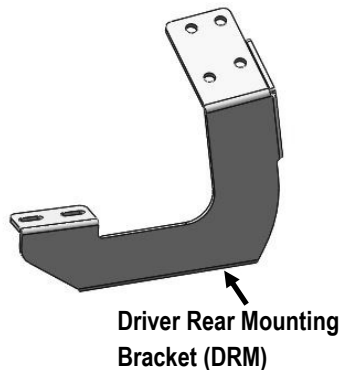
Front



Driver Front Mounting Bracket (DFM)



Passenger Front Mounting Bracket (PFM)



Driver Rear Mounting Bracket (DRM)



Passenger Rear Mounting Bracket (PRM)



Customer Support: info@iboardauto.com

iBoard®



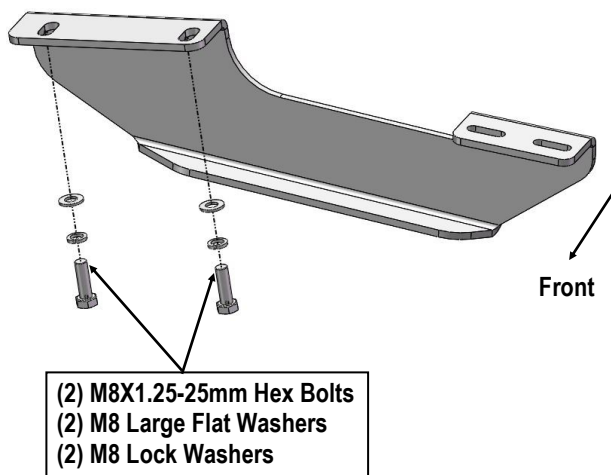
STEP 1

Start installation from the driver side front of the vehicle. Locate the (2) factory threaded holes in the bottom of the outer frame channel.

NOTE: The threaded holes may be filled with plastic plugs or covered in insulation. Remove plugs or insulation before proceeding.

STEP 2

Select the Driver Front Mounting Bracket (**DFM**). Attach to the (2) factory threaded holes with (2) M8X1.25-25mm Hex Bolts, (2) M8 Large Flat Washers and (2) M8 Lock Washers, (**Fig 1**). Do not fully tighten hardware at this time.

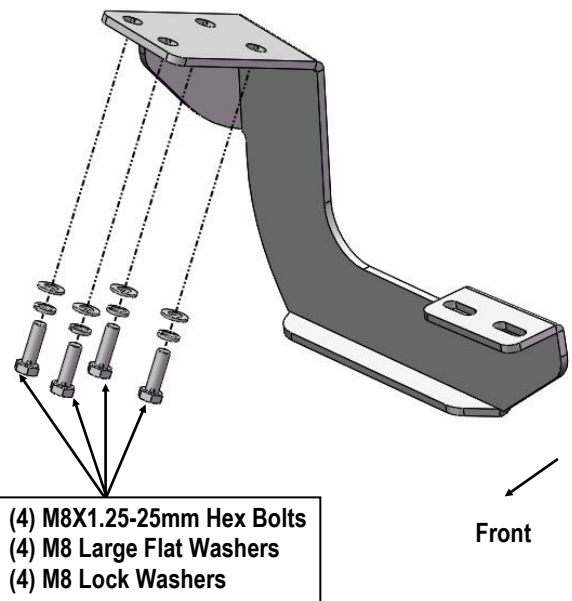


(Fig 1) Driver Side Front Mounting Bracket Installation

STEP 3

Move to the driver side rear of the vehicle. Repeat **Step 1** to locate the rear mounting location.

Select the Driver Rear Mounting Bracket (**DRM**). Attach to the (4) factory threaded holes with (4) M8X1.25-30mm Hex Bolts, (4) M8 Large Flat Washers and (4) M8 Lock Washers, (**Fig 3**). Do not fully tighten hardware at this time.



(Fig 2) Driver Side Rear Mounting Bracket Installation

iBoard®

STEP 4

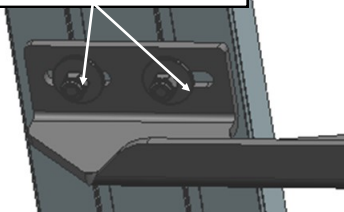
Select a Running Board. Slip (2) M6X1-20mm Square Head Bolts into each bottom channel (**Fig 3**). Carefully position the Running Board onto the (2) Mounting Brackets.

IMPORTANT: Do not slide the Running Board on the Brackets or the bottom surface of the board will be damaged. Attach the Running Board to each Mounting Bracket with (2) M6x1-20mm Square Head Bolts, (2) M6 Large Flat Washers and (2) M6 X1 Nylon Lock Nuts (**Fig 4**). Do not fully tighten at this time.



(Fig 3) Slip M6X1-20mm Square Head Bolts Into The Bottom Channels

(2) M6X1-20mm Square Head Bolts
(2) M6 Large Flat Washers
(2) M6X1 Nylon Lock Nuts



(Fig 4) Running Board Installed Onto the Mounting Bracket

STEP 5

Level and adjust the Running Board and fully tighten all hardware.

STEP 6

Repeat **Steps 1-5** for other side Running Board installation. The installation is completed.

Attention

Do periodic inspections to the installation to make sure that all hardware is secure and tight.

In order to protect your bars/boards, please use only mild soap/non-abrasive products for cleaning.