

iBoard®

iBoard® by APS

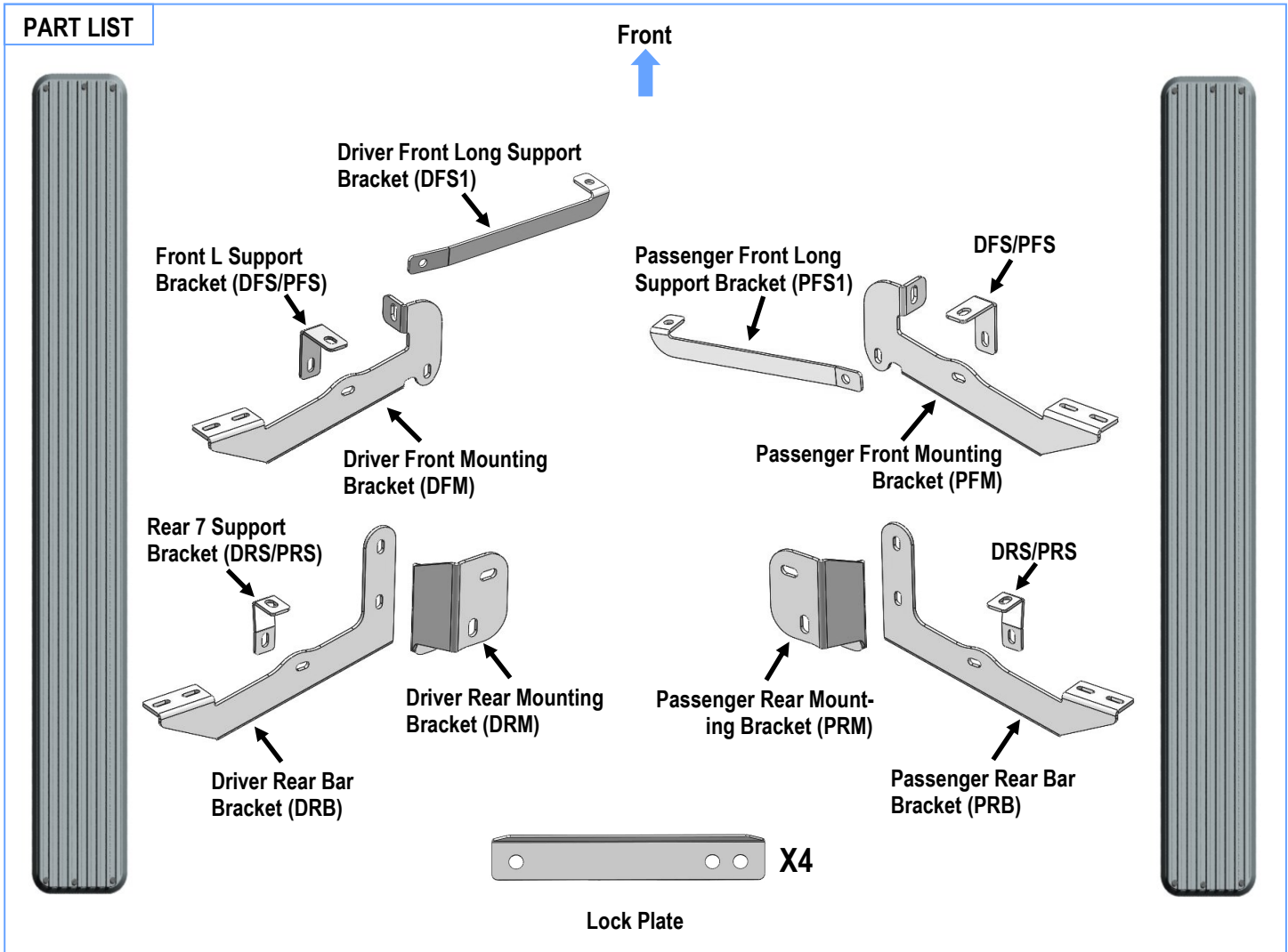
PART#: IB-180

READ INSTRUCTIONS CAREFULLY BEFORE STARTING INSTALLATION. REMOVE CONTENTS FROM BOX AND VERIFY ALL PARTS ARE PRESENT. ASSISTANCE IS RECOMMENDED.

*BODY FRAME MOUNT
*NO DRILLING REQUIRED

Fastener Size	Tightening Torque (ft-lbs)	Required
6mm	6-7	√
8mm	16-18	√
10mm	31-32	√
12mm	56-58	X
14mm	92-94	X

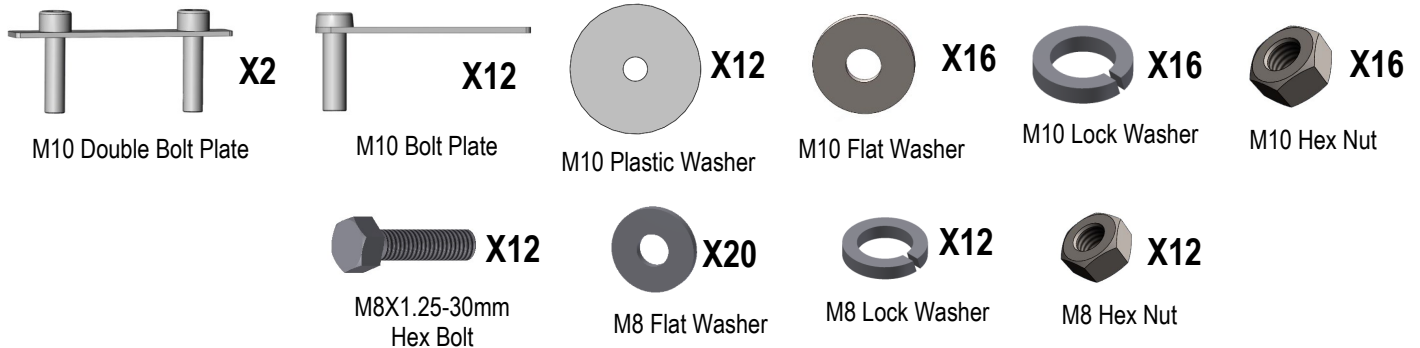
PART LIST



Customer Support: info@iboardauto.com

iBoard®

Hardware Package A (For Bracket Installation)



Hardware Package B (For Aluminum Step Bar Installation Only, Not Supply to Stainless Steel Step Bar)



Hardware Package C (For Stainless Steel Step Bar Installation Only, Not Supply to Aluminum Step Bar)

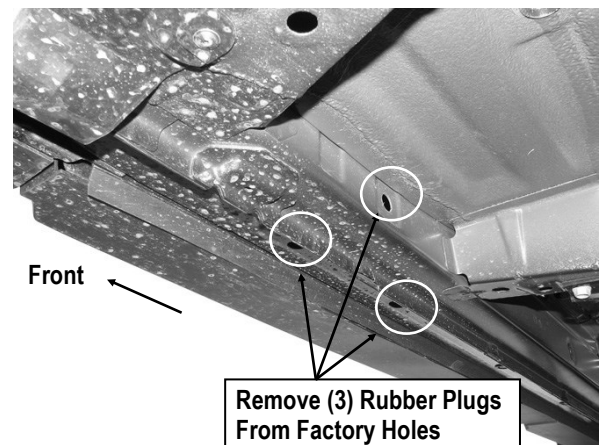


STEP 1

Start installation from the passenger side front of the vehicle. Locate and remove the (3) rubber plugs at the bottom of the outer frame channel closest to the front wheel opening, (**Fig 1**).

STEP 2

Select (2) M10 Bolt Plates and (2) M10 Plastic Washers, (**Fig 2A**). Thread (1) M10 Plastic Washer onto (1) M10 Bolt Plate. **NOTE:** The Plastic Washer is designed to hold the Bolt Plate in place during Bracket installation.

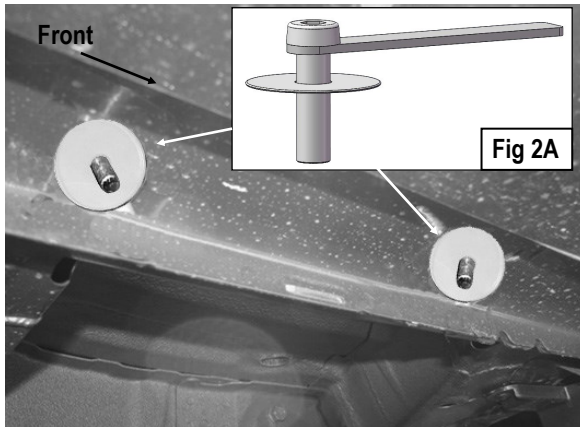


(Fig 1) Passenger Front Mounting Location

iBoard®

Insert (1) M10 Bolt Plate into the first-forward hole with the plate pointed toward the rear of the vehicle, (**Fig 2B**). Thread the M10 Plastic Washer down tight against the body panel. Repeat to install the next M10 Bolt Plate into the second hole with the Plate pointed toward the front of the vehicle, (**Figs 2B & 3**).

Note: The Plates on the (2) Bolt Plates must be pointed toward each other, (**Fig 3**).



(**Fig 2B**) M10 Bolt Plates and M10 Plastic Washers Installation

STEP 3

Select (1) Lock Plate, (**Fig 3**). Slide the Lock Plate over the installed (2) M10 Bolt Plates with the bent side toward the pinch weld. Attach the Lock Plate to the rear M10 Bolt Plate only with (1) M10 Flat Washer, (1) M10 Lock Washer and (1) M10 Hex Nut, (**Fig 4**). Tighten the Hex Nut at this time.

IMPORTANT: Repeat this **Step** to install the other Lock Plate onto the passenger side rear mounting location.

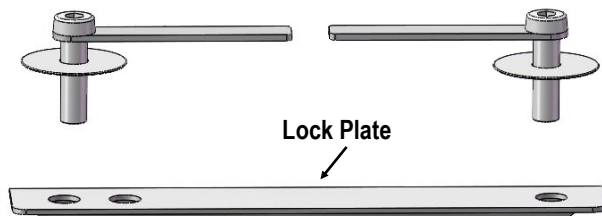
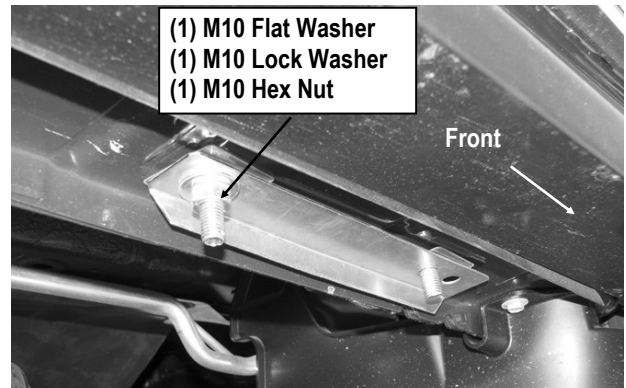


Fig 3



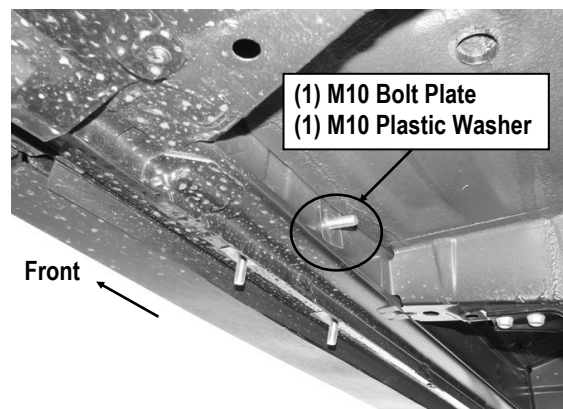
(**Fig 4**) Lock Plate Installed
(On Passenger Side Front Mounting Location)

STEP 4

Locate the round hole on the inner side of the outer frame channel close to the installed lock plate, (**Figs 1 & 5**).

Select (1) M10 Bolt Plate and (1) M10 Plastic Washer, (**Fig 2A**). Partially thread the M10 Plastic Washer onto the M10 Bolt Plate. Insert the M10 Bolt Plate into the hole and thread the M10 Plastic Washer down tight against the body (**Fig 5**).

Note: Mounting areas may be covered with undercoating. Remove the undercoating from body panel on all mounting locations. Make sure the Brackets attach against the body panel flatly.



(**Fig 5**) M10 Bolt Plate Installed
(On the Passenger Side Front Mounting Location)

iBoard®

STEP 5

Select (1) Front L Support Bracket (**DFS/PFS**), (**Fig 6**). Attach the shorter end of the Support Bracket to the installed M10 Bolt Plate with (1) M10 Flat Washer, (1) M10 Lock Washer and (1) M10 Hex Nut, (**Fig 7**). Do not fully tighten hardware at this time.

Note: Front L Support Bracket (**DFS/PFS**) and Rear 7 Support Bracket (**DRS/PRS**) are different, (**Fig 6**).

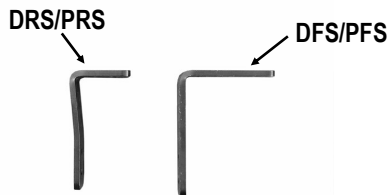
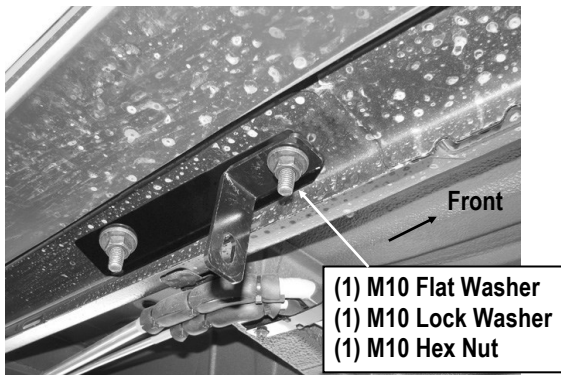


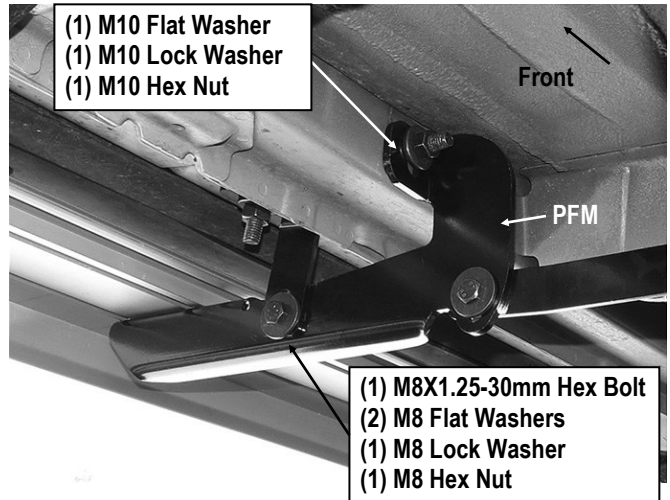
Fig 6



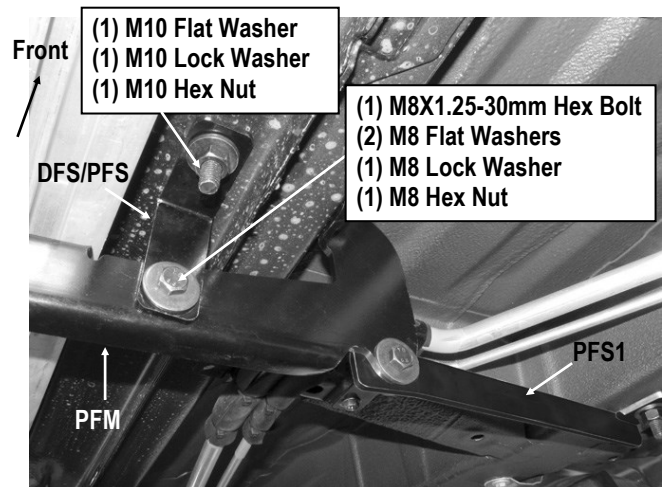
(Fig 7) Front L Support Bracket Installed
(On the Passenger Side Front Mounting Location)

STEP 6

Select the Passenger Front Mounting Bracket (**PFM**). Attach the Bracket to the upper M10 Bolt Plate installed on the back of the frame channel with (1) M10 Flat Washer, (1) M10 Lock Washer and (1) M10 Hex Nut, (**Fig 8**). Attach the Passenger Front Mounting Bracket to the back of the Front L Support Bracket (**DFS/PFS**) with (1) M8X1.25-30mm Hex Bolt, (2) M8 Flat Washers, (1) M8 Lock Washer and (1) M8 Hex Nut, (**Figs 8 & 9**). Do not fully tighten hardware at this time.



(Fig 8) Passenger Front Mounting Bracket (PFM) Installation



(Fig 9) Passenger Front Mounting Bracket (PFM) Installation

iBoard®

STEP 7

Next, locate the factory holes at the bottom of the inner frame channel directly behind the tie down loop where the frame is joined together. Select (1) M10 Bolt Plate and (1) M10 Plastic Washer. Partially thread the M10 Plastic Washer onto the Bolt Plate. Insert the Bolt Plate into the correct factory hole in the frame channel and thread the M10 Plastic Washer down tight against the body, (Figs 10 & 12).

Select (1) Passenger Front Long Support Bracket (PFS1), (Fig 13). Determine the correct factory hole to use:

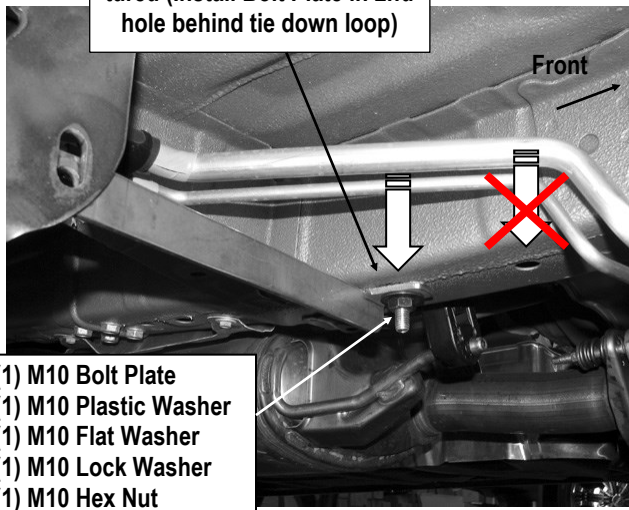
For Passenger side: Use the 2nd factory hole back from the loop, (Fig 10 & 11).

For Driver side: Use the factory hole closest to the loop, (Fig 12).

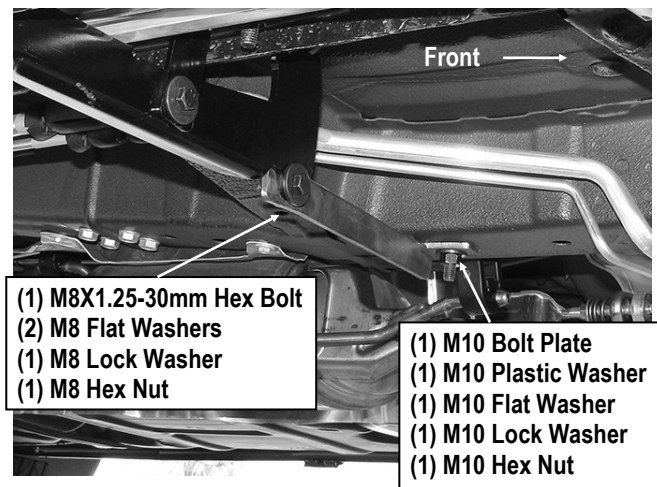
Attach the short end of the Long Support Bracket to the M10 Bolt Plate on the frame channel with (1) M10 Flat Washer, (1) M10 Lock Washer and (1) M10 Hex Nut, (Fig 10 –12).

Note: The driver side and passenger side Long Front Support Brackets do not install in the same manner.

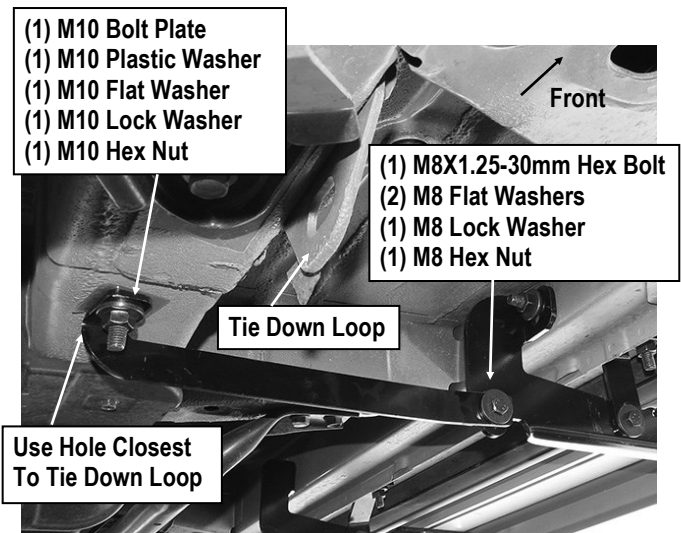
Passenger Inner Location Pictured (Install Bolt Plate in 2nd hole behind tie down loop)



(Fig 10) Passenger Front Long Support Bracket (PFS1) Location (Bolt Support Bracket To Back Side Of Front Bracket)



(Fig 11) Passenger Front Long Support Bracket (PFS1) Location



(Fig 12) Driver Front Long Support Bracket (DRS1) Location (Bolt Support Bracket To Front Side Of Front Mounting Bracket)

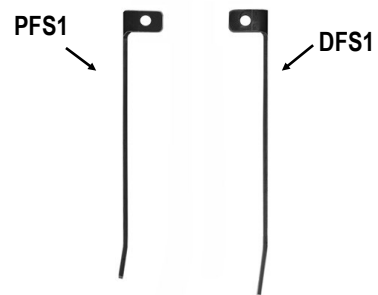


Fig 13

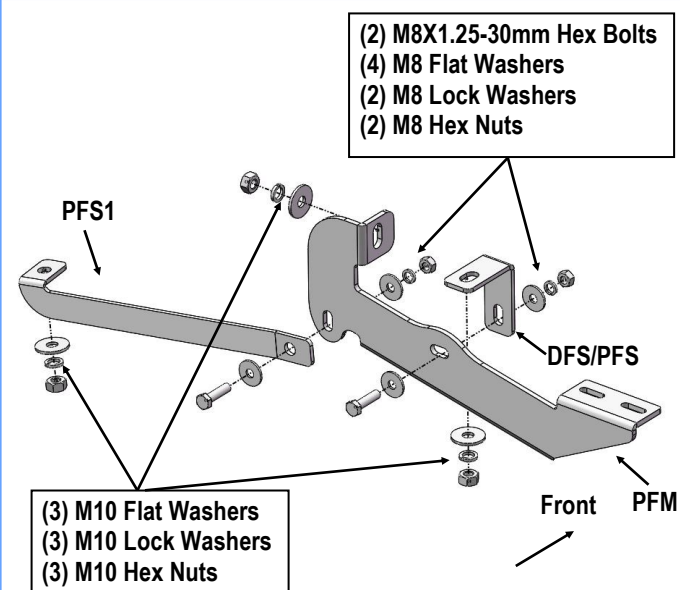
iBoard®

STEP 8

Bolt the long end of the Passenger Front Long Support Bracket (**PFS1**) to the Passenger Front Mounting Bracket (**PFM**) with (1) M8X1.25-30mm Hex Bolt, (2) M8 Flat Washers, (1) M8 Lock Washer and (1) M8 Hex Nut, (**Fig 11 & 14**). Do not fully tighten hardware at this time.

Note: Attach the passenger side Long Support Bracket to the **back** of the Front Mounting Bracket, (**Figs 10 & 11**).

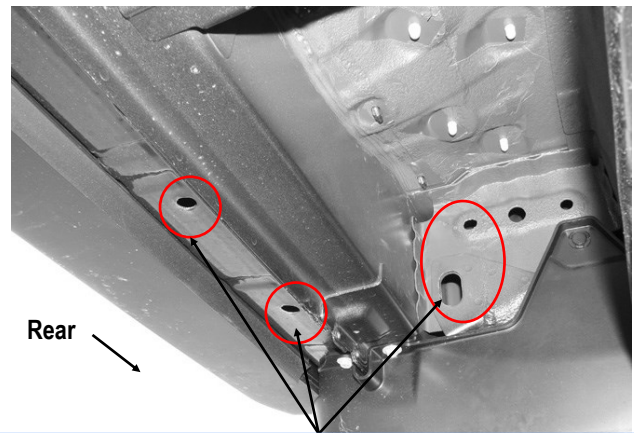
Attach the driver side Long Support Bracket to the **front** of the Front Mounting Bracket, (**Fig 12**).



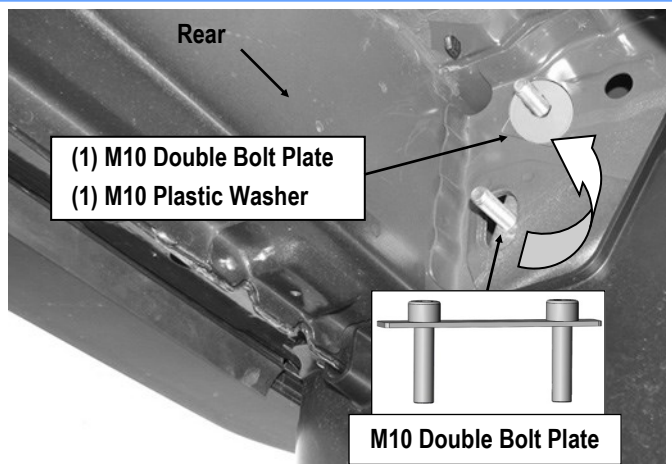
(Fig 14) Passenger Side Front Brackets Location

STEP 9

Move to the rear mounting location in front of the passenger side rear tire opening. Locate the large oval and the round holes in the inner body panel in front of the rear tire, (**Fig 15**). Select (1) M10 Double Bolt Plate and (1) M10 Plastic Washer. Insert the M10 Double Bolt Plate into the oval hole and up and out of the smaller round hole above it. Thread the Plastic Washer onto the M10 Double Bolt Plate in the round hole only, (**Fig 16**)



(Fig 15) Passenger Side Rear Mounting Location



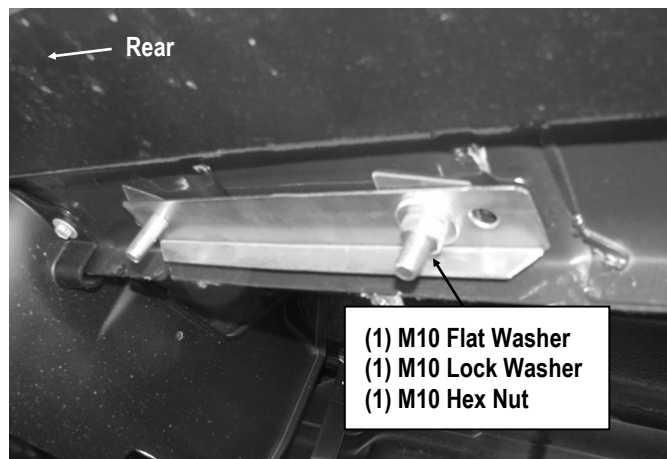
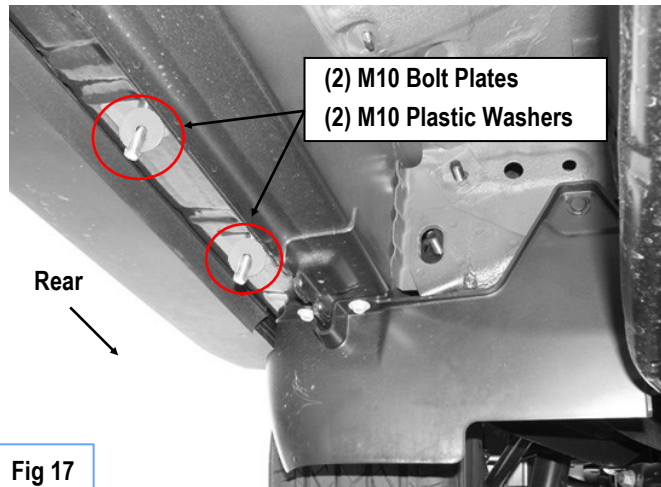
(Fig 16) M10 Double Bolt Plate Installation
(On Passenger Side Rear Mounting Location)

STEP 10

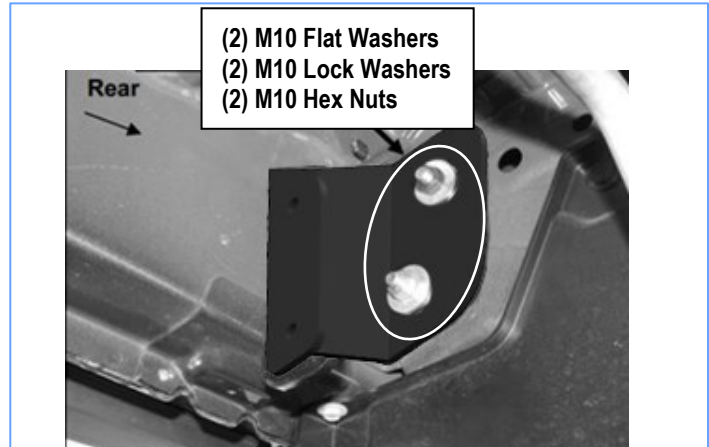
Locate the last (2) round holes along the floor panel, (**Fig 15**). Repeat **Steps 1-3** to install the (2) M10 Bolt Plates and (1) Lock Plate, (**Fig 17 & 18**).

NOTE: Attach the Lock Plate to the front of Bolt Plate only with (1) M10 Flat Washer, (1) M10 Lock Washer and (1) M10 Hex Nut, (**Fig 18**). Tighten the Hex Nut at this time.

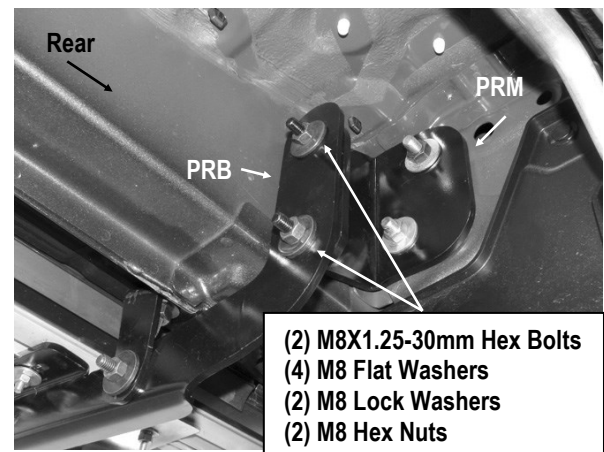
iBoard®



(Fig 18) Lock Plate Installation
(On Passenger Side Rear Mounting Location)



(Fig 19) Passenger Rear Mounting Bracket (PRM) Installation



(Fig 20) Passenger Rear Bar Bracket (PRB) Installation

STEP 11

Select the Passenger Rear Mounting Bracket (**PRM**). Attach the Mounting Bracket to the installed M10 Double Bolt Plate with (2) M10 Flat Washers, (2) M10 Lock Washers and (2) M10 Hex Nuts, (**Fig 19**). Do not fully tighten hardware at this time.

Next, attach the Passenger Rear Bar Bracket (**PRB**) to the front of the Mounting Bracket with (2) M8X1.25-30mm Hex Bolts, (4) M8 Flat Washers, (2) M8 Lock Washers and (2) M8 X1.25 Hex Nuts, (**Fig 20**). Do not fully tighten hardware at this time.

STEP 12

Attach the Passenger Rear 7 Support Bracket (**DRS/PRS**) to the installed M10 Bolt Plate with (1) M10 Flat Washer, (1) M10 Lock Washer and (1) M10 Hex Nut, (**Fig 21 & 22**). Do not fully tighten hardware at this time.

Bolt the Passenger Rear 7 Support Bracket (**DRS/PRS**) to the back of the Passenger Rear Bar Bracket (**PRB**) with (1) M8X1.25-30mm Hex Bolt, (2) M8 Flat Washers, (1) M8 Lock Washer and (1) M8 Hex Nut, (**Fig 21 & 22**). Do not fully tighten hardware at this time.

iBoard®

STEP 13

Once all (2) mounting brackets are installed, then proceed to the Step Bar installation. According to the style of Step Bar proceed to the correct installation STEPS.

Note: Aluminum Step Bar refer to STEP 14; Stainless Steel Step Bar skip to STEP 15.

STEP 14

Aluminum Step Bar Installation:

Select a **Aluminum Step Bar**. Slip (2) M6x1-20mm Square Head Bolts into each bottom channel (**Fig 23**). Carefully position the Step Bar onto the (2) Mounting Brackets.

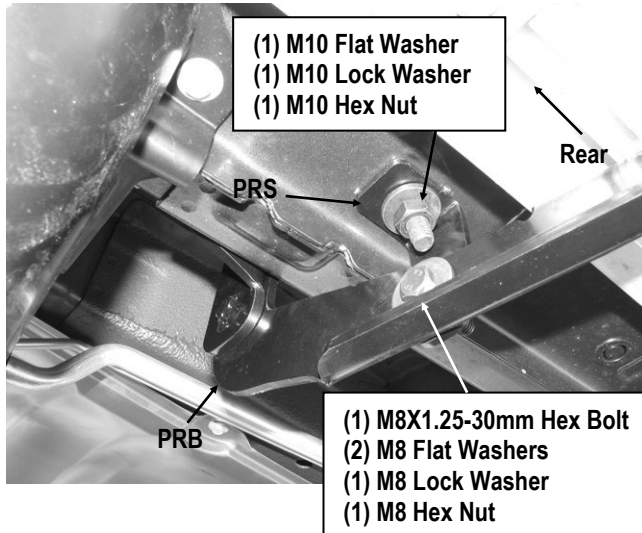
IMPORTANT: Do not slide the Step Bar on the Brackets or the bottom surface of the board will be damaged. Attach the Step Bar to each Mounting Brackets with (2) M6x1-20mm Square Head Bolts, (2) M6 Large Flat Washers and (2) M6 Nylon Lock Nuts, (**Fig 24**). Do not fully tighten at this time.

Level and adjust the Step Bar and fully tighten all hardware.

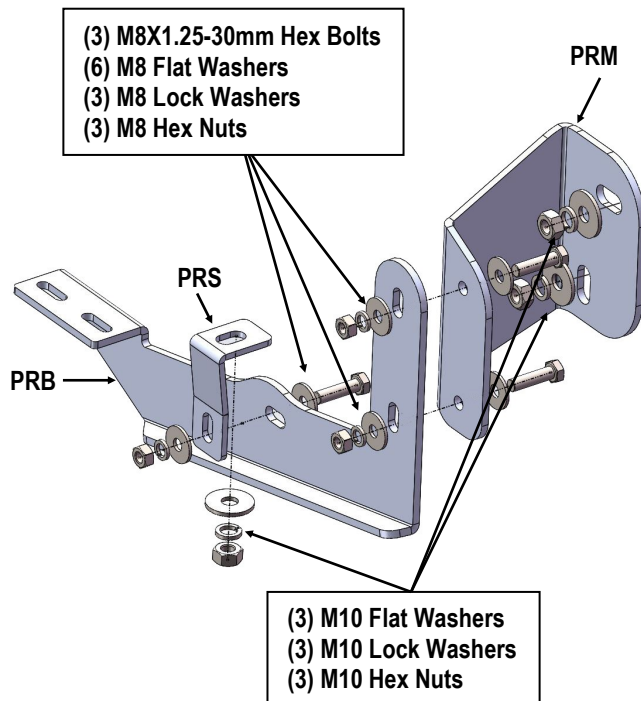
Repeat **Steps 1-14** for the other side Step Bar installation. **The installation is completed!!!**



(Fig 23) Slip M6X1-20mm Square Head Bolts Into The Bottom Channels

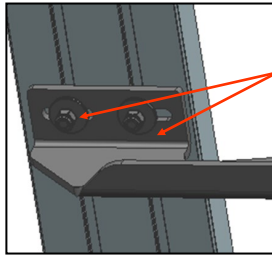


(Fig 21) Passenger Rear 7 Support Bracket (DRS/PRS) Installation



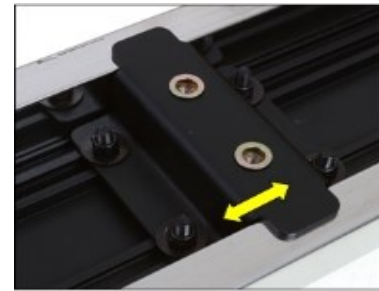
(Fig 22) Passenger Side Rear Bracket Location Pictured

iBoard®



(2) M6X1-20mm Square Head Bolts
(2) M6 Large Flat Washers
(2) M6 Nylon Lock Nuts
IMPORTANT: TORQUE FOR 6MM FASTNERS MUST LESS THAN 6-7 FT-LBS OR THE FASTNERS WILL BE DAMAGED!

(Fig 24) Running Board Installed Onto Mounting Bracket



(Fig 25) Slide & line up the U-Slider with the installed mounting brackets along bottom channel

STEP 15

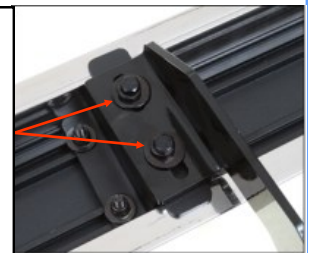
Stainless Steel Step Bar Installation:

Select a **Stainless Steel Step Bar** (with the U-Sliders installed on the Bar). Loose the U-Sliders, reposition the U-Sliders onto the board according to the (2) Installed Mounting Brackets location, (Fig 25). Re-secure the U-Sliders on the Step Bar. Attach the Step Bar to the installed Mounting Brackets with (4) M6X1-20mm Hex Bolts, (4) M6 Large Flat Washers & (4) M6 Lock Washers, (Fig 26). Do not fully tighten hardware at this time.

Level and adjust the Step Bar and fully tighten all hardware.

Repeat **Steps 1-13 and 15** for the other side Step Bar installation. **The installation is completed!!!**

(2) M6X1-20mm Hex Bolts
(2) M6 Large Flat Washers
(2) M6 Lock Washers
IMPORTANT: TORQUE FOR 6MM FASTNERS MUST LESS THAN 6-7 FT-LBS OR THE FASTNERS WILL BE DAMAGED!



(Fig 26) Step Bar Installed on Bracket Installed (Example)

Attention

Do periodic inspections to the installation to make sure that all hardware is secure and tight.

In order to protect your bars/boards, please use only mild soap/non-abrasive products for cleaning.