

iBoard®



Scan for
Installation Video

iBoard® by APS

PART#: IB-224C&H

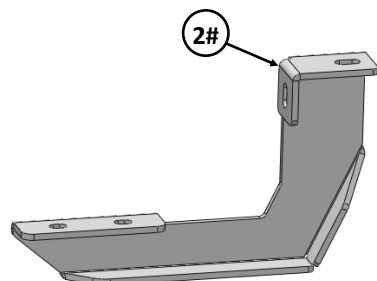
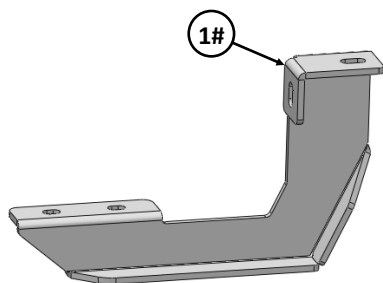
READ INSTRUCTIONS CAREFULLY BEFORE STARTING INSTALLATION. REMOVE CONTENTS FROM BOX AND VERIFY ALL PARTS ARE PRESENT. ASSISTANCE IS RECOMMENDED.

*ROCKER PANEL MOUNT
*NO DRILLING REQUIRED

| Fastener Size | Tightening Torque (ft-lbs) | Required |
|---------------|----------------------------|----------|
| 6mm | 6-7 | X |
| 8mm | 16-18 | √ |
| 10mm | 31-32 | X |
| 12mm | 56-58 | X |
| 14mm | 92-94 | X |

PART LIST

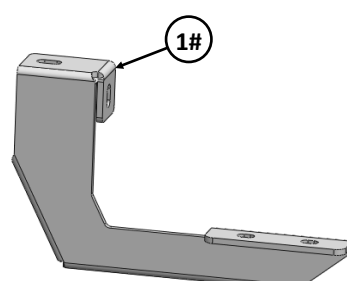
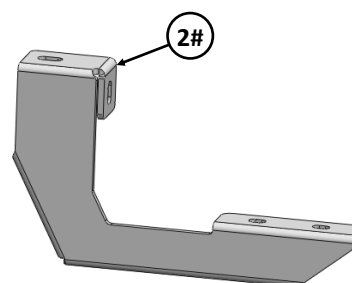
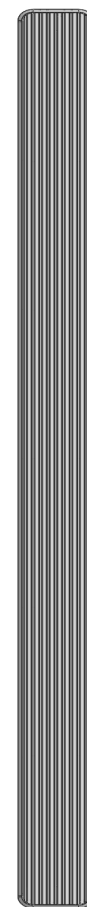
Driver Side Step Bar



Front



Passenger Side Step Bar

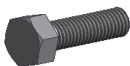


Customer Support: info@iboardauto.com




| Mounting Bracket List | | | | | |
|-----------------------|-----|---|------|-----|---|
| Item | QTY | Description | Item | QTY | Description |
| 1# | 2 | Driver Front / Passenger Rear Mounting Brackets | 2# | 2 | Passenger Front / Driver Rear Mounting Brackets |


| Hardware Package A (For Bracket Installation) | | | | | |
|---|-----|------------------------|------|-----|-----------------|
| Item | QTY | Description | Item | QTY | Description |
| 1# | 6 | M8X1.25-25mm Hex Bolts | 3# | 6 | M8 Lock Washers |
| 2# | 12 | M8 Large Flat Washers | 4# | 6 | M8 Hex Nuts |



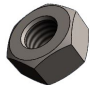
1#



2#

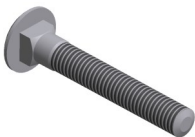


3#




4#


| Hardware Package B (For Stainless Steel Step Bar Installation) | | | | | |
|--|-----|-----------------------------|------|-----|---------------------------------|
| Item | QTY | Description | Item | QTY | Description |
| 1# | 8 | M8X1.25-35mm Carriage Bolts | 3# | 8 | M8 Nylon Lock Nuts |
| 2# | 8 | M8 Large Flat Washers | 4# | 4 | Sliders (Packed with Step Bars) |



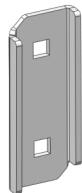
1#



2#



3#



4#

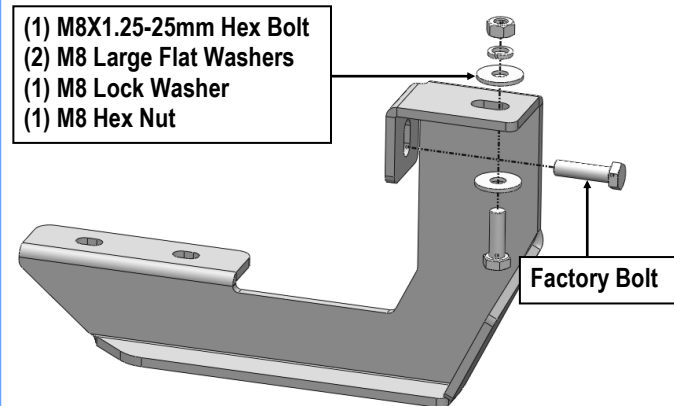


STEP 1

Start installation from the driver side front of the vehicle. Locate the (1) factory bolt in the bottom of the outer frame channel. Remove Factory bolt. Position the Mounting Bracket up to the frame rail. Secure the Mounting Bracket with the (1) factory bolts. Do not fully tighten hardware at this time.

STEP 2

Select (1) Driver Front Mounting Bracket. Bolt the Mounting Bracket to the vehicle with (1) M8X1.25-25mm Hex Bolt, (2) M8 Large Flat Washers, (1) M8 Lock Washer and (1) M8 Hex Nut, (Fig 1). Do not fully tighten hardware at this time.

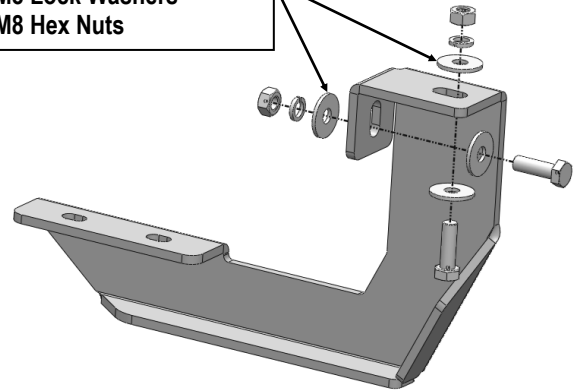


(Fig 1) Driver Side Front Mounting Bracket Installation

STEP 3

Move to the rear mounting location. Select (1) Driver Rear Mounting Bracket. Bolt the Mounting Bracket to the vehicle with (2) M8X1.25-25mm Hex Bolts, (4) M8 Large Flat Washers, (2) M8 Lock Washers and (2) M8 Hex Nuts, (Fig 2). Do not fully tighten hardware at this time.

- (2) M8X1.25-25mm Hex Bolts
- (4) M8 Large Flat Washers
- (2) M8 Lock Washers
- (2) M8 Hex Nuts



(Fig 2) Driver Side Rear Mounting Bracket Installation

STEP 4

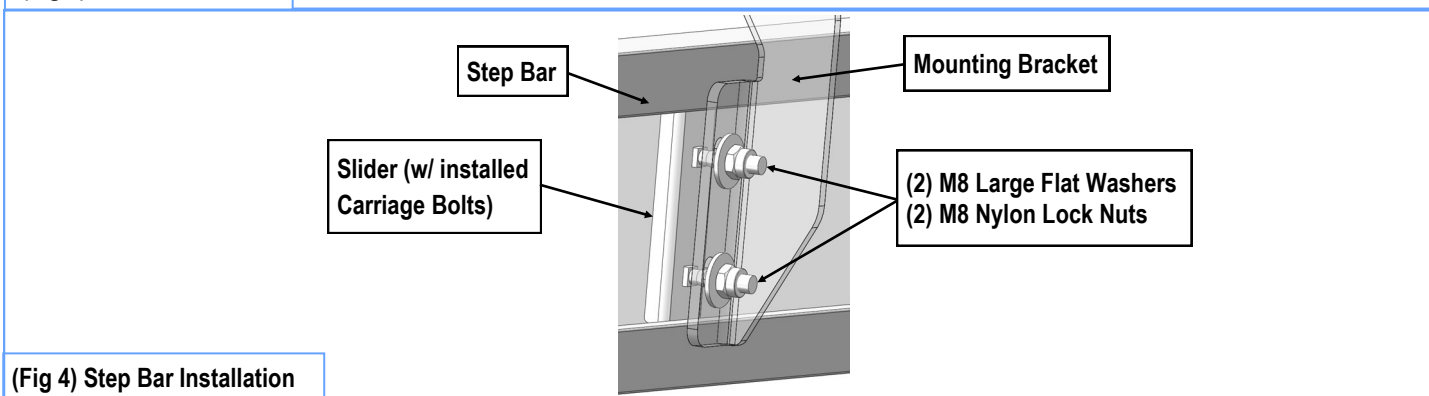
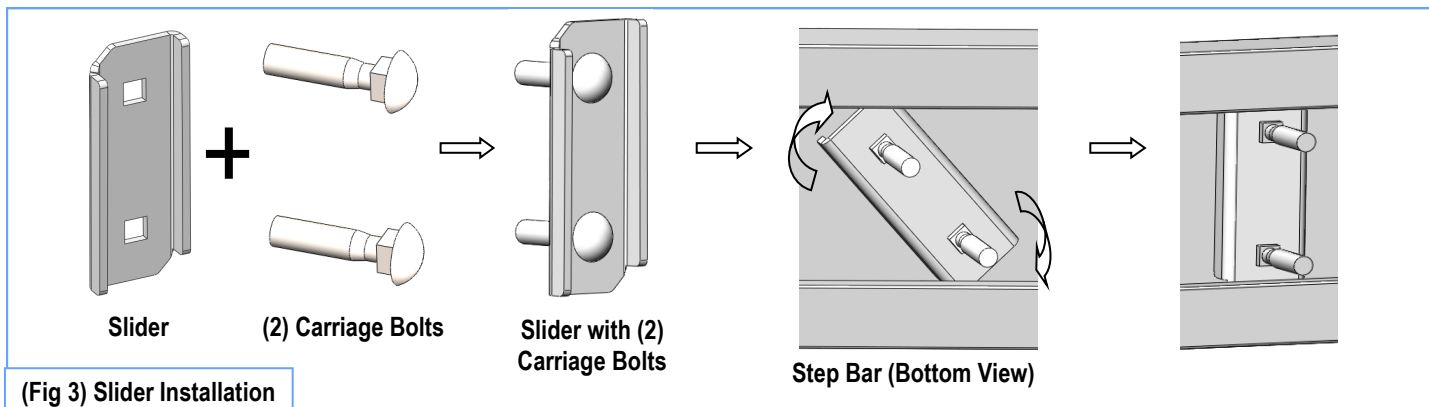
Once all (2) Driver side mounting brackets are installed, then proceed to the Step Bar installation. (Figs 3 & 4)

- (1) Select (1) Slider and (2) M8X1.25-35mm Carriage Bolts;
- (2) Install (2) M8X1.25-35mm Carriage Bolts in (1) Slider.
- (3) Slide the Slider (with carriage bolts) to the **Step Bar**.
- (4) Repeat to install the other (1) slider to the step bar.
- (5) Attach the Step Bar (with the Sliders) onto the installed mounting brackets. Position the Sliders to the installed brackets. Secure the Step Bar to the installed Brackets by using (4) M8 Large Flat Washers and (4) M8 Nylon Lock Nuts and (2) Sliders, (Fig 4). Do not fully tighten hardware at this time.

Note: The Sliders are packed with the Step Bars.

Level and adjust the Step Bar and fully tighten all hardware.

Repeat **Steps 1-4** for the other side Step Bar installation. **The installation is completed!!!**



Attention

Do periodic inspections to the installation to make sure that all hardware is secure and tight.
In order to protect your bars/boards, please use mild soap/non-abrasive products for cleaning only.