

# iBoard®

## iBoard® by APS

PART#: IB-337

READ INSTRUCTIONS CAREFULLY BEFORE STARTING INSTALLATION. REMOVE CONTENTS FROM BOX AND VERIFY ALL PARTS ARE PRESENT. ASSISTANCE IS RECOMMENDED.

\*BODY FRAME MOUNT

\*DRILLING IS REQUIRED/ CUTTING IS REQUIRED

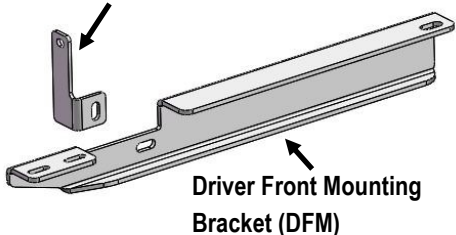
Fastener Size	Tightening Torque (ft-lbs)	Required
6mm	6-7	√
8mm	16-18	√
10mm	31-32	√
12mm	56-58	X
14mm	92-94	√

### PART LIST

Front  
↑

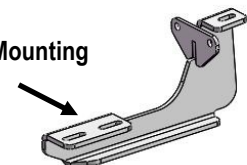


Driver Front Support Bracket (DFS)

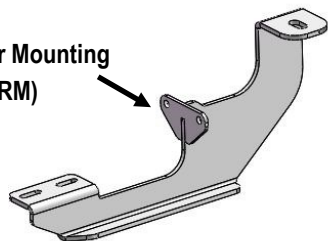


Driver Front Mounting Bracket (DFM)

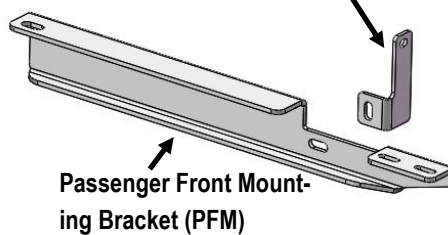
Driver Center Mounting Bracket (DCM)



Driver Rear Mounting Bracket (DRM)

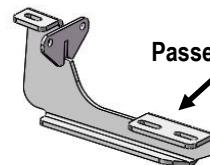


Passenger Front Support Bracket (PFS)

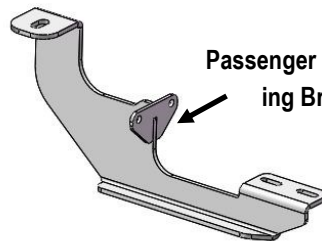


Passenger Front Mounting Bracket (PFM)

Passenger Center Mounting Bracket (PCM)



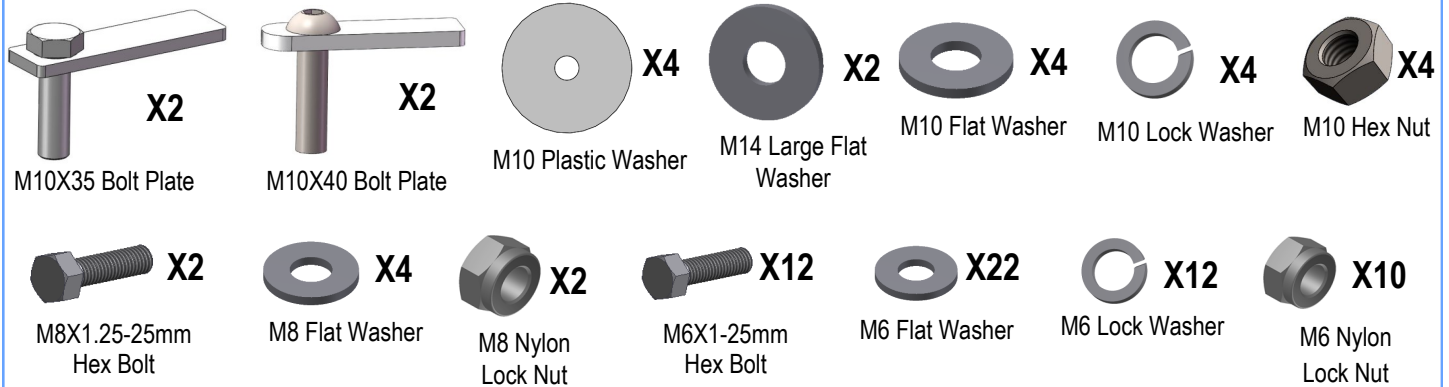
Passenger Rear Mounting Bracket (PRM)



Customer Support: [info@iboardauto.com](mailto:info@iboardauto.com)

# iBoard®

## Hardware Package A (For Bracket Installation)



## Hardware Package B (For Aluminum Step Bar Installation Only, Not Supply to Stainless Steel Step Bar)



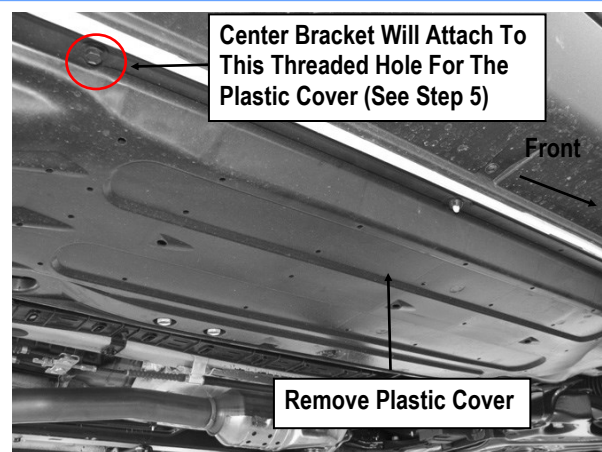
## Hardware Package C (For Stainless Steel Step Bar Installation Only, Not Supply to Aluminum Step Bar)



## STEP 1

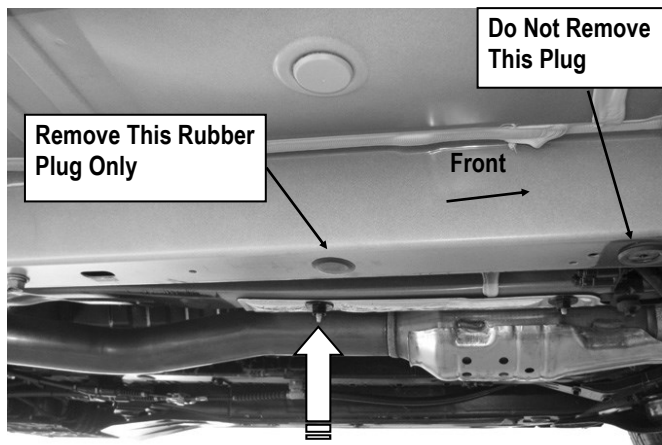
Start installation from the passenger side front of the vehicle. Locate and remove the plastic cover attached to the bottom of the floor panel, (Fig 1). Next, locate and remove the rubber plug in the bottom of the inner frame channel, (Fig 2).

Insert (1) M10X35 Bolt Plate with (1) M10 Plastic Washer into the hole and thread the Plastic Washer down tight to help hold the Bolt Plate in position, (Fig 3).

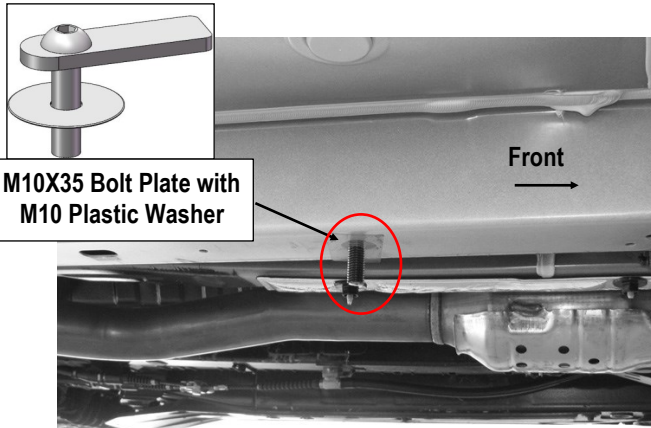


(Fig 1) Passenger Side Front Mounting Location Pictured

# iBoard®



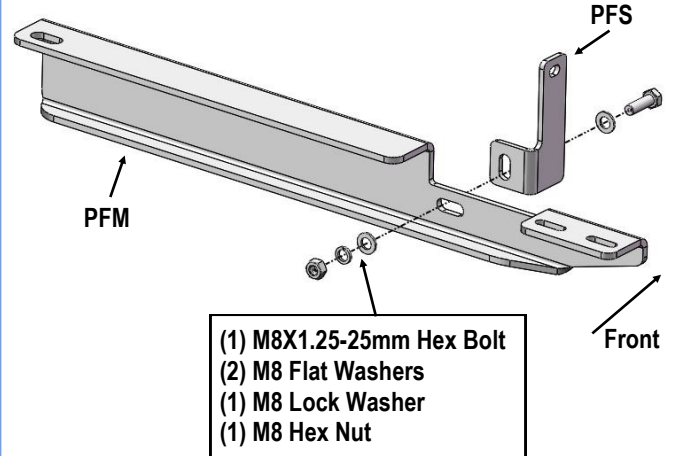
(Fig 2) Passenger Side Front Mounting Location Pictured



(Fig 3) Insert (1) M10X35 Bolt Plate

## STEP 2

Select (1) Passenger Front Mounting Bracket (**PFM**) and (1) Passenger Front Support Bracket (**PFS**). Bolt the bent end of the Support Bracket to the front facing side of the Passenger Front Mounting Bracket with (1) M8X1.25-25mm Hex Bolt, (2) M8 Flat Washers, (1) M8 Lock Washer and (1) M8 Hex Nut, (**Fig 4**). Do not fully tighten hardware at this time.

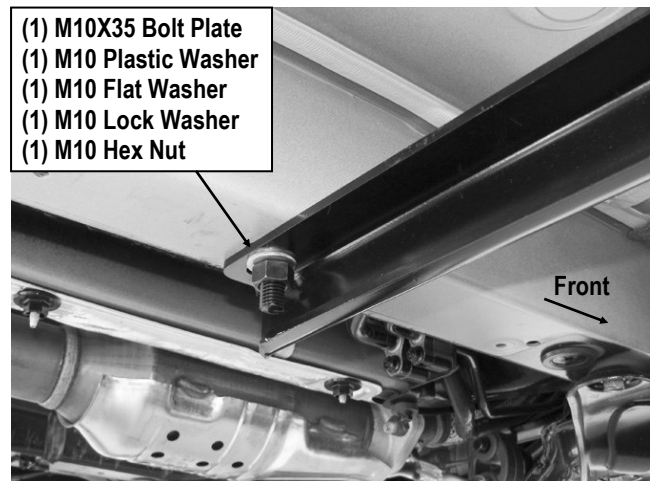


(Fig 4) Passenger Side Front Bracket Assembly

## STEP 3

Next, attach the assembled Passenger Front Mounting Bracket to the M10X35 Bolt Plate with (1) M10 Flat Washer (1) M10 Lock Washer and (1) M10 Hex Nut, (**Fig 5**). Do not fully tighten hardware at this time.

Line up the mounting tab on the Front Support Bracket with the back of the pinch weld. Use a clamp to temporarily attach the Support Bracket to the pinch weld, (**Fig 6**).



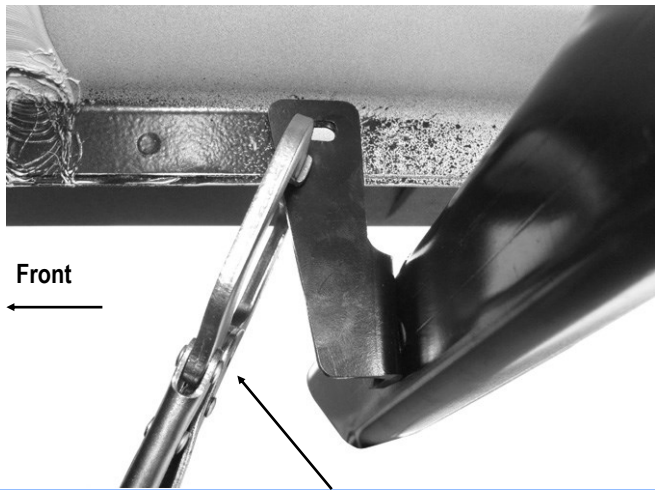
(Fig 5) Passenger Side Front Mounting Bracket Installation

# iBoard®

## STEP 5

Continue along the side of the vehicle and locate the rubber plug in the bottom of the floor panel directly in front of the rear suspension mount, **(Fig 8)**. Remove the plug. Repeat **Step 1** to insert (1) M10X40 Bolt Plate with (1) M10 Plastic Washer into the hole, **(Fig 9)**.

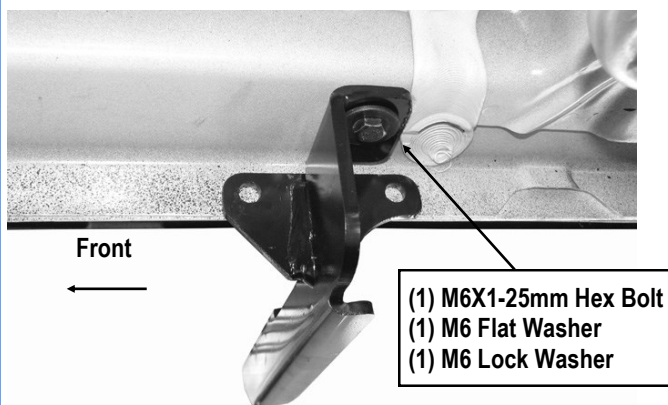
Select the Passenger Rear Mounting Bracket **(PRM)**. Slide (1) M14 Large Flat Washer over the M10X40 Bolt Plate and M10 Plastic Washer, **(Fig 10)**. Then, attach the Passenger Rear Mounting Bracket to the M10X40 Bolt Plate with (1) M10 Flat Washer, (1) M10 Lock Washer and (1) M10 Hex Nut, **(Fig 11)**. Do not fully tighten hardware at this time.



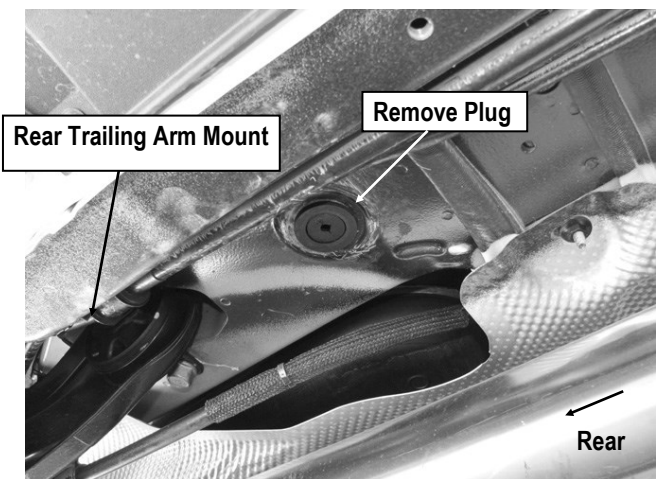
**(Fig 6)** Use Clamp To Temporarily Hold Front Support Bracket Up To Pinch Weld Until Final Installation

## STEP 4

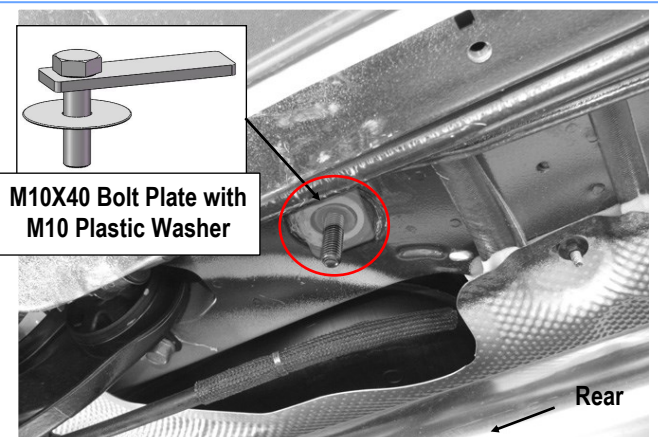
Move to the passenger side center of the vehicle. Locate the last/rear threaded hole in the outer frame channel for the plastic cover removed in **Step 1, (Fig 1)**. Select the Passenger Center Mounting Bracket **(PCM)**, bolt the Bracket to the threaded hole with (1) M6X1-25mm Hex Bolt, (1) M6 Lock Washer and (1) M6 Flat Washer, **(Fig 7)**. Do not fully tighten the hardware at this time.



**(Fig 7)** Passenger Side Center Mounting Bracket Installation

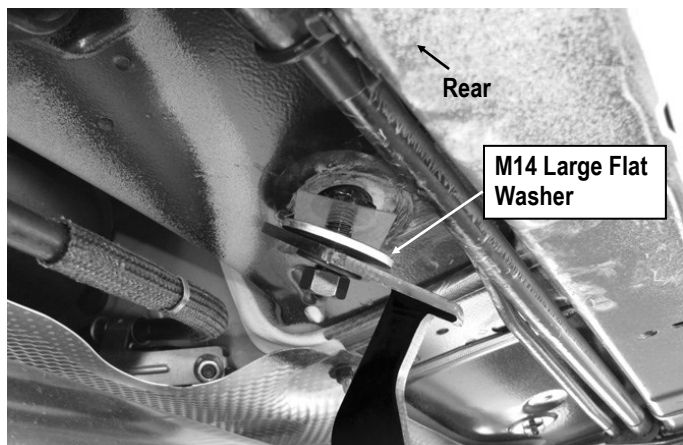


**(Fig 8)** Passenger Side Rear Mounting Location Pictured

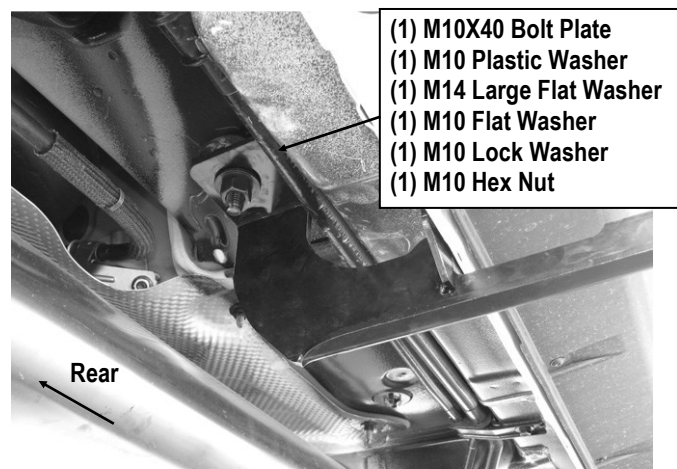


**(Fig 9)** Insert (1) M10X40 Bolt Plate

# iBoard®



(Fig 10) Insert M14 Large Flat Washer Between The Bracket And The Body Panel



(Fig 11) Passenger Side Rear Mounting Bracket Installation

## STEP 6

Push the mounting tab on the Rear Mounting Bracket up tight against the back of the pinch weld. Use a clamp to help hold the Bracket in place if necessary. Do not fully tighten hardware at this time.

## STEP 7

Once all (3) mounting brackets are installed, then proceed to the Step Bar installation. According to the style of Step Bar proceed to the correct installation STEPS.

**Note:** Aluminum Step Bar refer to STEP 8; Stainless Steel Step Bar skip to STEP 9.

## STEP 8

### Aluminum Step Bar Installation:

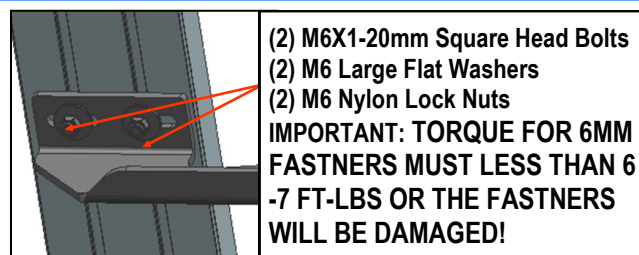
Select a **Aluminum Step Bar**. Slip (3) M6x1-20mm Square Head Bolts into each bottom channel (Fig 12). Carefully position the Step Bar onto the (3) Mounting Brackets.

**IMPORTANT:** Do not slide the Step Bar on the Brackets or the bottom surface of the board will be damaged. Attach the Step Bar to each Mounting Brackets with (2) M6x1-20mm Square Head Bolts, (2) M6 Large Flat Washers and (2) M6 Nylon Lock Nuts, (Fig 13). Do not fully tighten at this time.

Level and adjust the Step Bar and fully tighten all hardware. Repeat **Steps 1-8** for the other side Step Bar installation.



(Fig 12) Slip M6X1-20mm Square Head Bolts Into The Bottom Channels



(Fig 13) Running Board Installed Onto Mounting Bracket

# iBoard®

## STEP 9

### Stainless Steel Step Bar Installation:

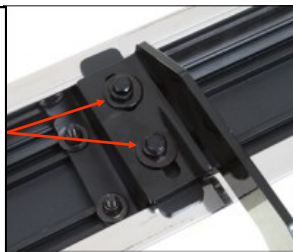
Select a **Stainless Steel Step Bar** (with the U-Sliders installed on the Bar). Loosen the U-Sliders, reposition the U-Sliders onto the board according to the (3) Installed Mounting Brackets location, **(Fig 14)**. Re-secure the U-Sliders on the Step Bar. Attach the Step Bar to the installed Mounting Brackets with (6) M6X1-20mm Hex Bolts, (6) M6 Large Flat Washers & (6) M6 Lock Washers, **(Fig 15)**. Do not fully tighten hardware at this time.

Level and adjust the Step Bar and fully tighten all hardware. Repeat **Steps 1-7 and 9** for the other side Step Bar installation.



(Fig 14) Slide & line up the U-Slider with the installed mounting brackets along bottom channel

(2) M6X1-20mm Hex Bolts  
(2) M6 Large Flat Washers  
(2) M6 Lock Washers  
**IMPORTANT: TORQUE FOR 6MM FASTNERS MUST LESS THAN 6-7 FT-LBS OR THE FASTNERS WILL BE DAMAGED!**



(Fig 15) Step Bar Installed on Bracket Installed (Example)

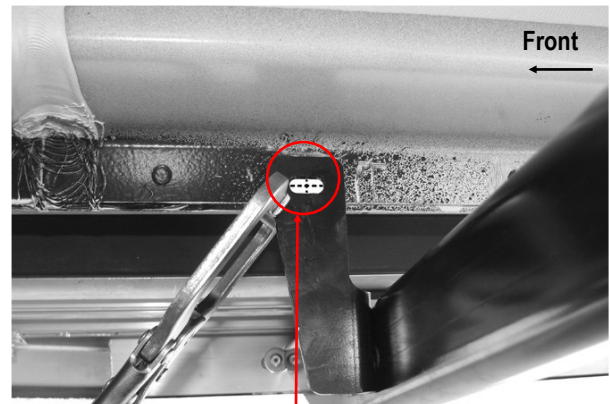
## STEP 10

Level and adjust the Running Board properly and tighten all Bracket to vehicle hardware. Make sure that the Running Board is level and that the mounting holes in the Brackets are not too close to the bottom edge of the pinch weld before marking any of the holes for the Brackets, **(Fig 16)**.

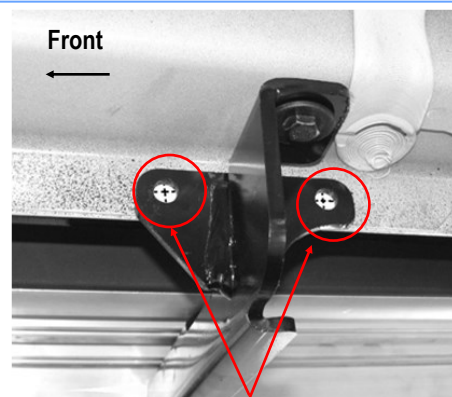
Mark the front, center and rear Support Bracket slot locations onto the back of the pinch weld, **(Fig 17)**. Temporarily remove the Running Board and Brackets. Remove the screws attaching the plastic rocker cover to the bottom of the body, **(Fig 11)**.

Drill 1/4" holes, (5 total), through the pinch weld at the previously marked front, center and rear Bracket locations.

**IMPORTANT:** Be careful to avoid damaging the outer plastic rocker cover.



(Fig 16) Marking And Drilling Holes (Passenger Side Front Mounting Bracket )



(Fig 17) Marking And Drilling Holes (Passenger Side Center

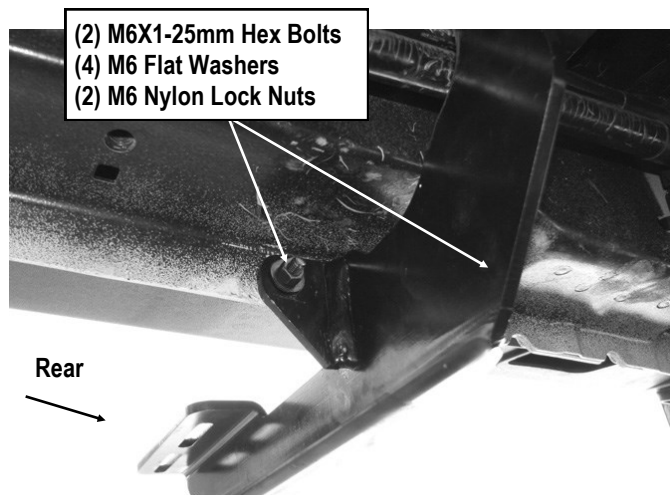
# iBoard®

## STEP 11

Remove the Passenger Front Support Bracket (PFS) from the Front Mounting Bracket. Bolt the Support Bracket to the back of the pinch weld with (1) M6X1-25mm Hex Bolt, (2) M6 Flat Washers and (1) M6 Nylon Lock Nut. Do not fully tighten hardware at this time.

## STEP 12

Move to the center location and reinstall the Center Mounting Bracket. Bolt the mounting tab on the Bracket to the pinch weld with (2) M6X1-25mm Hex Bolt, (4) M6 Flat Washers and (2) M6 Nylon Lock Nut. Do not fully tighten hardware at this time. Move to the rear Bracket location. Reinstall the Bracket and repeat to attach the rear support tab on the Bracket, (Fig 18).



(Fig 18) Driver Side Rear Bracket Installation

## STEP 13

Reattach the lower rocker cover with the factory screws. **NOTE:** Trim the edge of the rocker cover around the 6mm Hex Bolts in pinch weld as required for proper fit and wrench access.

## STEP 14

Temporarily attach the Front Mounting Bracket to the Front Support Bracket and Bolt Plate. Hold the large plastic cover removed in **Step 1** up against the bottom of the front Bracket. Mark the location of the Bracket onto the inside of the cover, (Fig 19). Remove the front Bracket. Cut a slot in the cover with a sharp knife or hacksaw blade, (Fig 20). **IMPORTANT:** Only remove material necessary to clear the front Bracket. Do not cut through the inner or outer edge of the cover.

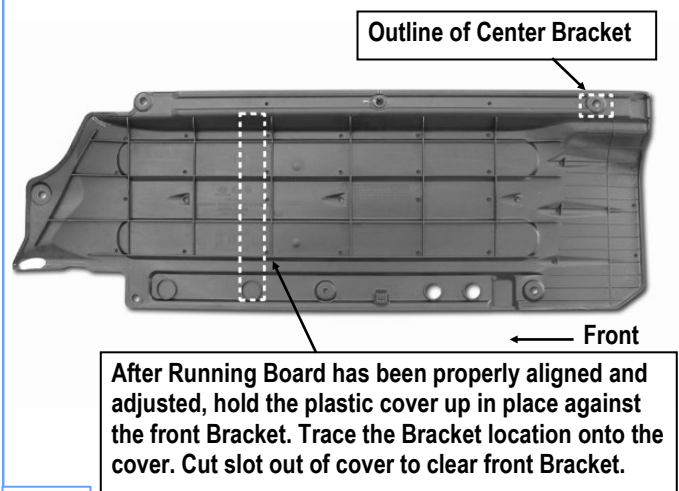


Fig 19

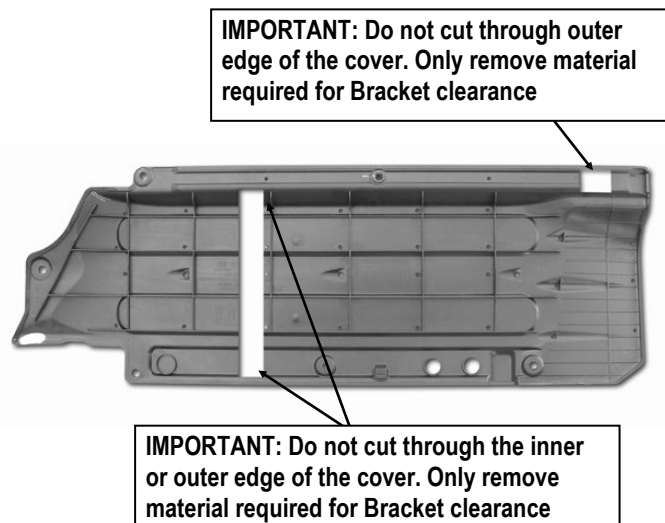


Fig 20

# iBoard®

## STEP 13

Next, locate the hole in the cover for the Center Mounting Bracket mounting location. Trace the Bracket outline onto the cover. Cut a section out of the cover to clear the mounting tab on the Bracket, **(Fig 20)**. **IMPORTANT:** Be very careful and do not cut complete through the outer edge. Remove the center Bracket and reinstall the plastic cover with the factory hardware.

Reinstall the front and center Brackets.

## STEP 16

Reinstall the Running Board. Level and adjust the Running Board and fully tighten all hardware.

## STEP 17

Repeat **Steps 1-17** for other side Running Board installation. The installation is completed.

### Attention

**Do periodic inspections to the installation to make sure that all hardware is secure and tight.**

**In order to protect your bars/boards, please use only mild soap/non-abrasive products for cleaning.**