



## iBoard® by APS

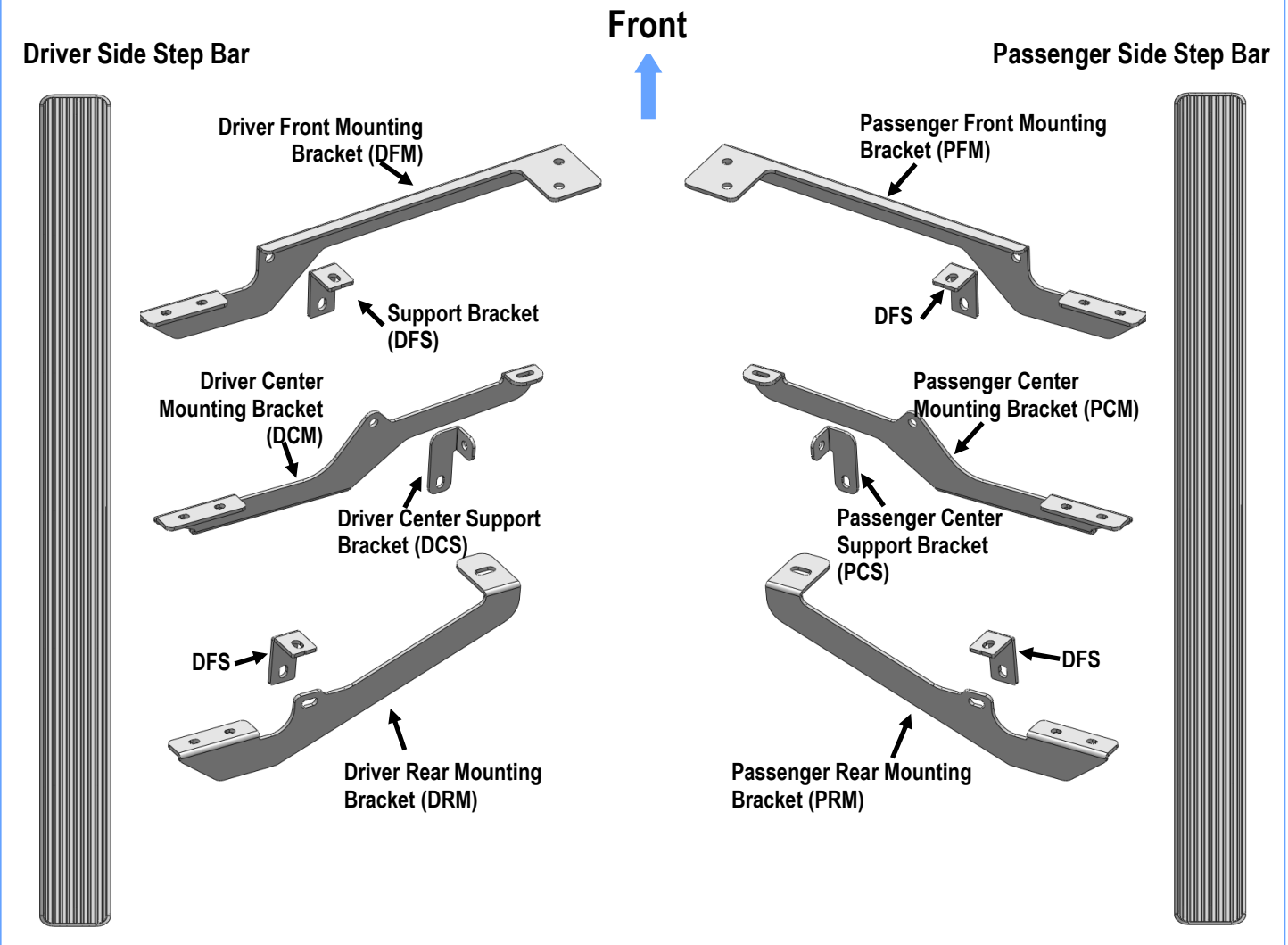
PART#: IB-272C&H

READ INSTRUCTIONS CAREFULLY BEFORE STARTING INSTALLATION. REMOVE CONTENTS FROM BOX AND VERIFY ALL PARTS ARE PRESENT. ASSISTANCE IS RECOMMENDED.

\*ROCKER PANEL MOUNT  
\*NO DRILLING REQUIRED

Fastener Size	Tightening Torque (ft-lbs)	Required
6mm	6-7	√
8mm	16-18	√
10mm	31-32	√
12mm	56-58	X
14mm	92-94	X

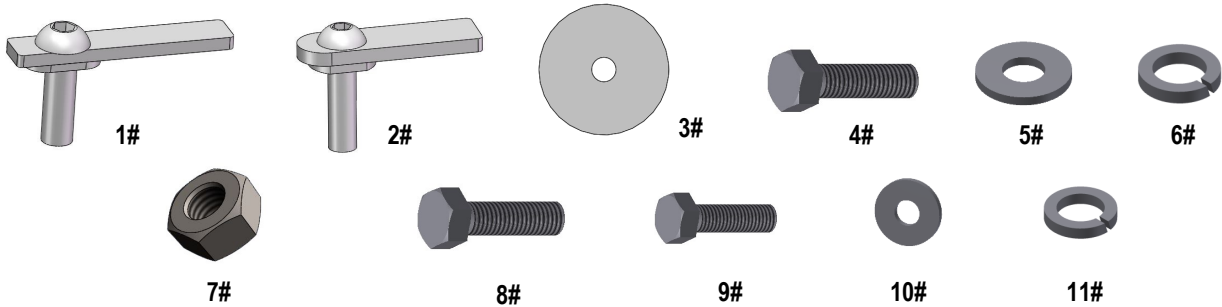
### PART LIST





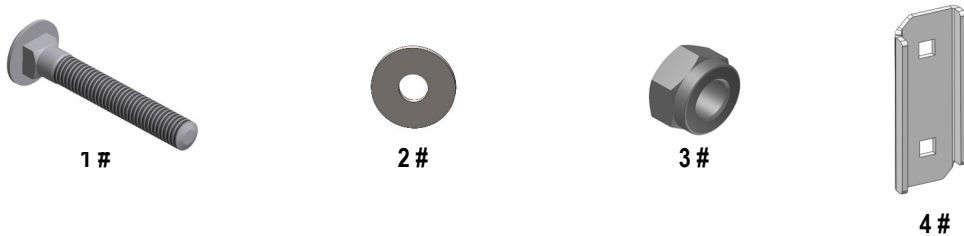
## Hardware Package A (For Bracket Installation)

Item	QTY	Description	Item	QTY	Description
1#	2	M10X40 Long Bolt Plates	7#	14	M10 Hex Nuts
2#	6	M10X40 Short Bolt Plates	8#	4	M10X1.25-35mm Fine Thread Hex Bolts
3#	8	M10 Plastic Washers	9#	2	M6X1-25mm Hex Bolts
4#	6	M10X1.5-35mm STD Thread Hex Bolts	10#	2	M6 Large Flat Washers
5#	24	M10 Large Flat Washers	11#	2	M6 Lock Washers
6#	18	M10 Lock Washers			



## Hardware Package B (For Stainless Steel Step Bar Installation)

Item	QTY	Description	Item	QTY	Description
1#	12	M8X1.25-35mm Carriage Bolts	3#	12	M8 Nylon Lock Nuts
2#	12	M8 Large Flat Washers	4#	6	Sliders (Packed with Step Bars)

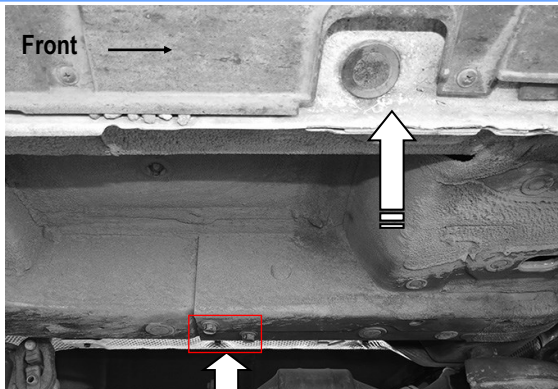




## STEP 1

Start installation from the passenger side front of the vehicle. Locate and remove the rubber plug on the body well located next to the outer pinch weld, **(Fig 1)**.

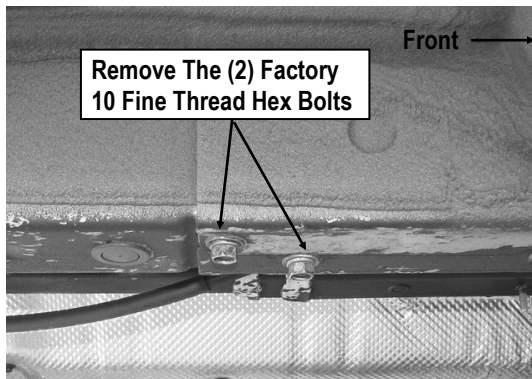
**NOTE:** All mounting locations may be covered with sealant or thick undercoating. Brackets must fit flush against sheet metal. Scrape off any excess sealant or undercoating.



**(Fig 1)** Passenger Side Front Mounting Location

## STEP 2

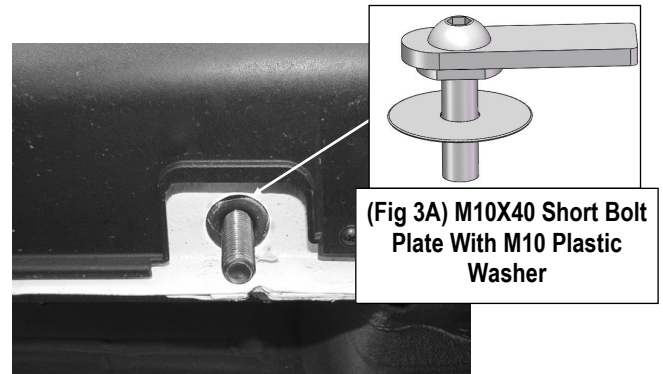
Remove the (2) M10 fine thread factory hex bolts located at the bottom of the inner frame channel, **(Fig 2)**. Select the Passenger Front Mounting Bracket **(PFM)**. Attach the inner end of the Bracket to the (2) threaded holes on the frame using (2) M10X1.25-35mm Fine Thread Hex Bolts, (2) M10 Lock Washers and (2) M10 Large Flat Washers, **(Fig 5)**. Do not fully tighten hardware at this time.



**(Fig 2)** Passenger Side Front Mounting Location

## STEP 3

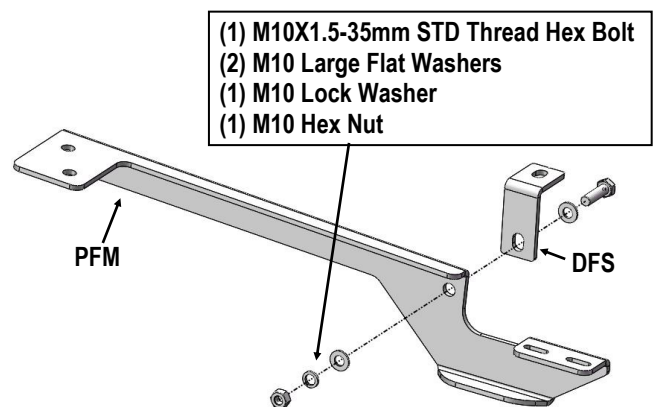
Insert (1) M10X40 Short Bolt Plate with (1) M10 Plastic Washer into the hole and center it in the hole, **(Fig 3A & 3B)**. Attach the shorter bent end of the Support Bracket to the M10 Bolt Plate with (1) M10 Large Flat Washer, (1) M10 Lock Washer and (1) M10 Hex Nut, **(Fig 5)**. **NOTE:** Rotate Bracket toward the rear of the vehicle. Do not fully tighten hardware at this time.



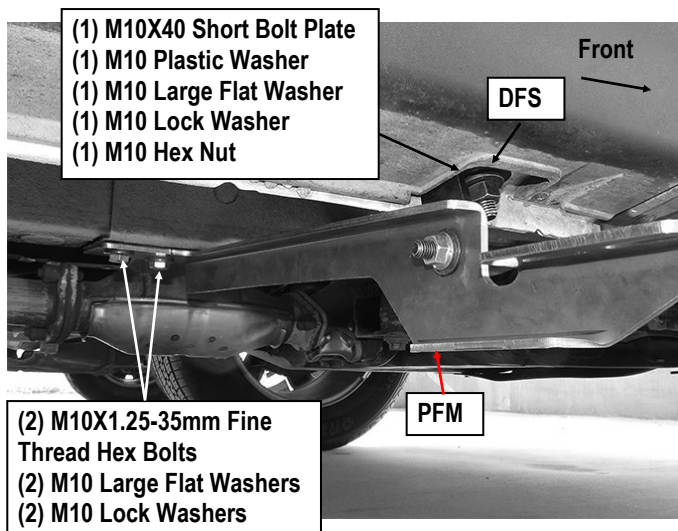
**(Fig 3B)** Insert M10X40 Short Bolt Plate

## STEP 4

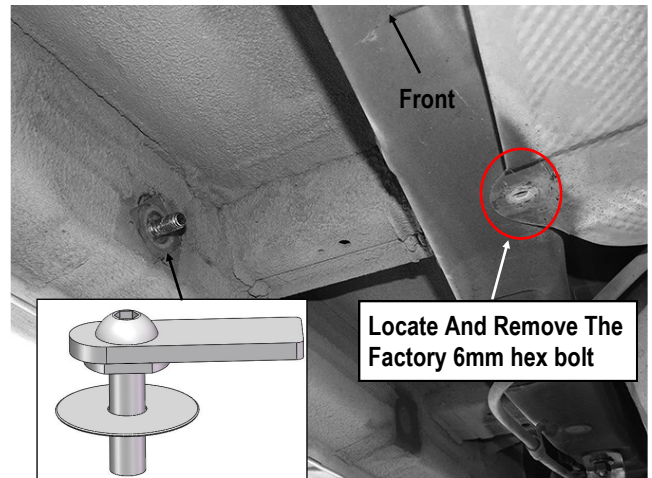
Next, attach the Support Bracket to the Passenger Front Mounting Bracket **(PFM)** with (1) M10X1.5-35mm STD Thread Hex Bolt, (2) M10 Large Flat Washer, (1) M10 Lock Washers and (1) M10 Hex Nuts, **(Fig 4 & 5)**. Do not fully tighten hardware at this time.



**(Fig 4)** Passenger Front Support Bracket Assembly



(Fig 5) Passenger Front Brackets Installation

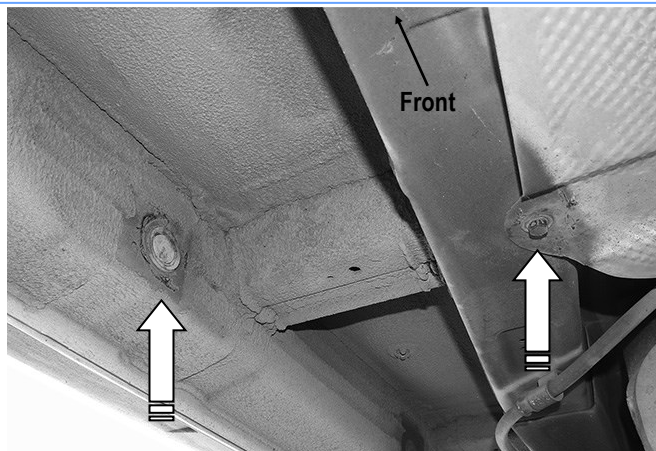


(Fig 7) Insert M10X40 Short Bolt Plate

## STEP 5

Move to passenger side center mounting location. Locate and remove the rubber plug in the back side of the inner body panel, (Fig 6). Select (1) M10X40 Short Bolt Plate with (1) M10 Plastic Washer, (Fig 3A). Insert the Bolt Plate into the hole in the side of the body panel. Thread the M10 Plastic Washer down tight against the sheet metal, (Fig 7).

**Note:** The M10 Plastic Washer is designed to help hold the M10X40 Short Bolt Plate in place during Bracket installation.



(Fig 6) Passenger Side Center Mounting Location

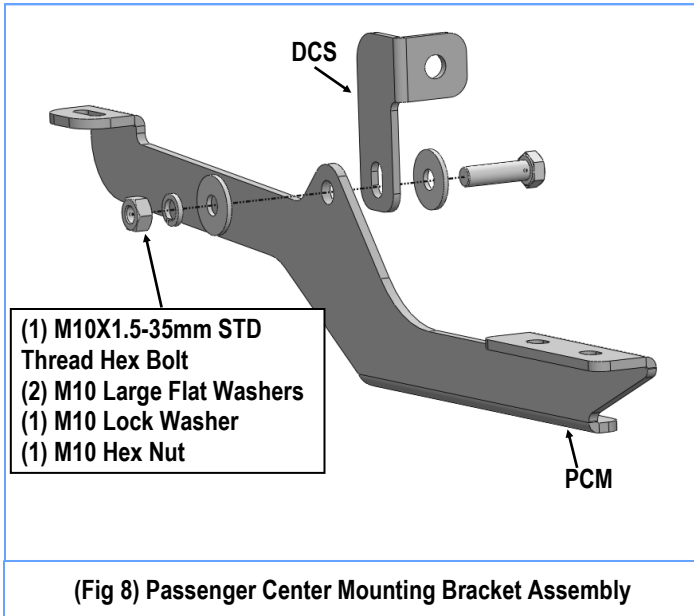
## STEP 6

Next, locate and remove the factory 6mm hex bolt attaching the heat shield to the inner frame channel, (Fig 7). **NOTE:** Use the passenger side Center Mounting Bracket to help identify the correct 6mm hex bolt to remove.

Driver side will only have a threaded hole, no heat shield.

## STEP 7

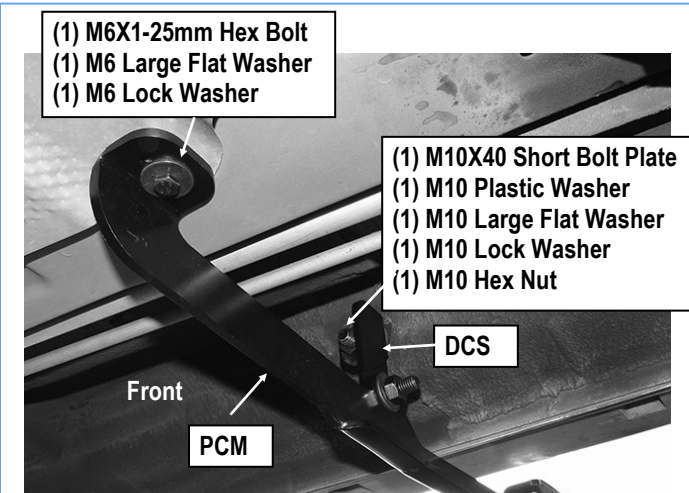
Assemble the Passenger Center Mounting Bracket (PCM) and the Passenger Center Mounting Bracket (PCM) with (1) M10X1.5-35mm STD Thread Hex Bolt, (2) M10 Large Flat Washer, (1) M10 Lock Washers and (1) M10 Hex Nuts, (Fig 8). Do not fully tighten hardware at this time.



(Fig 8) Passenger Center Mounting Bracket Assembly

## STEP 8

Select the assembled Passenger Center Mounting Bracket. Attach the bent end of the Support Bracket to the M10 Bolt Plate with (1) M10 Large Flat Washer, (1) M10 Lock Washer and (1) M10 Hex Nut, (Fig 9). Bolt the Center Mounting Bracket to the threaded hole with the included (1) M6X1-25mm Hex Bolt, (1) M6 Lock Washer and (1) M6 Large Flat Washer, (Fig 9). Do not fully tighten hardware at this time.

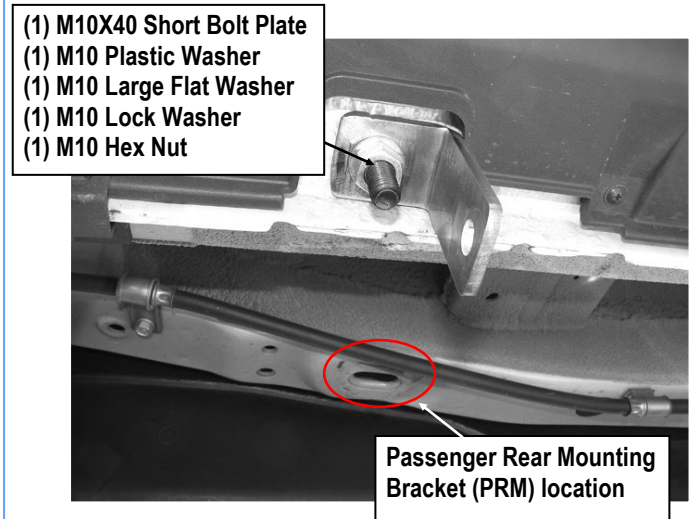


(Fig 9) Passenger Center Mounting Bracket Installation

## STEP 9

Move to the passenger side rear mounting location of the vehicle. Remove the round rubber plug on the outer body panel next to the pinch weld, (Fig 10). Repeat Step 3 to install the Support Bracket for the rear Mounting Bracket, (Fig 10).

**NOTE:** Front and rear Support Brackets are the same but the rear Support Bracket will instead face forward.



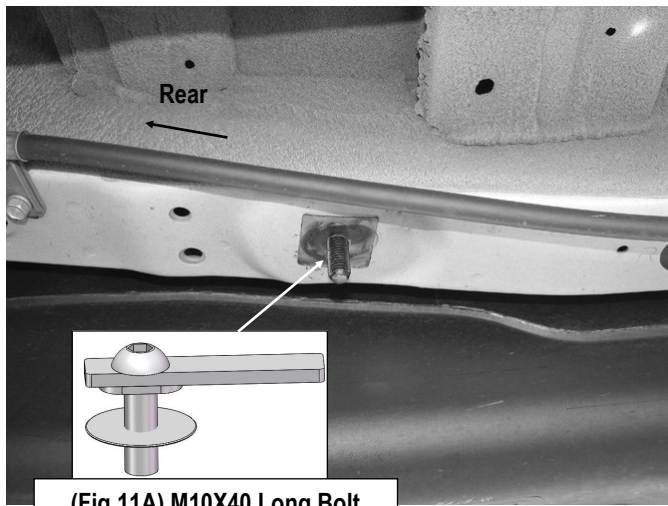
(Fig 10) Passenger Side Rear Mounting Location

## STEP 10

Remove the oval rubber plug, (if equipped), located on the bottom of the inner frame channel, (Fig 10). Thread (1) M10 Plastic Washer partially onto (1) M10X40 Long Bolt Plate, (Fig 11A). Insert the M10X40 Long Bolt Plate into the oval hole, (Fig 11B). Thread the M10 Plastic Washer down until it is tight against the frame channel.

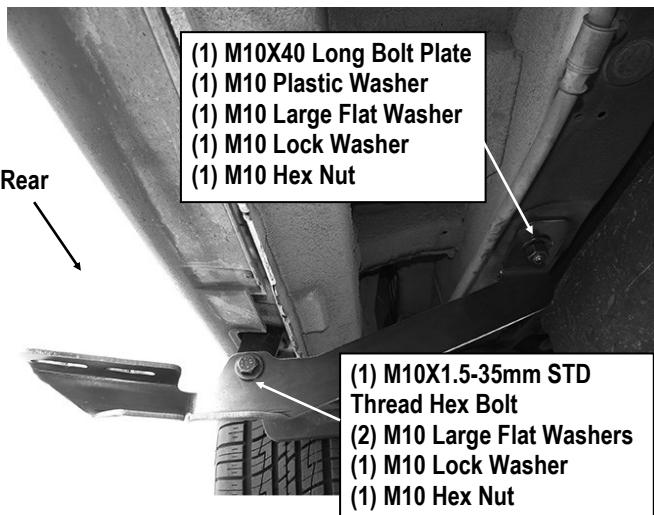
Position the passenger side rear Mounting Bracket up to the vehicle. Attach the Mounting Bracket to the M10X40 Long Bolt Plate with the included (1) M10 Large Flat Washer, (1) M10 Lock Washer and (1) M10 Hex Nut, (Fig 12).

Repeat Step 4 to bolt the Passenger Rear Mounting Bracket (PRM) to the front of the Support Bracket, (Fig 12). Do not fully tighten at this time.



(Fig 11A) M10X40 Long Bolt Plate With M10 Plastic Washer

(Fig 11B) Insert M10X40 Long Bolt Plate



(Fig 12) Passenger Rear Mounting Bracket Installation

(3) Slide the Slider (with carriage bolts) to the **Step Bar**.

(4) Repeat to install the other (2) sliders to the step bar.

(5) Attach the Step Bar (with the Sliders) onto the installed mounting brackets. Position the Sliders to the installed brackets. Secure the Step Bar to the installed Brackets by using (6) M8 Large Flat Washers and (6) M8 Nylon Lock Nuts and (3) Sliders, (Fig 14). Do not fully tighten hardware at this time.

**Note:** The Sliders are packed with the Step Bars.

Level and adjust the Step Bar and fully tighten all hardware.

Repeat **Steps 1-11** for the other side Step Bar installation. **The installation is completed!!!**

### Attention

Do periodic inspections to the installation to make sure that all hardware is secure and tight.

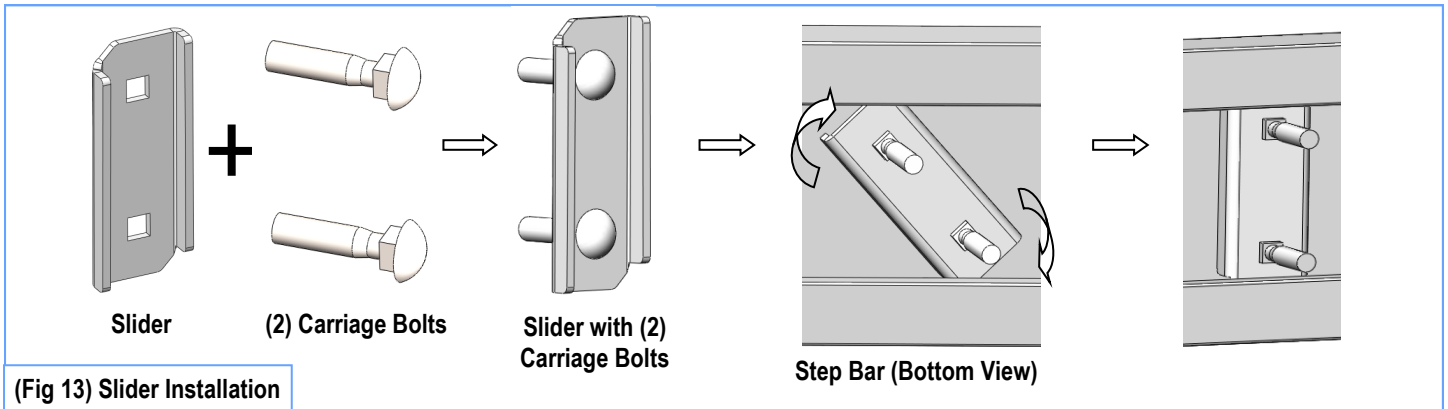
In order to protect your bars/boards, please use mild soap/non-abrasive products for cleaning only.

## STEP 11

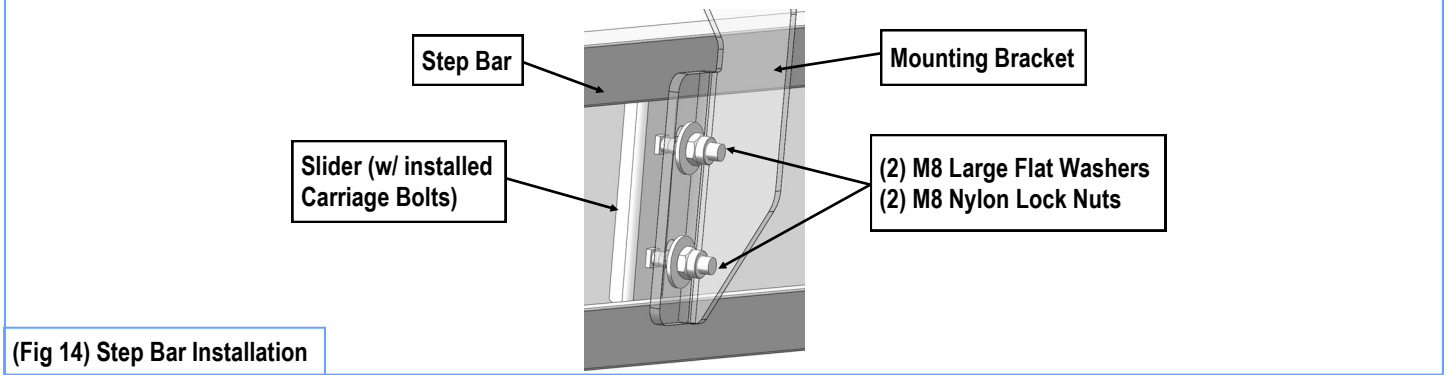
Once all (3) Passenger side mounting brackets are installed, then proceed to the Step Bar installation. (Figs 13 & 14)

(1) Select (1) Slider and (2) M8X1.25-35mm Carriage Bolts;

(2) Install (2) M8X1.25-35mm Carriage Bolts in (1) Slider.



(Fig 13) Slider Installation



(Fig 14) Step Bar Installation