

iBoard®



Scan for
Installation Video

iBoard® by APS

PART#: IB-338C&H

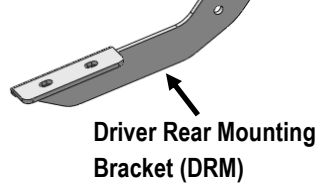
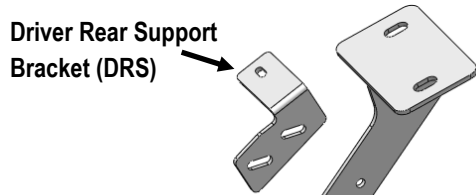
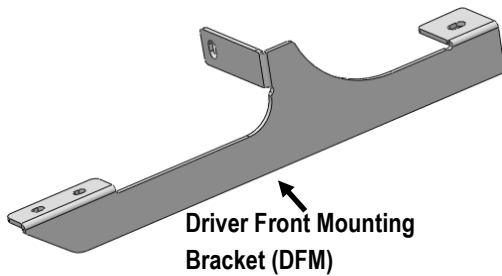
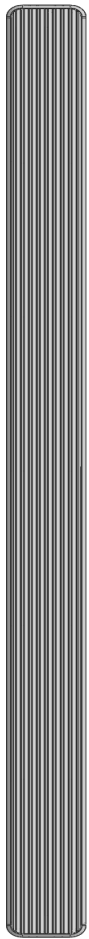
READ INSTRUCTIONS CAREFULLY BEFORE STARTING INSTALLATION. REMOVE CONTENTS FROM BOX AND VERIFY ALL PARTS ARE PRESENT. ASSISTANCE IS RECOMMENDED.

*ROCKER PANEL MOUNT
*NO DRILLING REQUIRED

Fastener Size	Tightening Torque (ft-lbs)	Required
6mm	6-7	√
8mm	16-18	√
10mm	31-32	√
12mm	56-58	X
14mm	92-94	X

PART LIST

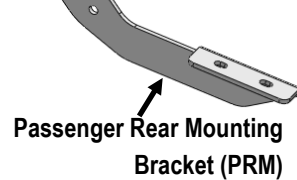
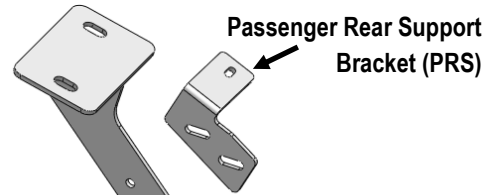
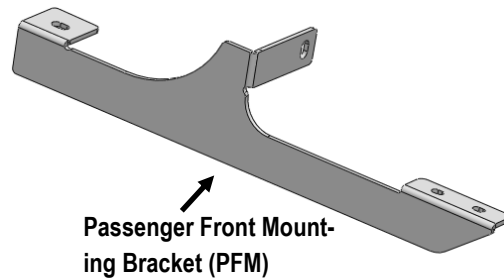
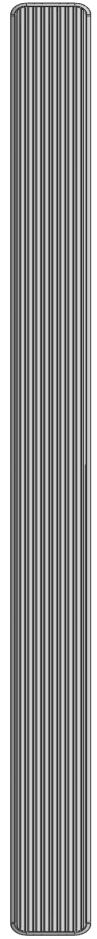
Driver Side Step Bar



Front



Passenger Side Step Bar

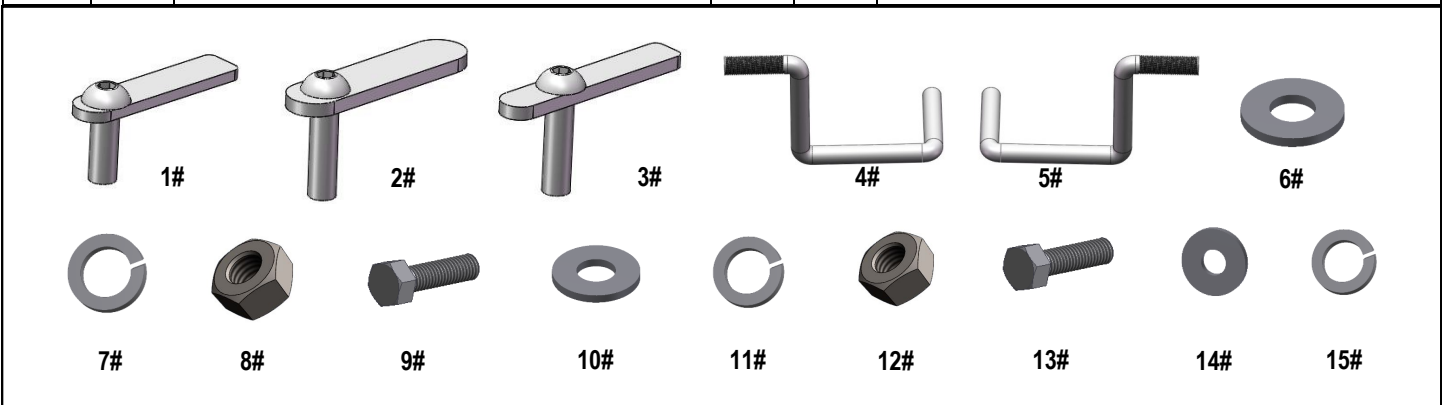


Customer Support: info@iboardauto.com



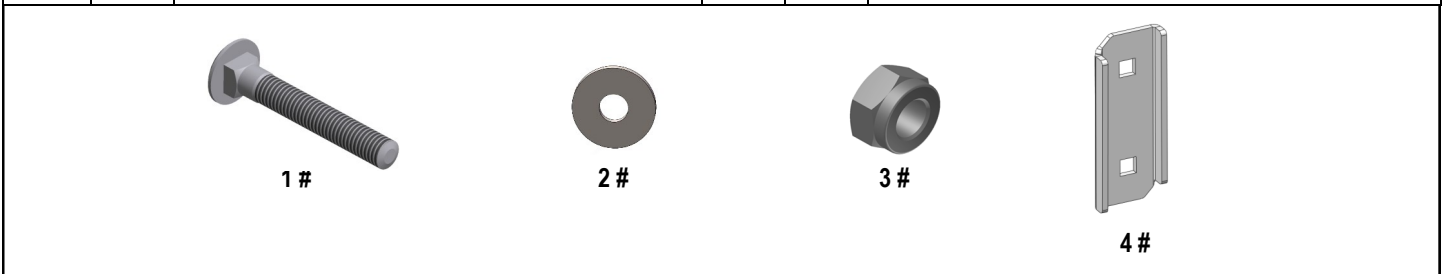
Hardware Package A (For Bracket Installation)

Item	QTY	Description	Item	QTY	Description
1#	2	M10X30 Bolt Plates	9#	4	M8X1.25-30mm Hex Bolts
2#	2	M10X40 Bolt Plates	10#	12	M8 Large Flat Washers
3#	2	M10X40 T-Bolt Plates	11#	6	M8 Lock Washers
4#	1	M8 Driver Side Rod Bolt	12#	8	M8 Hex Nuts
5#	1	M8 Passenger Side Rod Bolt	13#	2	M6X1-25mm Hex Bolts
6#	6	M10 Large Flat Washers	14#	2	M6 Large Flat Washers
7#	6	M10 Lock Washers	15#	2	M6 Lock Washers
8#	6	M10 Hex Nuts			



Hardware Package B (For Stainless Steel Step Bar Installation)

Item	QTY	Description	Item	QTY	Description
1#	8	M8X1.25-35mm Carriage Bolts	3#	8	M8 Nylon Lock Nuts
2#	8	M8 Large Flat Washers	4#	4	Sliders (Packed with Step Bars)



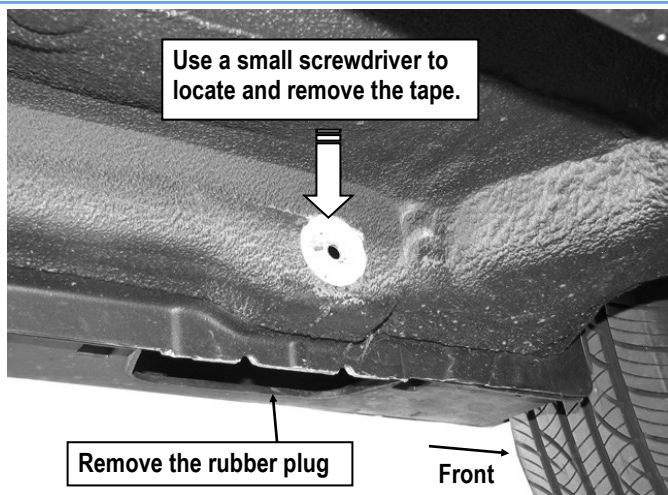


STEP 1

Start installation from the driver side front of the vehicle. Locate the round hole in the backside of the body panel, **(Fig 1)**.
NOTE: The hole will be covered by sealing tape and undercoating. Use a small screwdriver to locate and remove the tape.

STEP 2

Remove the rubber plug covering the hole in the bottom of the body panel next to the pinch weld, **(Fig 2)**. Insert the M8 Driver Side Rod Bolt into the large hole in the bottom of the body panel and out the smaller hole in the backside of the body panel identified in **Step 1**, **(Fig 3)**.



(Fig 1) Driver Side Front Mounting Location

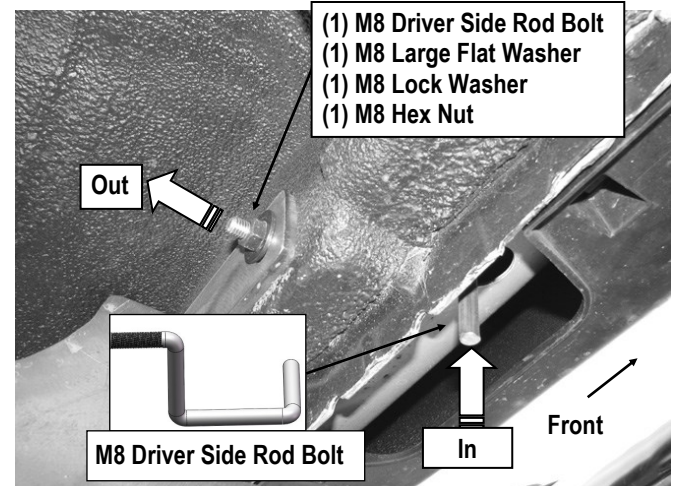


(Fig 2) Remove The Rubber Plug

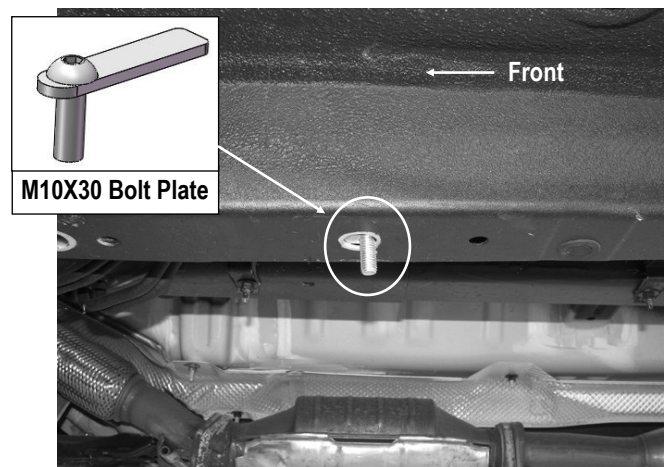
STEP 3

Next, locate the oval slot in the bottom of the inner frame channel. Insert (1) M10X30 Bolt Plate into the frame channel, **(Fig 4)**.

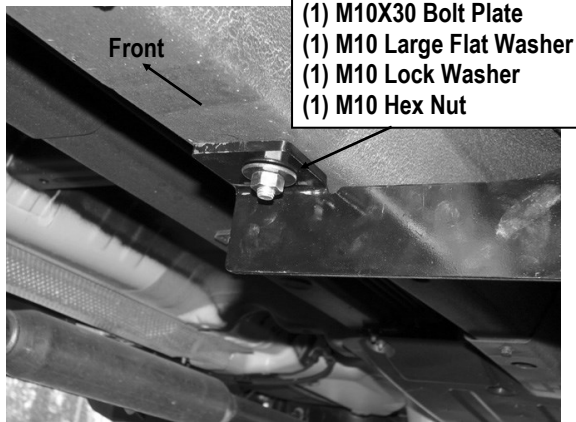
Select the Driver Front Mounting Bracket **(DFM)**. Hang the bracket from the M8 Driver Side Rod Bolt with (1) M8 Large Flat Washer, (1) M8 Lock Washer and (1) M8 Hex Nut, **(Fig 3)**. Secure the Bracket to the M10X30 Bolt Plate with the supplied (1) M10 Large Flat Washer, (1) M10 Lock Washer and (1) M10 Hex Nut, **(Fig 5)**. Do not fully tighten the hardware at this time.



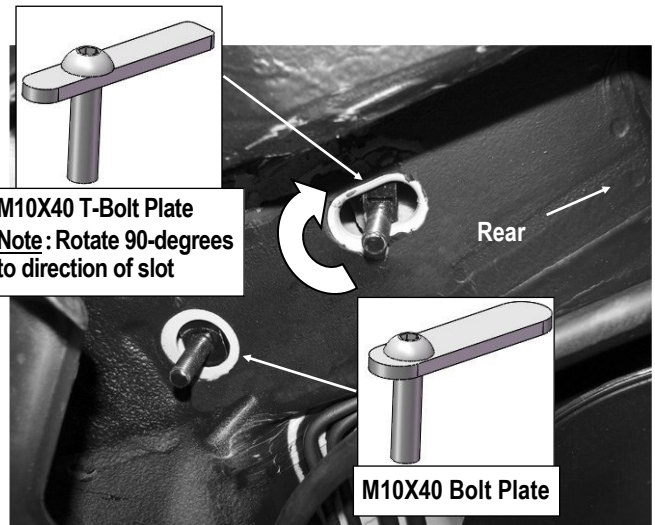
(Fig 3) Insert The M8 Driver Side Rod Bolt Into The Large Hole



(Fig 4) Insert (1) M10X30 Bolt Plate Into The Frame Channel



(Fig 5) Driver Side Front Mounting Bracket Installation

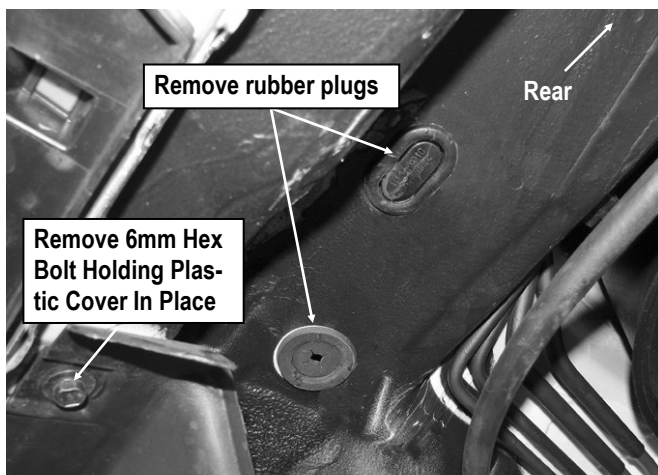


(Fig 7) Insert (1) M10X40 Bolt Plate And (1) M10X40 T-Bolt Plate

STEP 4

Move to the driver side rear of the vehicle. Remove the factory 6mm hex bolt securing the plastic cover to the floor channel, (Fig 6). Remove the rubber plugs covering the round and oval holes in the floor panel pictured in Fig 6.

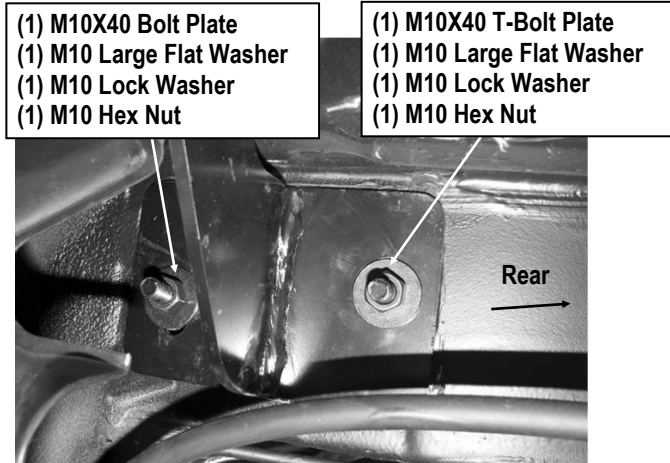
Insert (1) M10X40 Bolt Plate into the round opening. Insert (1) M10X40 T-Bolt Plate into the oval opening, (Fig 7). **IMPORTANT:** Rotate T-Bolt Plate 90-degrees to the direction of the oval opening.



(Fig 6) Driver Side Rear Mounting Location

STEP 5

Position the Driver Rear Mounting Bracket (DRM) up to the vehicle and partially attach the Bracket to the (2) M10X40 Bolt Plates inserted into the body panel. Secure using the included (2) M10 Large Flat Washers, (2) M10 Lock Washers and (2) M10 Hex Nuts, (Fig 8). Do not fully tighten the hardware at this time.



(Fig 8) Driver Side Rear Mounting Bracket Installation



STEP 6

Select the Driver Rear Support Bracket (**DRS**). Hold the Bracket up to the threaded hole in the floor channel and insert the included (1) M6X1-25mm Hex Bolt with (1) M6 Lock Washer and (1) M6 Large Flat Washer through the plastic cover, the Support Bracket and into the floor channel, (**Fig 9**). Do not tighten hardware at this time.

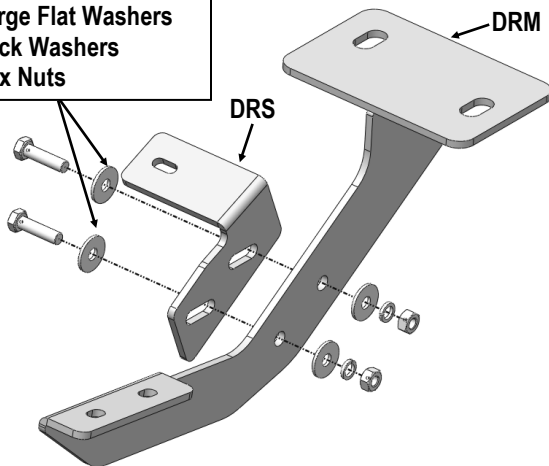
Attach the Support Bracket to the Rear Mounting Bracket with the included (2) M8X1.25-30mm Hex Bolts, (4) M8 Large Flat Washers, (2) M8 Lock Washers and (2) M8 Hex Nuts, (**Fig 10**). Do not tighten hardware at this time.

- (1) M6X1-25mm Hex Bolt
- (1) M6 Large Flat Washer
- (1) M6 Lock Washer



(Fig 9) Driver Rear Support Bracket Installation

- (2) M8X1.25-30mm Hex Bolts
- (4) M8 Large Flat Washers
- (2) M8 Lock Washers
- (2) M8 Hex Nuts



(Fig 10) Driver Side Rear Brackets Assembly

STEP 7

Once all (2) Driver side mounting brackets are installed, then proceed to the Step Bar installation. (**Figs 11 & 12**)

(1) Select (1) Slider and (2) M8X1.25-35mm Carriage Bolts;

(2) Install (2) M8X1.25-35mm Carriage Bolts in (1) Slider.

(3) Slide the Slider (with carriage bolts) to the **Step Bar**.

(4) Repeat to install the other (1) slider to the step bar.

(5) Attach the Step Bar (with the Sliders) onto the installed mounting brackets. Position the Sliders to the installed brackets. Secure the Step Bar to the installed Brackets by using (4) M8 Large Flat Washers and (4) M8 Nylon Lock Nuts and (2) Sliders, (**Fig 12**). Do not fully tighten hardware at this time.

Note: The Sliders are packed with the Step Bars.

Level and adjust the Step Bar and fully tighten all hardware.

Repeat **Steps 1-7** for the other side Step Bar installation. **The installation is completed!!!**

Attention

Do periodic inspections to the installation to make sure that all hardware is secure and tight.

In order to protect your bars/boards, please use mild soap/non-abrasive products for cleaning only.

