

iBoard®

iBoard® by APS

PART#: IB-120A-B

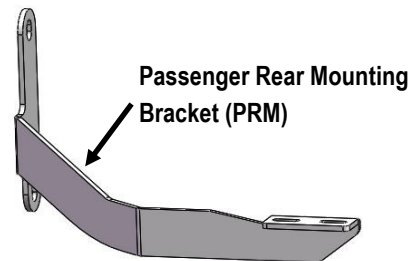
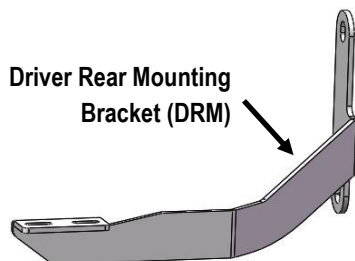
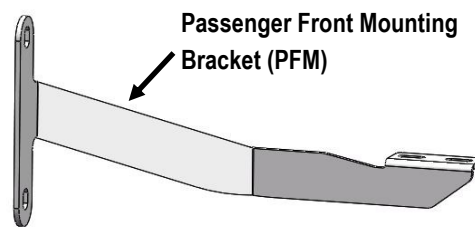
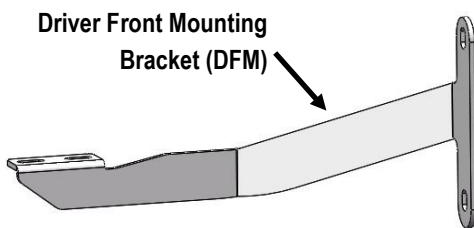
READ INSTRUCTIONS CAREFULLY BEFORE STARTING INSTALLATION. REMOVE CONTENTS FROM BOX AND VERIFY ALL PARTS ARE PRESENT. ASSISTANCE IS RECOMMENDED.

*BODY FRAME MOUNT
*NO DRILLING REQUIRED

Fastener Size	Tightening Torque (ft-lbs)
6mm	6-7
8mm	16-18
10mm	31-32
12mm	56-58
14mm	92-94

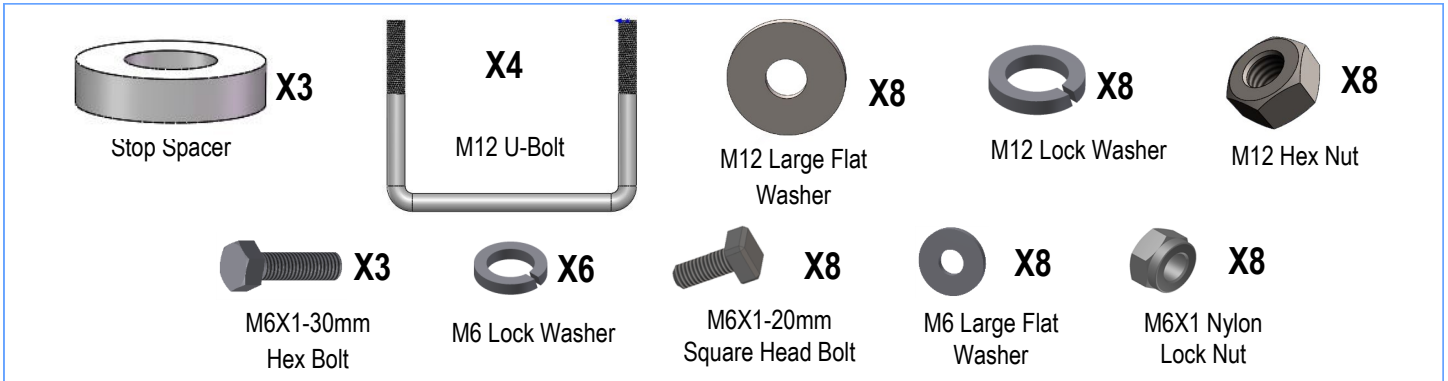
PART LIST

Front



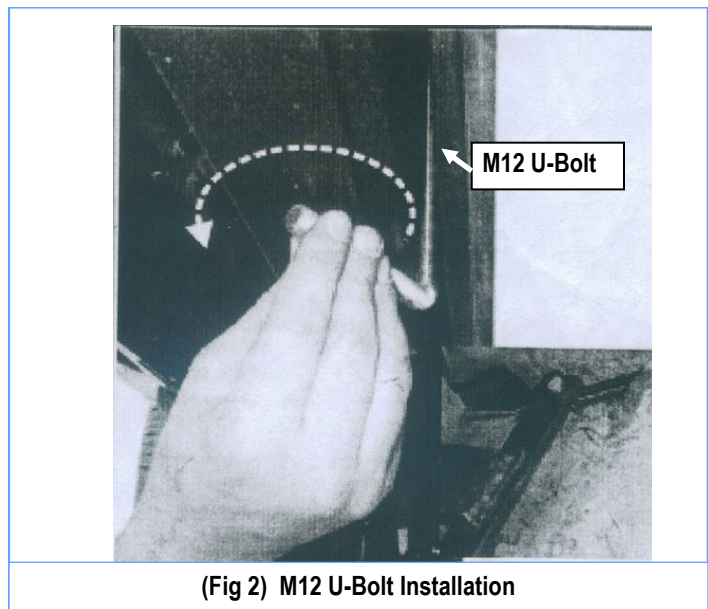
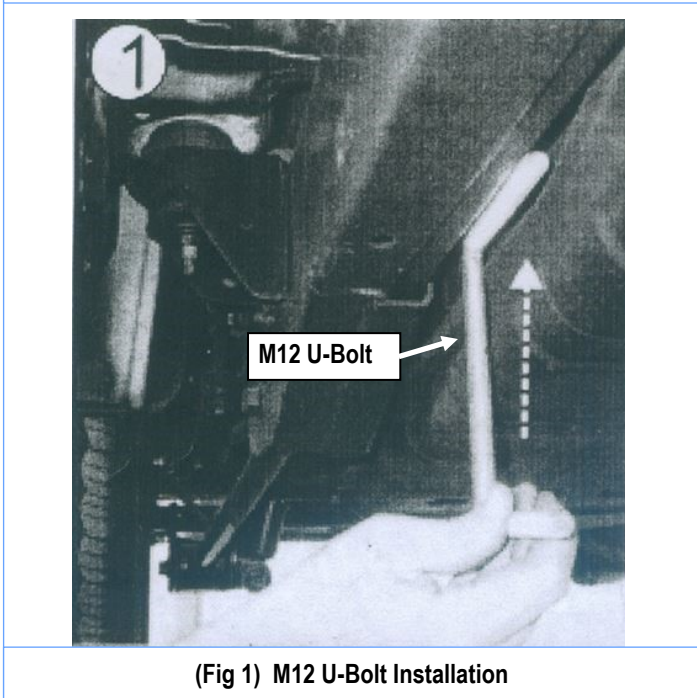
Customer Support: info@iboardauto.com

iBoard®



STEP 1

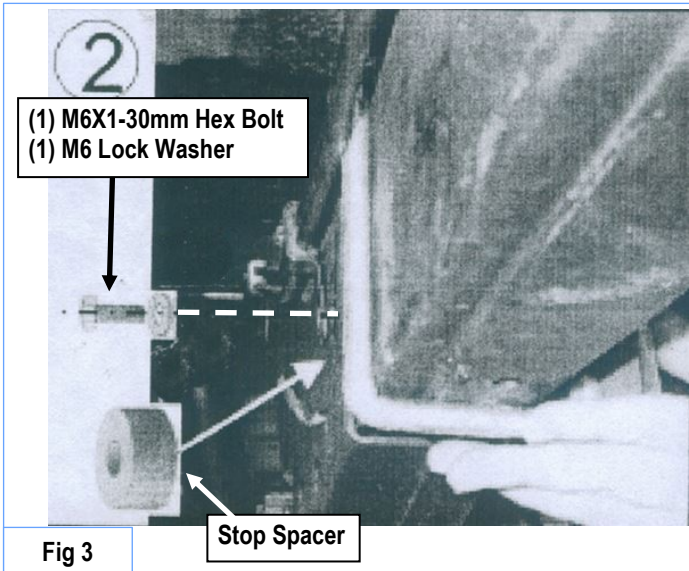
Start installation from the driver side front of the vehicle. Remove the driver side front and rear body mount nuts. Insert (1) M12 U-Bolt to back plate with as shown, (Figs 1 & 2).



STEP 2

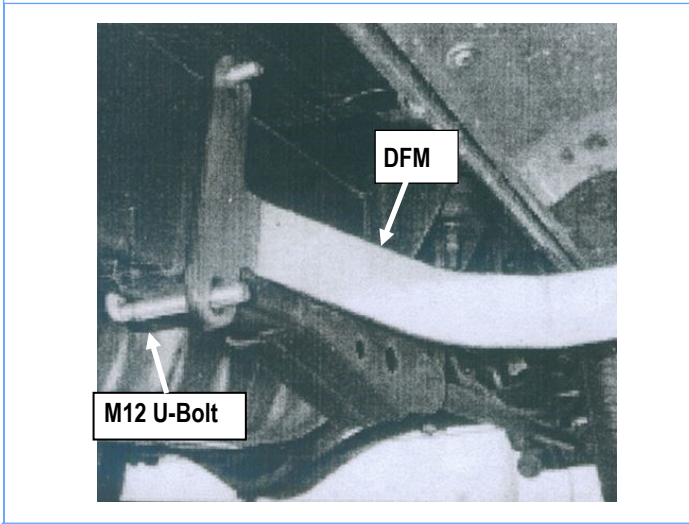
Then, attach (1) Stop Spacer, (1) M6X1-30mm Hex Bolt and (1) M6 Lock Washer to the factory hole as shown, (Fig 3).

iBoard®

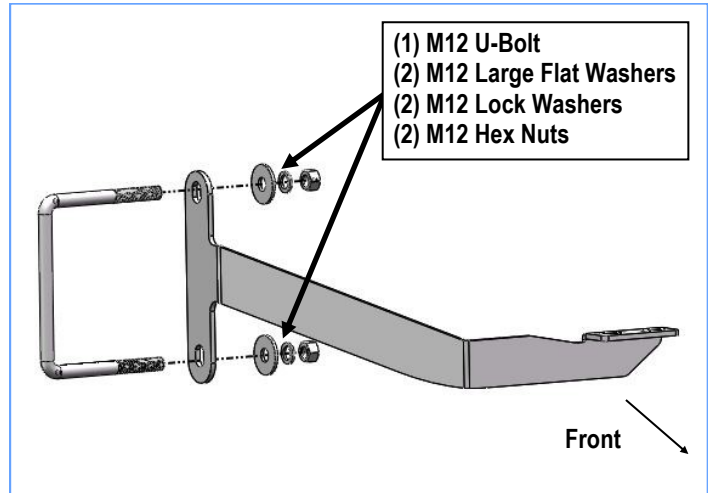


STEP 3

Attach the Driver Front Mounting Bracket (DFM) to M12 U-Bolt with (2) M12 Large Flat Washers, (2) M12 Lock Washers and (2) M12 Hex Nuts, (Figs 4 & 5). Do not fully tighten hardware at this time.



(Fig 4) Driver Front Mounting Bracket Installation



(Fig 5) Driver Front Mounting Bracket Installation

STEP 4

Move to driver side rear mounting location. Repeat **Step 1-3** for Driver Rear Mounting Bracket (DRM) installation. Do not fully tighten hardware at this time.

Note: In (4) Mounting Brackets, only **Driver Rear Mounting Bracket** do not use **Stop Spacer** and **M6X1-30mm Hex Bolt**.

STEP 5

Select a Running Board. Slip (2) M6X1-20mm Square Head Bolts into each bottom channel (Fig 6). Carefully position the Running Board onto the (2) Mounting Brackets.

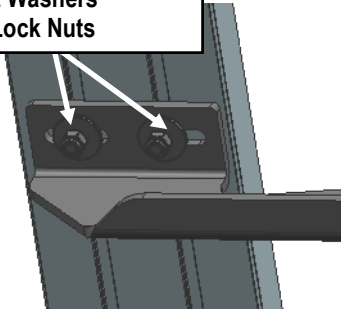
IMPORTANT: Do not slide the Running Board on the Brackets or the bottom surface of the board will be damaged. Attach the Running Board to each Mounting Bracket with (2) M6x1-20mm Square Head Bolts, (2) M6 Large Flat Washers and (2) M6 X1 Nylon Lock Nuts (Fig 7). Do not fully tighten at this time.

iBoard®



(Fig 6) Slip M6X1-20mm Square Head Bolts Into The Bottom Channels

- (2) M6X1-20mm Square Head Bolts
- (2) M6 Large Flat Washers
- (2) M6X1 Nylon Lock Nuts



(Fig 7) Running Board Installed Onto the Mounting Bracket

STEP 6

Level and adjust the Running Board and fully tighten all hardware.

STEP 7

Repeat **Steps 1-7** for other side Running Board installation. The installation is completed (**Fig 8**).



(Fig 8) Installation Completed

Attention

Do periodic inspections to the installation to make sure that all hardware is secure and tight.
In order to protect your bars/boards, please use only mild soap/non-abrasive products for cleaning.