

iBoard®



Scan for
Installation Video

iBoard® by APS

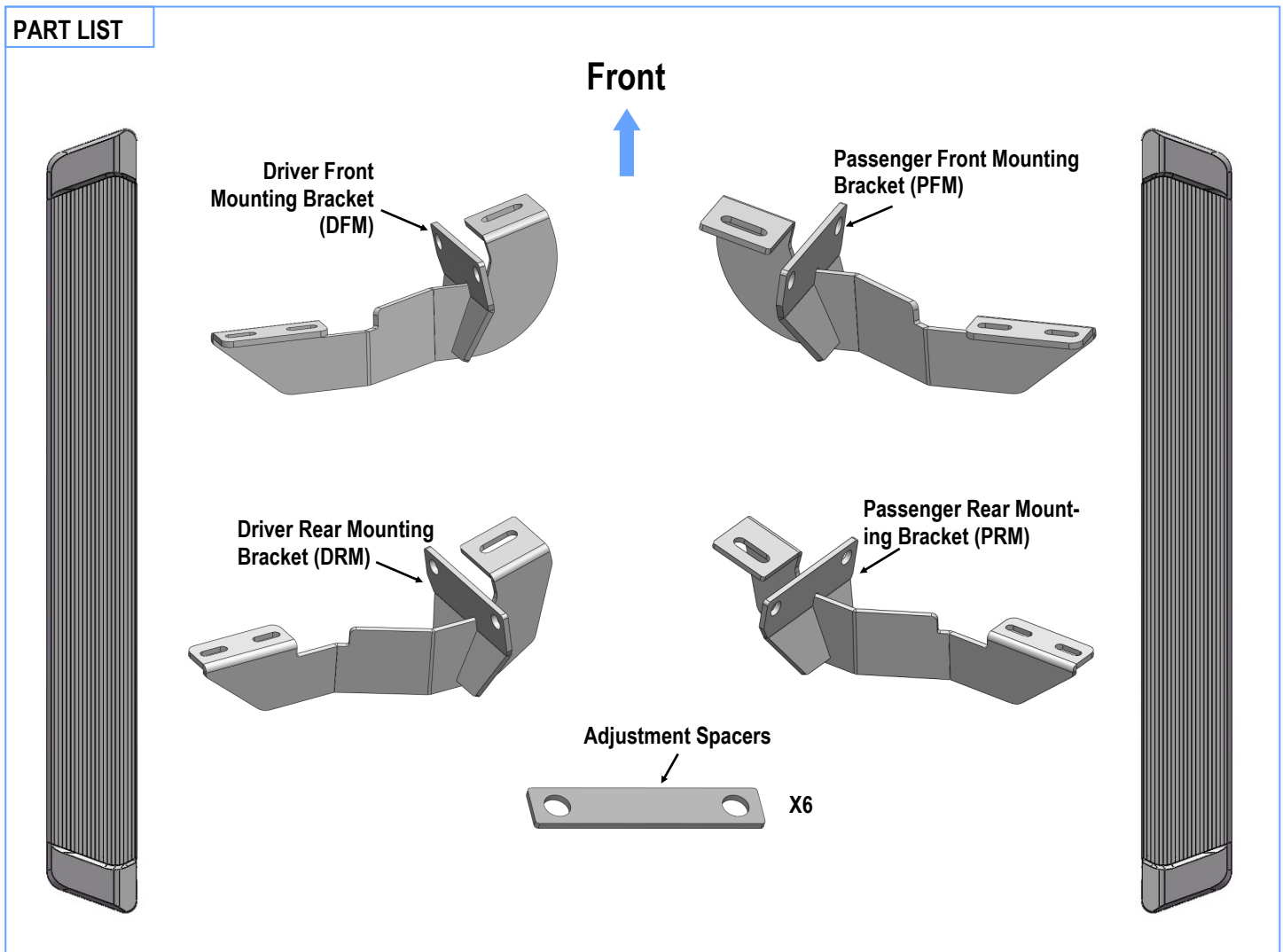
PART#: IB-R219

READ INSTRUCTIONS CAREFULLY BEFORE STARTING INSTALLATION. REMOVE CONTENTS FROM BOX AND VERIFY ALL PARTS ARE PRESENT. ASSISTANCE IS RECOMMENDED.

*ROCKER PANEL MOUNT
*NO DRILLING REQUIRED

Fastener Size	Tightening Torque (ft-lbs)	Required
6mm	6-7	√
8mm	16-18	√
10mm	31-32	√
12mm	56-58	X
14mm	92-94	X

PART LIST



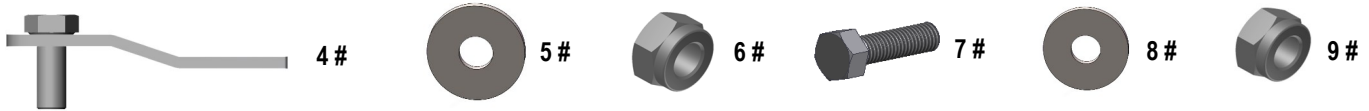
Customer Support: info@iboardauto.com



Scan for
Installation Video

Hardware Package A (For Bracket Installation)

Item	QTY	Description	Item	QTY	Description
1#	4	M10 Bolt Plates	4#	8	M8X1.25-35mm Hex Bolts
2#	4	M10 Large Flat Washers	5#	16	M8 Large Flat Washers
3#	4	M10 Nylon Lock Nuts	6#	8	M8 Nylon Lock Nuts



Hardware Package B (For Step Bar Installation)

Item	QTY	Description	Item	QTY	Description
1#	8	M6X1-20mm Square Head Bolts	3#	8	M6 Nylon Lock Nuts
2#	8	M6 Large Flat Washers			





STEP 1

Start installation front the passenger side of the vehicle. Insert (1) M10 Bolt Plate into the rectangular hole and out the round hole in the bottom of the side panel, (Fig 1).



(Fig 1) Passenger Front Mounting Location

STEP 2

Select the Passenger Front Mounting Bracket. Hold a Passenger Mounting Bracket in place on the outside of the pinch weld and over the Bolt Plate. Attach the Mounting Bracket to the M10 Bolt Plate with the included (1) M10 Large Flat Washer and (1) M10 Nylon Lock Nut, (Fig 3). Leave loose at this time.

NOTE: Make sure that the mounting tab on the Bracket is on the outside of the pinch weld.

Line up the (2) holes in the Bracket with the factory holes in the pinch weld. Attach the Bracket to the pinch weld using the included (2) M8X1.25-35mm Hex Bolts, (4) M8 Large Flat Washers and (2) M8 Nylon Lock Nuts, (Fig 3). Do not fully tighten at this time.

IMPORTANT: The Passenger Front Mounting Bracket is different from the Passenger Rear Mounting Bracket, (Fig 2). Use the instructions to correctly identify the Brackets.

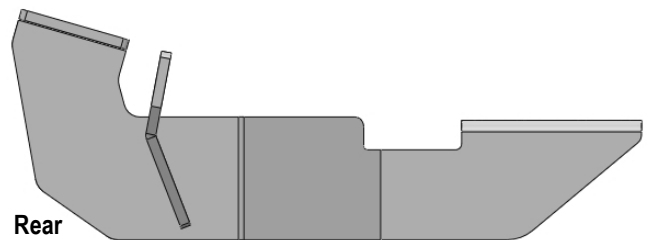
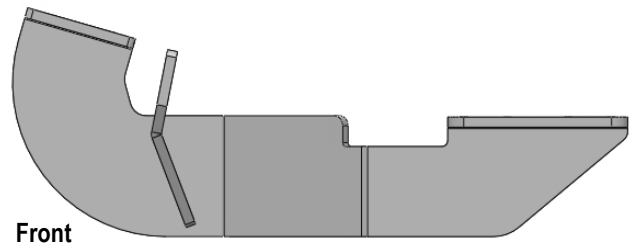
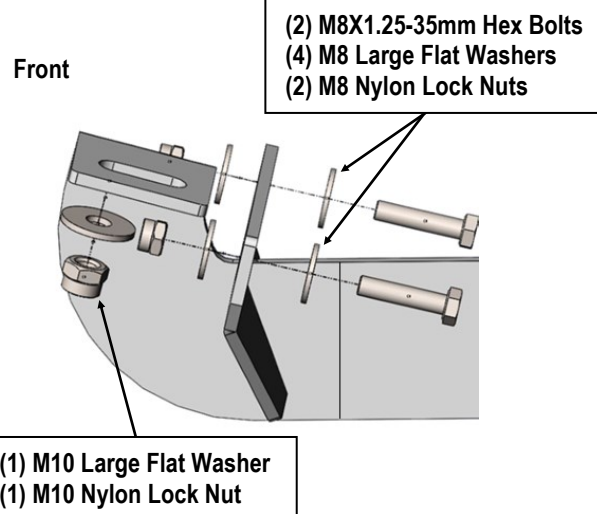


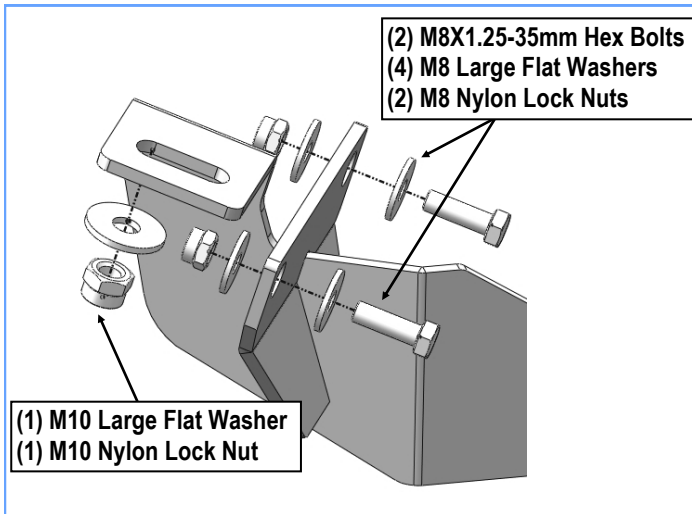
Fig 2



(Fig 3) Passenger Front Mounting Bracket Installation

STEP 3

Move to the Passenger Side Rear Mounting location. Repeat **Steps 1—2** to install the Passenger Rear Mounting Bracket, (Fig 4). Do not fully tighten at this time.



(Fig 4) Passenger Rear Mounting Bracket Installation

STEP 4

NOTE: Depending on the vehicle, model and year, the front of the running board may be close to or make contact with front factory flares. If necessary, insert 1 to 3 of the Adjustment Spacers between the Bracket and the outside of the pinch weld as needed to adjust the fitment of the Side step bar, (Fig 5).

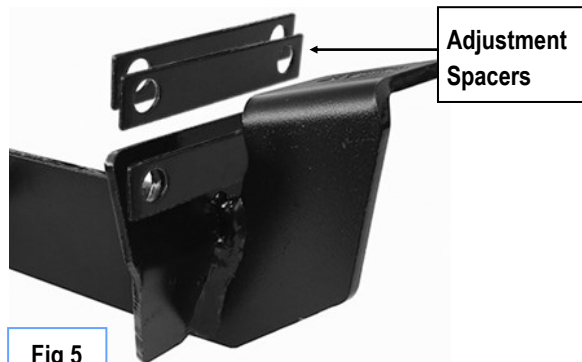


Fig 5

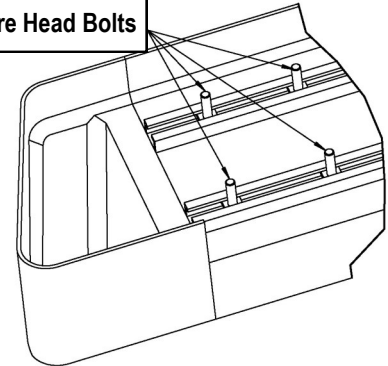
STEP 5

Once all (2) mounting brackets are installed. Select a Running Board. Slip (2) M6X1-20mm Square Head Bolts into each bottom channel (Fig 6). Carefully position the Running Board onto the (2) Mounting Brackets. Attach the Running Board to

Mounting Bracket with (2) M6X1-20mm Square Head Bolts, (2) M6 Large Flat Washers and (2) M6X1 Nylon Lock Nuts (Fig 7). Do not fully tighten at this time.

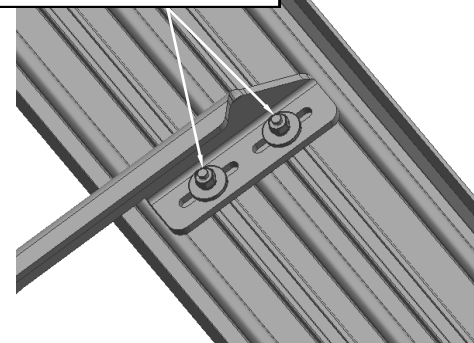
IMPORTANT: Do not slide the Running Board on the Brackets or the bottom surface of the board will be damaged.

M6X1-20mm Square Head Bolts



(Fig 6) Slip M6X1-20mm Square Head Bolts Into The Bottom Channels

(2) M6X1-20mm Square Head Bolts
(2) M6 Large Flat Washers
(2) M6 Nylon Lock Nuts



(Fig 7) Running Board Installed Onto Mounting Bracket

STEP 6

Level and adjust the Running Board and fully tighten all hardware.

Important: Please follow the recommended Tightening Torques shown in the table on page 1. Don't over tighten, or the nuts/bolts will be damaged.



STEP 7

Repeat **Steps 1-6** for the other side Running Board installation.
The installation is completed .

Attention

Do periodic inspections to the installation to make sure that all hardware is secure and tight.

In order to protect your bars/boards, please use mild soap/non-abrasive products for cleaning only.