



## iBoard® by APS

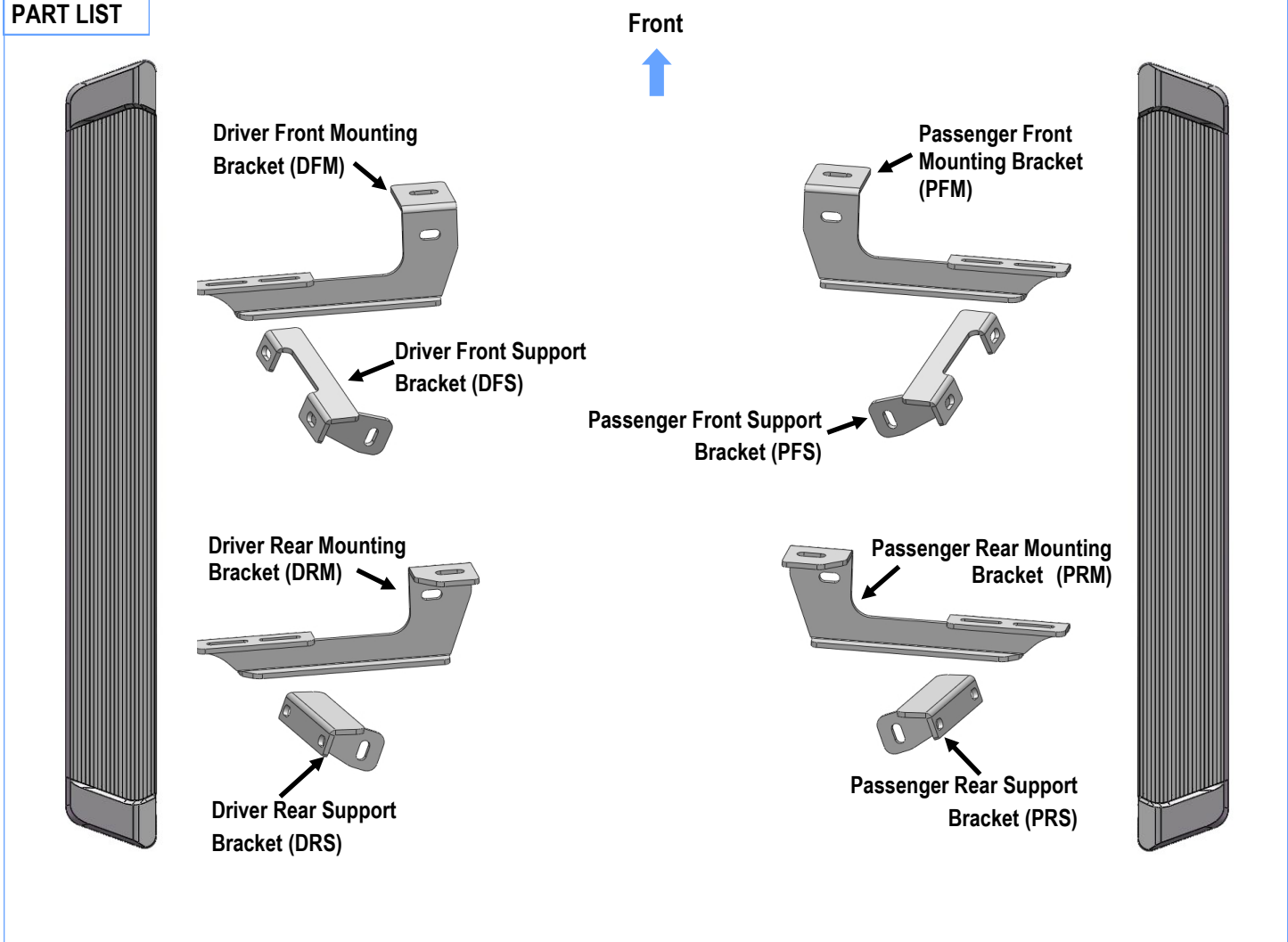
PART#: IB-R116

**READ INSTRUCTIONS CAREFULLY BEFORE STARTING INSTALLATION. REMOVE CONTENTS FROM BOX AND VERIFY ALL PARTS ARE PRESENT. ASSISTANCE IS RECOMMENDED.**

**\*ROCKER PANEL MOUNT  
\*NO DRILLING REQUIRED**

Fastener Size	Tightening Torque (ft-lbs)	Required
6mm	6-7	√
8mm	16-18	√
10mm	31-32	X
12mm	56-58	X
14mm	92-94	X

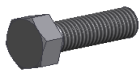
### PART LIST





### Hardware Package A (For Bracket Installation)

Item	QTY	Description	Item	QTY	Description
1#	8	M8X1.25-35mm Hex Bolts	5#	8	M6X1-25mm Hex Bolts
2#	12	M8 Large Flat Washers	6#	16	M6 Large Flat Washers
3#	4	M8 Lock Washers	7#	8	M6X1 Nylon Lock Nuts
4#	4	M8X1.25 Nylon Lock Nuts			



1#



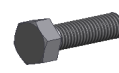
2#



3#



4#



5#



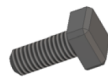
6#



7#

### Hardware Package B (For Step Bar Installation)

Item	QTY	Description	Item	QTY	Description
1#	8	M6X1-20mm Square Head Bolts	3#	8	M6X1 Nylon Lock Nuts
2#	8	M6 Large Flat Washers			



1#



2#

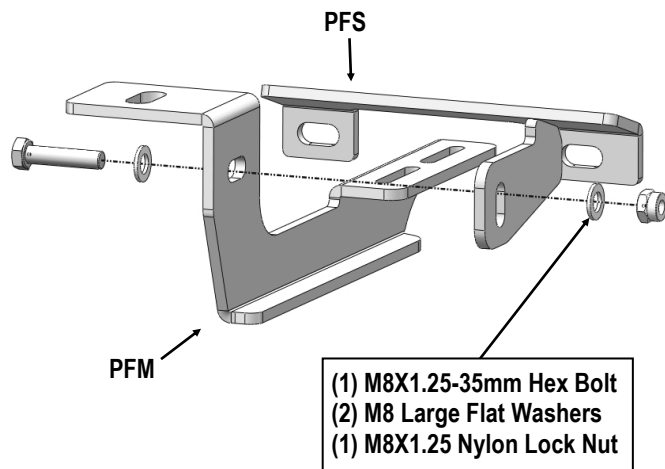


3#



## STEP 1

Start installation from the passenger side front of the vehicle. Assemble the Passenger Front Mounting Bracket (**PFM**) and Passenger Front Support Bracket (**PFS**) as shown, (**Fig 1**). Do not fully tighten hardware at this time.

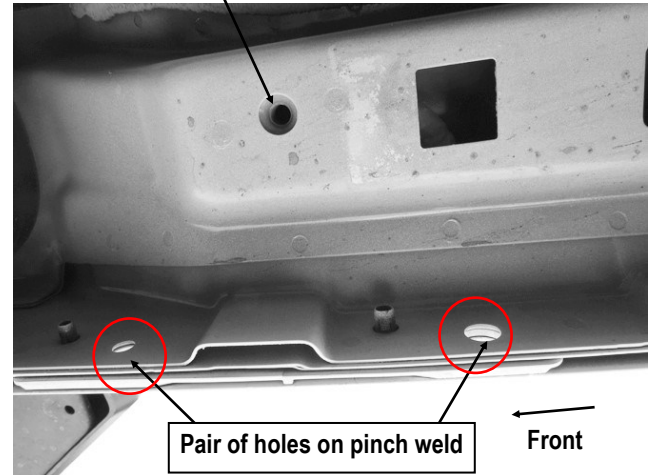


(Fig 1) Passenger Front Mounting Bracket Assembly

## STEP 2

Locate the Passenger Side Front Mounting position on vehicle, there are (2) holes on the pinch weld and (1) threaded hole on the bottom floor, (**Fig 2**).

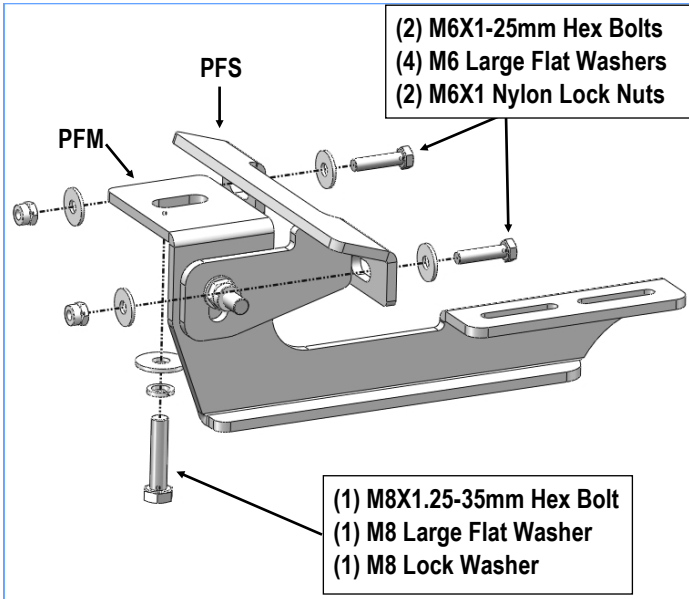
Factory Threaded Hole



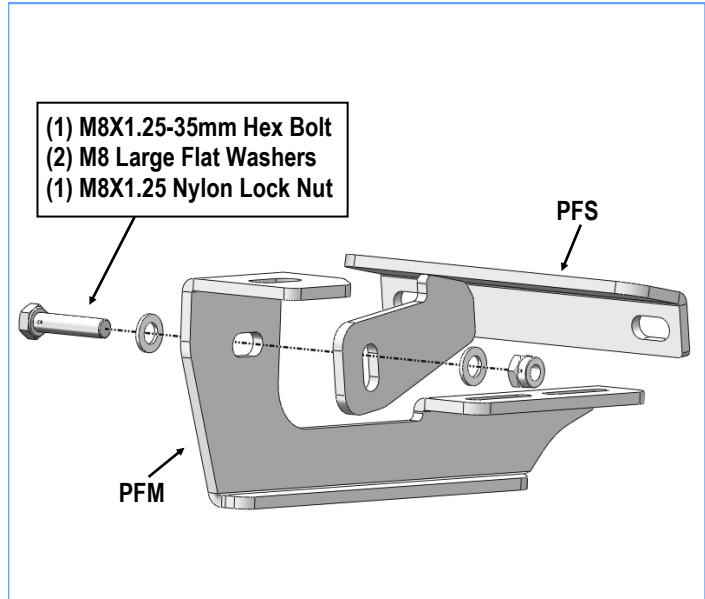
(Fig 2) Passenger Side Front Mounting Location

## STEP 3

Attach the Assembled Passenger Front Mounting Bracket on the mounting position. Install the Passenger Front Mounting Bracket (**PFM**) on the factory threaded hole with (1) M8X1.25-35mm Hex Bolt, (1) M8 Large Flat Washer and (1) M8 Lock Washer. Install Passenger Front Support Bracket (**PFS**) on the pinch weld with (2) M6X1-25mm Hex Bolts, (4) M6 Large Flat Washers, and (2) M6X1 Nylon Lock Nuts, (**Fig 3**). Do not fully tighten hardware at this time.



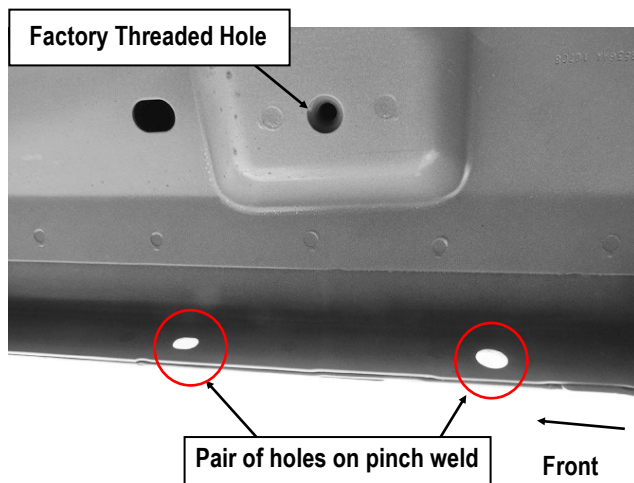
(Fig 3) Passenger Front Mounting Bracket Installation



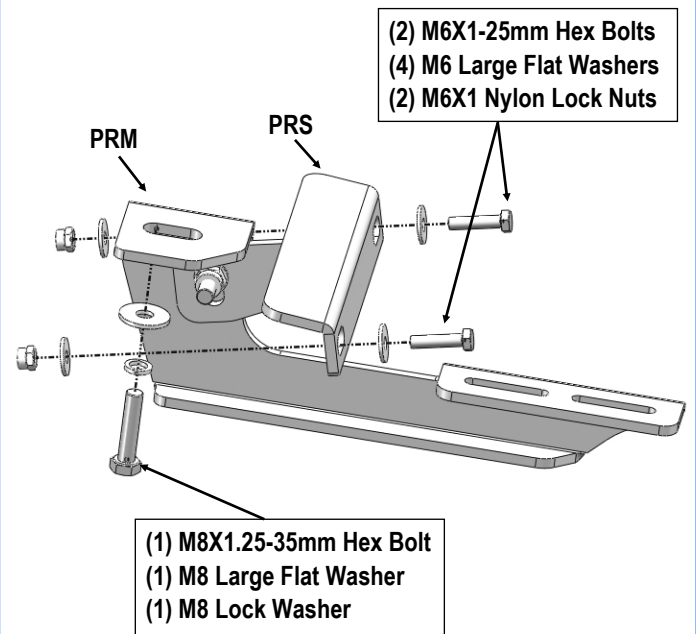
(Fig 5) Passenger Rear Mounting Brackets Assembly

## STEP 4

Move to the rear of the vehicle, (Fig 4). Repeat Steps 1-3 to assemble and install the Passenger Rear Mounting Bracket (PRM) and Passenger Rear Support Bracket (PRS), (Figs 5 & 6). Do not fully tighten hardware at this time.



(Fig 4) Passenger Side Rear Mounting Location



(Fig 6) Passenger Rear Mounting Bracket Installation

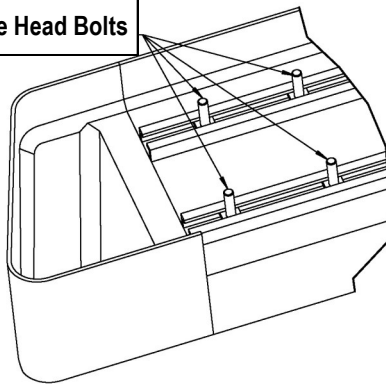


## STEP 5

Once all (2) mounting brackets are installed. Select a Running Board. Slip (2) M6X1-20mm Square Head Bolts into each bottom channel (**Fig 7**). Carefully position the Running Board onto the (2) Mounting Brackets. Attach the Running Board to each Mounting Bracket with (2) M6X1-20mm Square Head Bolts, (2) M6 Large Flat Washers and (2) M6X1 Nylon Lock Nuts (**Fig 8**). Do not fully tighten at this time.

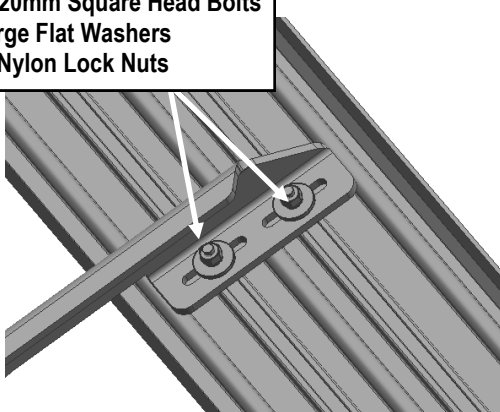
**IMPORTANT:** Do not slide the Running Board on the Brackets or the bottom surface of the board will be damaged.

M6X1-20mm Square Head Bolts



(Fig 7) Slip M6X1-20mm Square Head Bolts Into The Bottom Channels

(2) M6X1-20mm Square Head Bolts  
(2) M6 Large Flat Washers  
(2) M6X1 Nylon Lock Nuts



(Fig 8) Running Board Installed Onto Mounting Bracket

## STEP 6

Level and adjust the Running Board and fully tighten all hardware.

**Important:** Please follow the recommended Tightening Torques shown in the table on page 1. Don't over tighten, or the nuts/bolts will be damaged.

## STEP 7

Repeat **Steps 1-6** for the other side Running Board installation. The installation is completed.

### Attention

Do periodic inspections to the installation to make sure that all hardware is secure and tight.

In order to protect your bars/boards, please use mild soap/non-abrasive products for cleaning only.