

iBoard®



Scan for
Installation Video

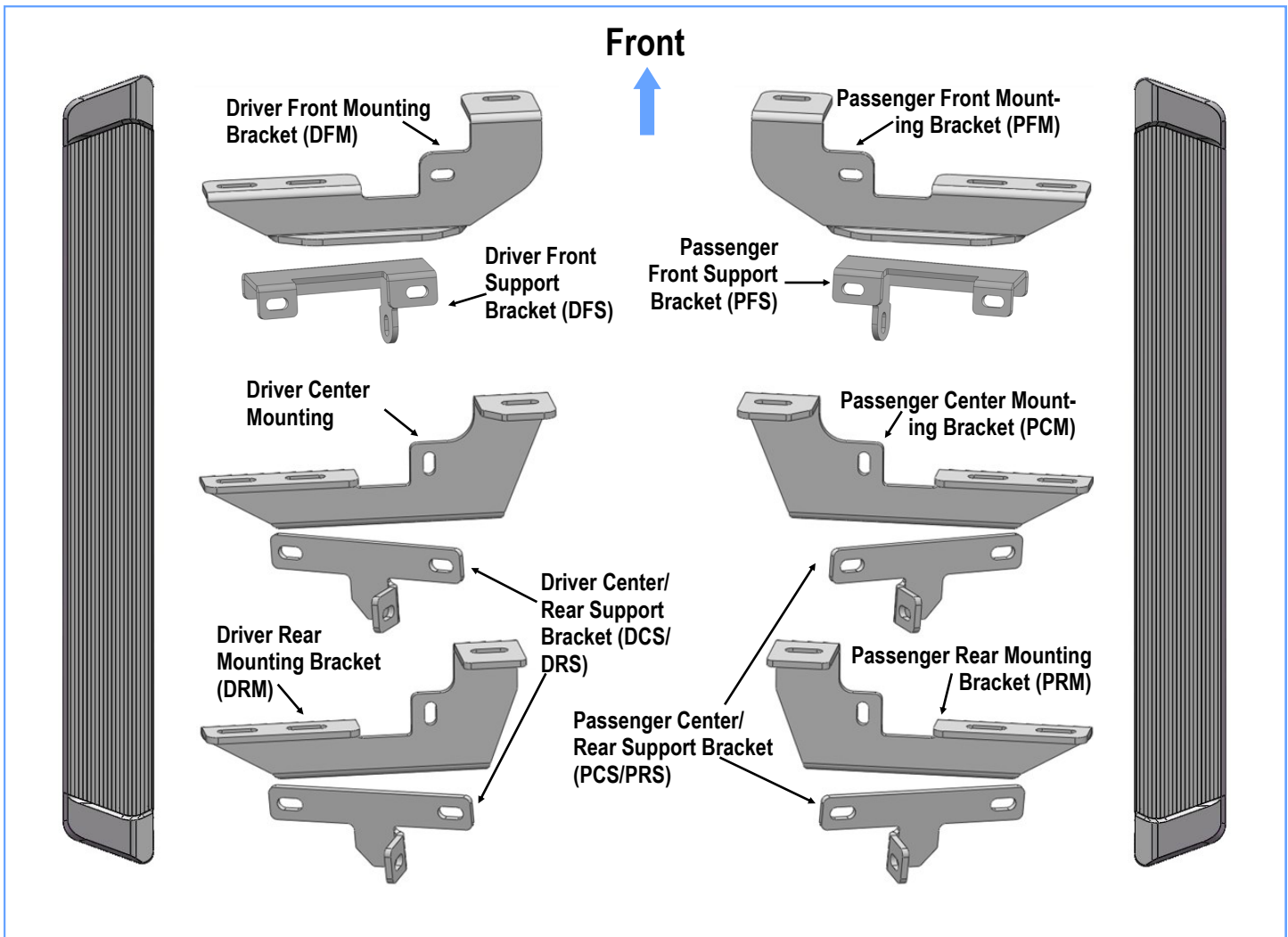
iBoard® by APS

PART#: IB-R111

READ INSTRUCTIONS CAREFULLY BEFORE STARTING INSTALLATION. REMOVE CONTENTS FROM BOX AND VERIFY ALL PARTS ARE PRESENT. ASSISTANCE IS RECOMMENDED.

*ROCKER PANEL MOUNT
*NO DRILLING REQUIRED

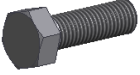
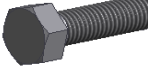



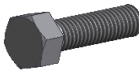


Fastener Size	Tightening Torque (ft-lbs)	Required
6mm	6-7	√
8mm	16-18	√
10mm	31-32	X
12mm	56-58	X
14mm	92-94	X



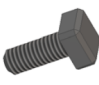


Customer Support: info@iboardauto.com



Hardware Package A (For Bracket Installation)					
Item	QTY	Description	Item	QTY	Description
1#	6	M8X1.25-35mm Hex Bolts	5#	6	M8 Hex Nuts
2#	6	M8X1.25-25mm Hex Bolts	6#	12	M6X1-25mm Hex Bolts
3#	18	M8 Large Flat Washers	7#	24	M6 Large Flat Washers
4#	12	M8 Lock Washers	8#	12	M6 Nylon Lock Nuts

							
1 #	2 #	3 #	4 #	5 #	6 #	7 #	8 #

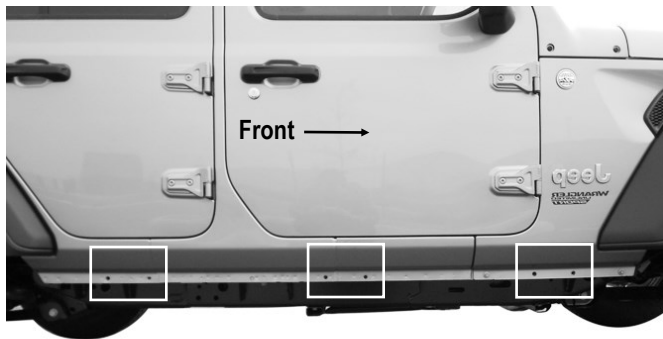
Hardware Package B (For Step Bar Installation)					
Item	QTY	Description	Item	QTY	Description
1#	12	M6X1-20mm Square Head Bolts	3#	12	M6 Nylon Lock Nuts
2#	12	M6 Large Flat Washers			

		
1#	2#	3#



STEP 1

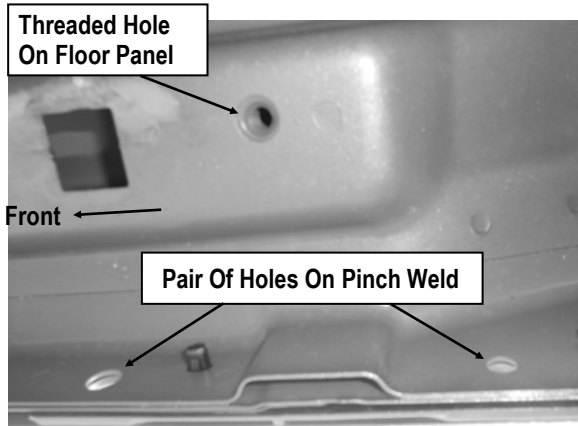
Locate the (3) pairs of factory mounting holes along the pinch weld, (Fig 1) on the passenger side of the vehicle.



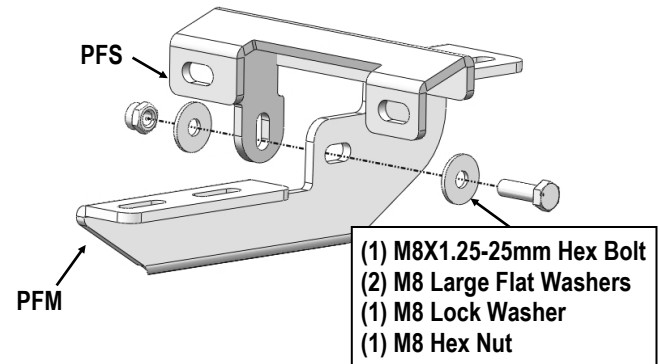
(Fig 1) Passenger Side Front Mounting Location

STEP 2

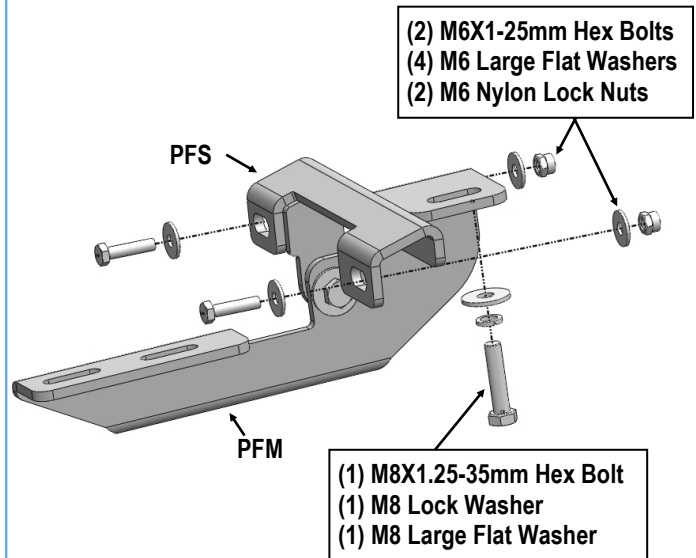
Start installation from the passenger side front of the vehicle (Fig 2). Assemble Passenger Front Mounting Bracket and Passenger Front Support Bracket with (1) M8X1.25-25mm Hex Bolt, (2) M8 Large Flat Washers, (1) M8 Lock Washer and (1) M8 Hex Nut (Fig 3). And then install the Passenger Front Brackets to the rocker panel as shown (Figs 4-5). Don't fully tighten the hardware at this time.



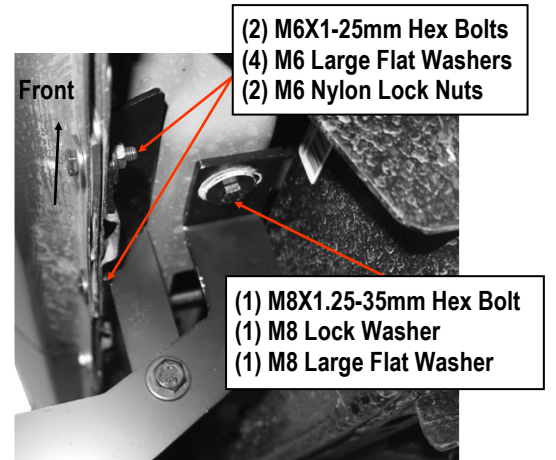
(Fig 2) Passenger Side Front Mounting Location



(Fig 3) Passenger Front Brackets Assembly



(Fig 4) Passenger Side Front Brackets Installation

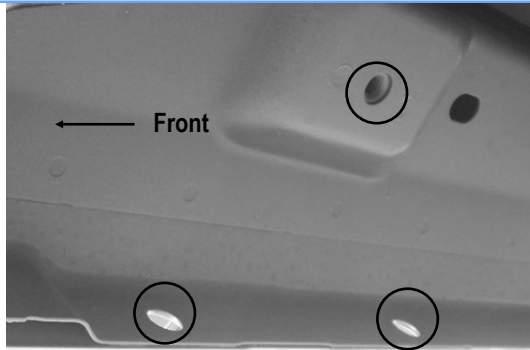


(Fig 5) Passenger Side Front Brackets Installed (Example)

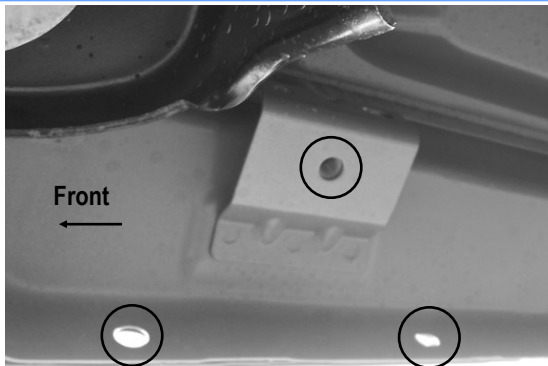


STEP 3

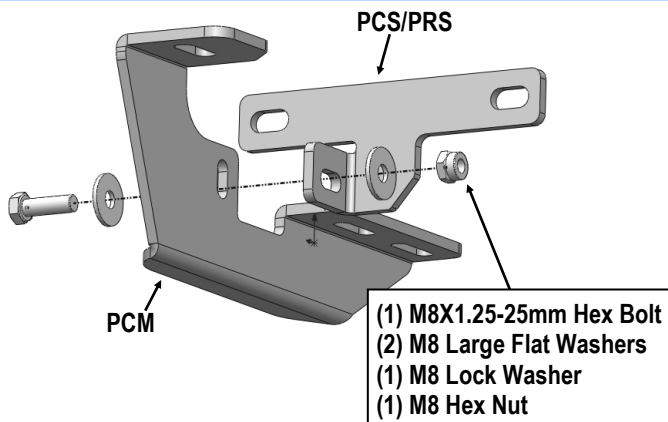
Move to Passenger Side Center & Rear Mounting Locations, (Figs 6 & 7). Repeat **Step 2** to install Passenger Center and Rear Brackets (Figs 8-11). Don't fully tighten the hardware at this time.



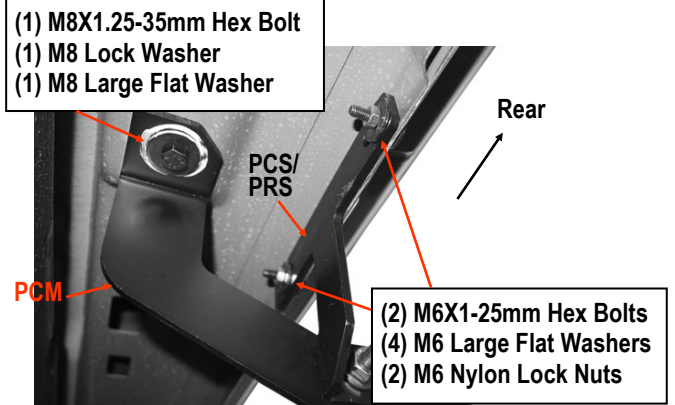
(Fig 6) Passenger Side Center Mounting Location



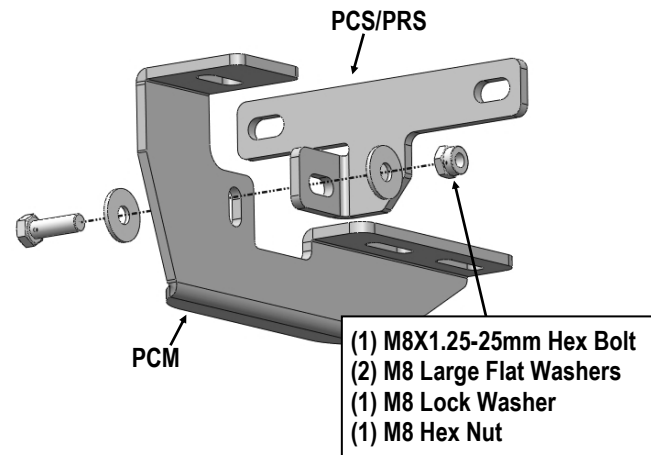
(Fig 7) Passenger Side Rear Mounting Location



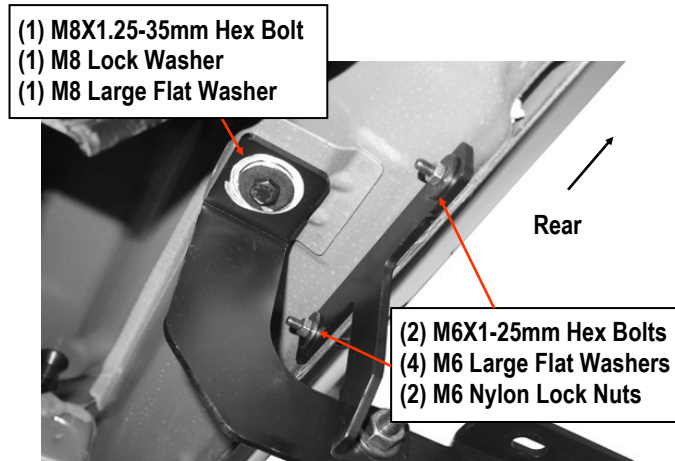
(Fig 8) Passenger Side Center Brackets Assembly



(Fig 9) Passenger Side Center Brackets Installed



(Fig 10) Passenger Side Rear Brackets Assembly



(Fig 11) Passenger Side Rear Brackets Installed

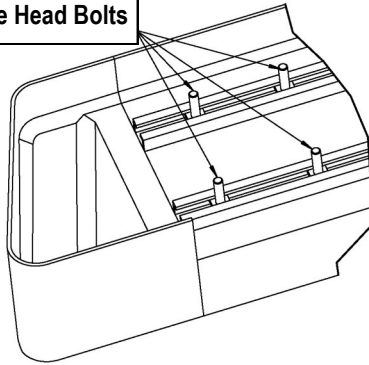


STEP 4

Once all (3) mounting brackets are installed. Select a Running Board. Slip (3) M6X1-20mm Square Head Bolts into each bottom channel (**Fig 12**). Carefully position the Running Board onto the (3) Mounting Brackets. Attach the Running Board to each Mounting Bracket with (2) M6X1-20mm Square Head Bolts, (2) M6 Large Flat Washers and (2) M6 Nylon Lock Nuts (**Fig 13**). Do not fully tighten at this time.

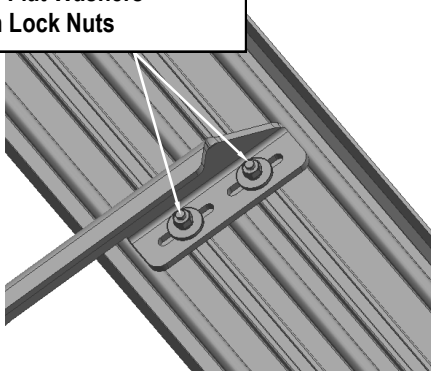
IMPORTANT: Do not slide the Running Board on the Brackets or the bottom surface of the board will be damaged.

M6X1-20mm Square Head Bolts



(Fig 12) Slip M6X1-20mm Square Head Bolts Into The Bottom Channels

(2) M6X1-20mm Square Head Bolts
(2) M6 Large Flat Washers
(2) M6 Nylon Lock Nuts



(Fig 13) Running Board Installed Onto Mounting Bracket

STEP 5

Level and adjust the Running Board and fully tighten all hardware.

Important: Please follow the recommended Tightening Torques shown in the table on page 1. Don't over tighten, or the nuts/bolts will be damaged.

STEP 6

Repeat **Steps 1-5** for the other side Running Board installation. The installation is completed .

Attention

Do periodic inspections to the installation to make sure that all hardware is secure and tight.

In order to protect your bars/boards, please use mild soap/non-abrasive products for cleaning only.