

# iBoard®



Scan for  
Installation Video

## iBoard® by APS

PART#: IB-P192C&J

READ INSTRUCTIONS CAREFULLY BEFORE STARTING INSTALLATION. REMOVE CONTENTS FROM BOX AND VERIFY ALL PARTS ARE PRESENT. ASSISTANCE IS RECOMMENDED.

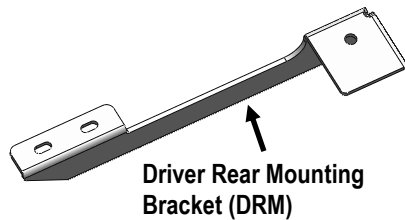
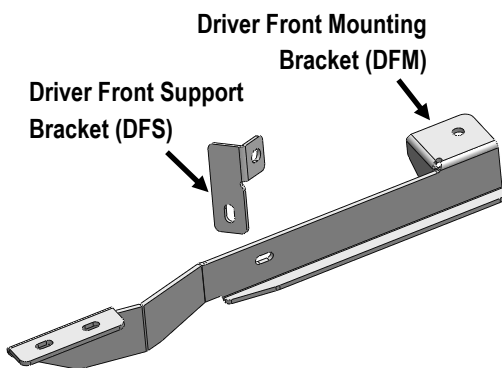
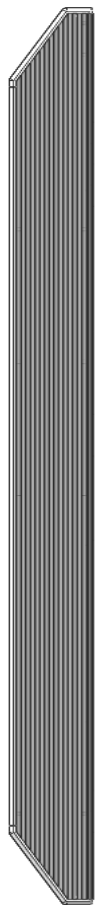
\*ROCKER PANEL MOUNT

\*DRILLING IS REQUIRED/ CUTTING IS REQUIRED

| Fastener Size | Tightening Torque (ft-lbs) | Required |
|---------------|----------------------------|----------|
| 6mm           | 6-7                        | X        |
| 8mm           | 16-18                      | √        |
| 10mm          | 31-32                      | √        |
| 12mm          | 56-58                      | X        |
| 14mm          | 92-94                      | X        |

### PART LIST

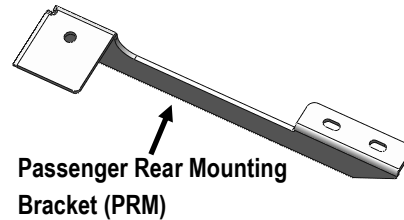
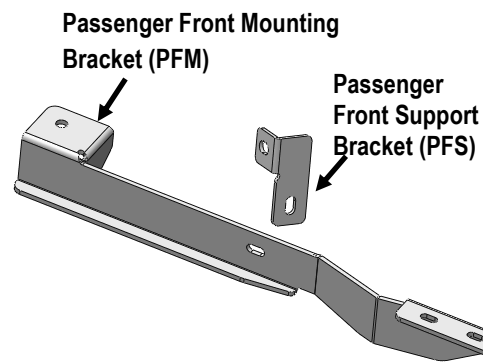
#### Driver Side Step Bar



Front



#### Passenger Side Step Bar

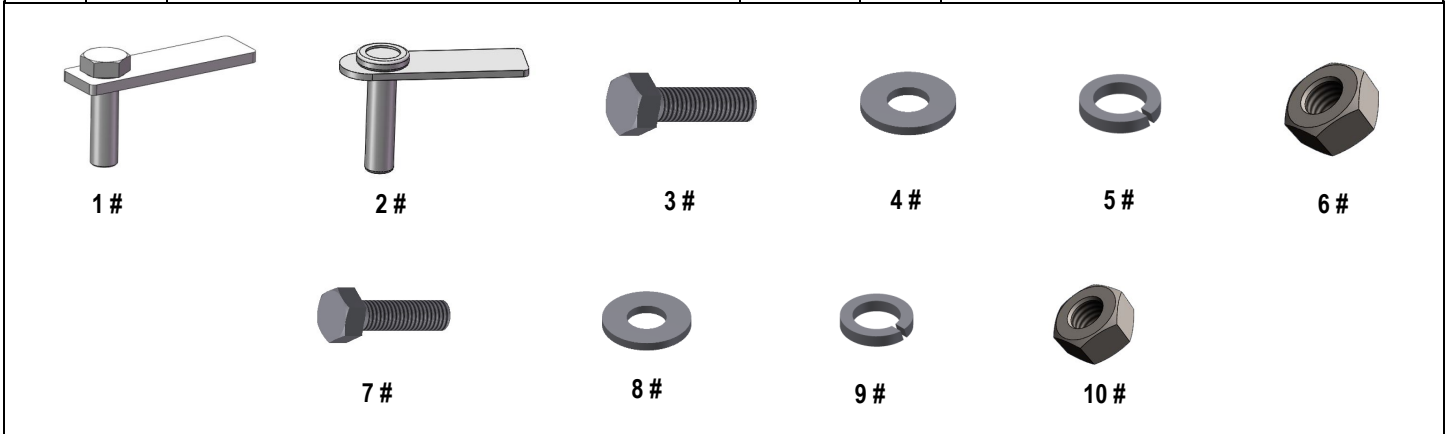


Customer Support: [info@iboardauto.com](mailto:info@iboardauto.com)



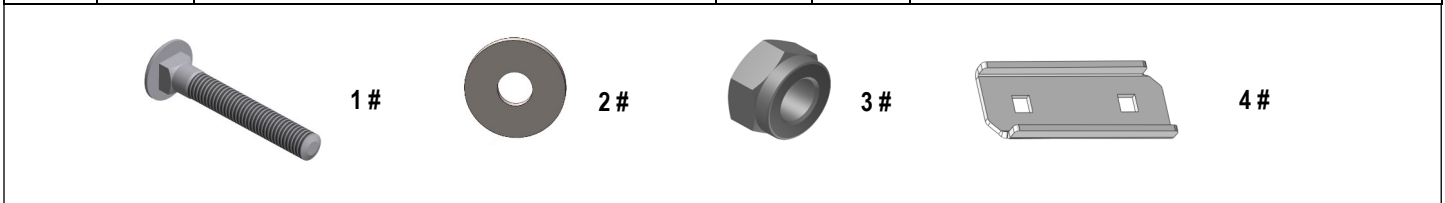
### Hardware Package A (For Bracket Installation)

| Item | QTY | Description              | Item | QTY | Description            |
|------|-----|--------------------------|------|-----|------------------------|
| 1#   | 2   | M10X35 Long Bolt Plates  | 6#   | 6   | M10 Hex Nuts           |
| 2#   | 2   | M10X35 Short Bolt Plates | 7#   | 2   | M8X1.25-35mm Hex Bolts |
| 3#   | 2   | M10X1.5-35mm Hex Bolts   | 8#   | 4   | M8 Large Flat Washers  |
| 4#   | 8   | M10 Large Flat Washers   | 9#   | 2   | M8 Lock Washers        |
| 5#   | 6   | M10 Lock Washers         | 10#  | 2   | M8X1.25 Hex Nuts       |



### Hardware Package B (For Step Bar Installation)

| Item | QTY | Description                 | Item | QTY | Description                             |
|------|-----|-----------------------------|------|-----|---|
| 1#   | 12  | M8X1.25-35mm Carriage Bolts | 3#   | 12  | M8 Nylon Lock Nuts                      |
| 2#   | 12  | M8 Large Flat Washers       | 4#   | 6   | Sliders (Packed with Mounting Brackets) |

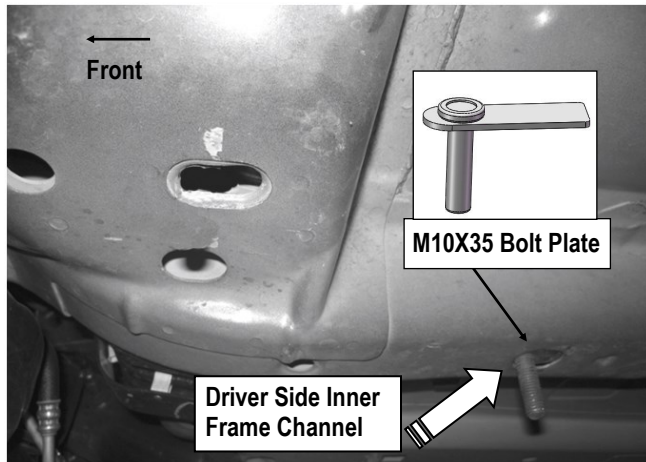




## STEP 1

Start installation from the driver side front of the vehicle. Locate (1) factory hole.

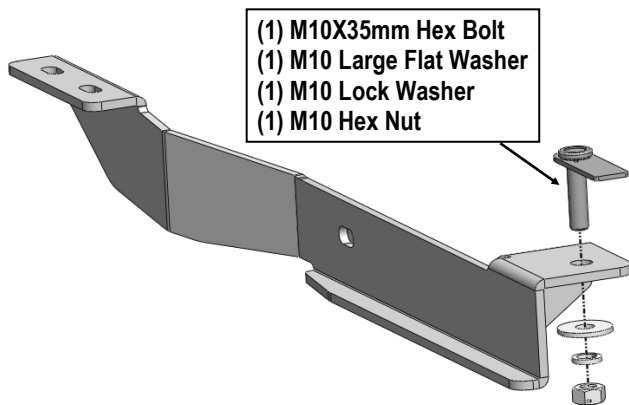
In the bottom of the left front floor panel, insert (1) M10X35 Bolt Plate into the oval hole in the bottom of the inner frame channel, (Fig 1).



(Fig 1) Driver Side Front Mounting Location

## STEP 2

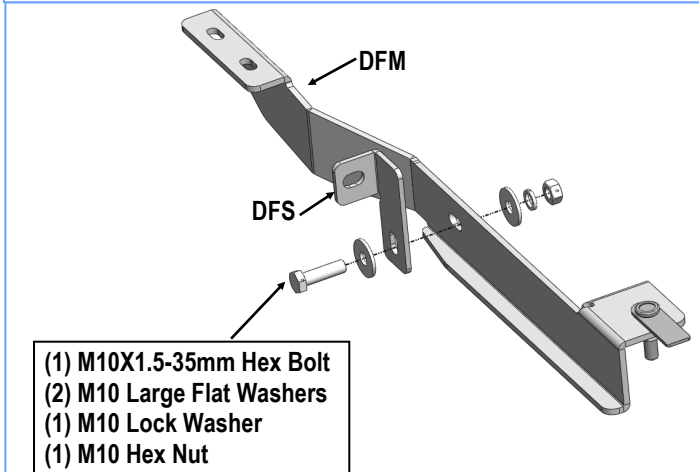
Select the Driver Front Mounting Bracket (DFM), attach it to the installed M10X35 Bolt Plate with (1) M10 Large Flat Washer, (1) M10 Lock Washer and (1) M10 Hex Nut, (Fig 2). Do not fully tighten hardware at this time.



(Fig 2) Driver Front Mounting Bracket Installation

## STEP 3

Next, select the Driver Front Support Bracket (DFS), (Fig 3). Attach the Support Bracket to the front side of the Driver Front Bar Bracket with (1) M10X1.5-35mm Hex Bolt, (2) M10 Large Flat Washers, (1) M10 Lock Washer and (1) M10 Hex Nut, (Fig 3). Do not fully tighten hardware at this time.

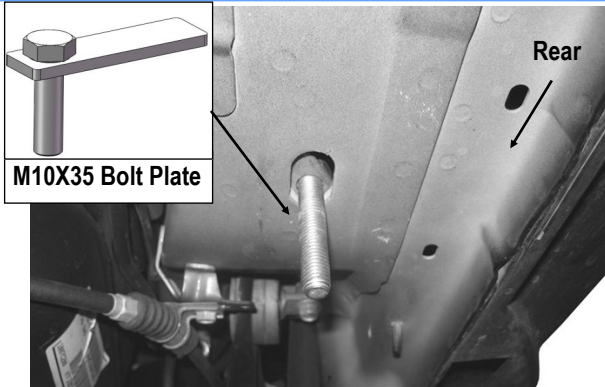


(Fig 3) Driver Front Support Bracket Assembly

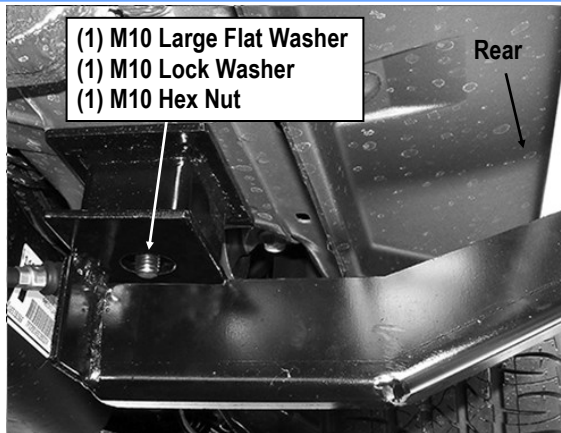
## STEP 4

Move to driver side rear mounting location. Locate the large oval slot in the floor panel. Insert (1) M10x35 Bolt Plate into the slot, (Fig 4). **NOTE:** Rotate the Bolt Plate so that the plate is across, not inline with the oval hole.

Attach the Driver Rear Mounting Bracket (DRM) to the M10x35 Bolt Plate with (1) M10 Large Flat Washer, (1) M10 Lock Washer and (1) M10 Hex Nut, (Fig 5). **NOTE:** A deep socket is required to tighten the Hex Nut up into the Bracket. Do not fully tighten hardware at this time.



(Fig 4) Insert (1) M10x35 Bolt Plate Into The Slot



(Fig 5) Driver Rear Mounting Bracket Installation

## STEP 5

Once all (2) Driver side mounting brackets are installed, then proceed to the Step Bar installation. (Figs 6 & 7)

- (1) Select (1) Slider and (2) M8X1.25-35mm Carriage Bolts;
- (2) Install (2) M8X1.25-35mm Carriage Bolts in (1) Slider.
- (3) Slide the Slider (with carriage bolts) to the **Step Bar**.
- (4) Repeat to install the other (1) slider to the step bar.
- (5) Attach the Step Bar (with the Sliders) onto the installed mounting brackets. Position the Sliders to the installed brackets. Secure the Step Bar to the installed Brackets by using (4) M8 Large Flat Washers and (4) M8 Nylon Lock Nuts and (2) Sliders, (Fig 7). Do not fully tighten hardware at this time.

**Note:** The Sliders are packed with the Mounting Brackets.

## STEP 6

With the Step Bar Bracket hardware loose, pull the Brackets outward away from the vehicle for proper clearance.

## STEP 7

Line up the Driver Front Support Bracket (**DFS**) with the back of the pinch weld, (Fig 8). Push the Support Bracket up as high as possible to where the pinch weld meets the floor panel. Do not fully tighten hardware.

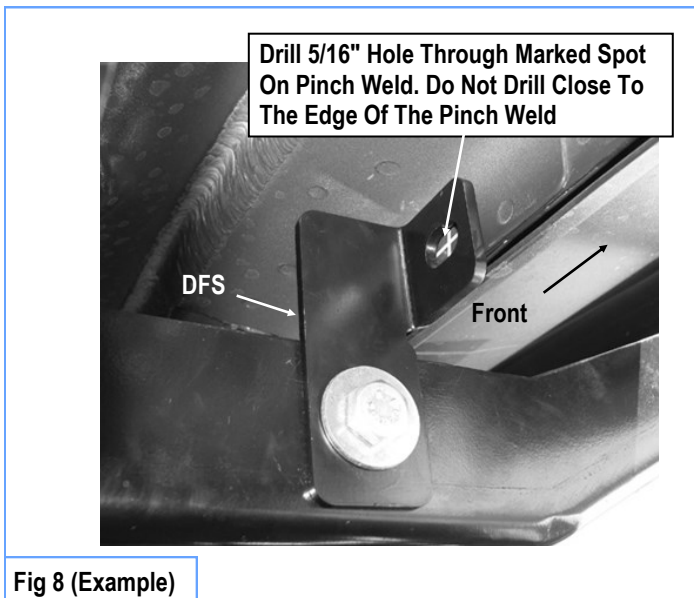
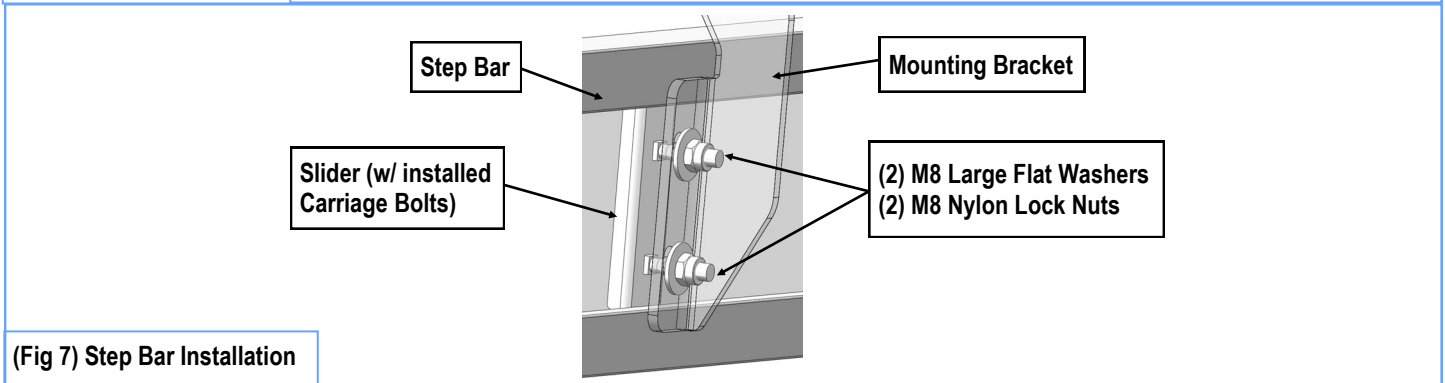
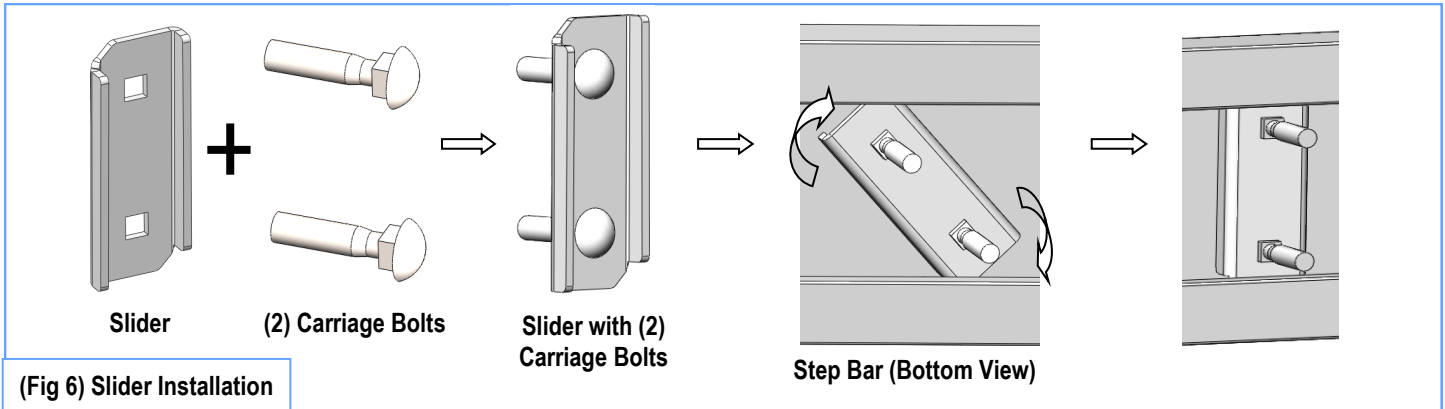
Check the Step Bar for level. Once properly aligned and adjusted, tighten all hardware. **IMPORTANT:** If the Support Bracket is too low and close to the edge of the pinch weld, loosen the Support Bracket and front Bracket hardware. Push the Bracket and Support Bracket up a little into position against the floor panel and away from the edge of the pinch weld, (Fig 8). Level and adjust the Step Bar properly and tighten all hardware.

## STEP 8

Use the hole in the Support Bracket as a guide to mark the drilling location on the back of the pinch weld, (Fig 8). Once you have marked the location, temporarily remove the step bar, the front Mounting Bracket and Support Bracket. Remove the plastic clips securing the plastic rocker cover to the rocker panel.

Use a 5/16" drill bit and carefully drill the marked location.

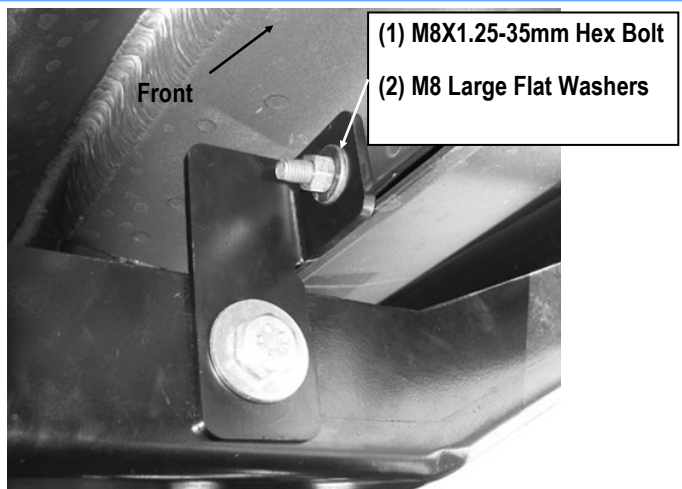
**NOTE:** The plastic rocker panel cover may need to be trimmed to clear the hex bolt for the Support Bracket. **IMPORTANT:** Any cutting or drilling tool may break or shatter. Government regulations require safety glasses & equipment at all times when cutting or drilling.



### STEP 9

Re-install the driver side front Mounting Bracket and Support Bracket. Attach the Support Bracket to the pinch weld with (1) M8X1.25-35mm Hex Bolt, (2) M8 Large Flat Washers, (1) M8 Lock Washer and (1) M8 Hex Nut, (Fig 9). **NOTE:** Insert the M8 Hex Bolt with (1) M8 Large Flat Washer through the pinch weld first, then through the Bracket.

Cut the rocker panel cover as required and reinstall the cover with the factory plastic clips. Reinstall the Step Bar.



(Fig 9) Driver Front Support Bracket Installation (Example)

## STEP 10

Level and adjust the Step Bar and fully tighten all hardware.

## STEP 11

Repeat **Steps 1-11** for other side Step Bar installation. **The installation is completed.**

### Attention

Do periodic inspections to the installation to make sure that all hardware is secure and tight.

In order to protect your bars/boards, please use mild soap/non-abrasive products for cleaning only.