

# iBoard®



Scan for  
Installation Video

## iBoard® by APS

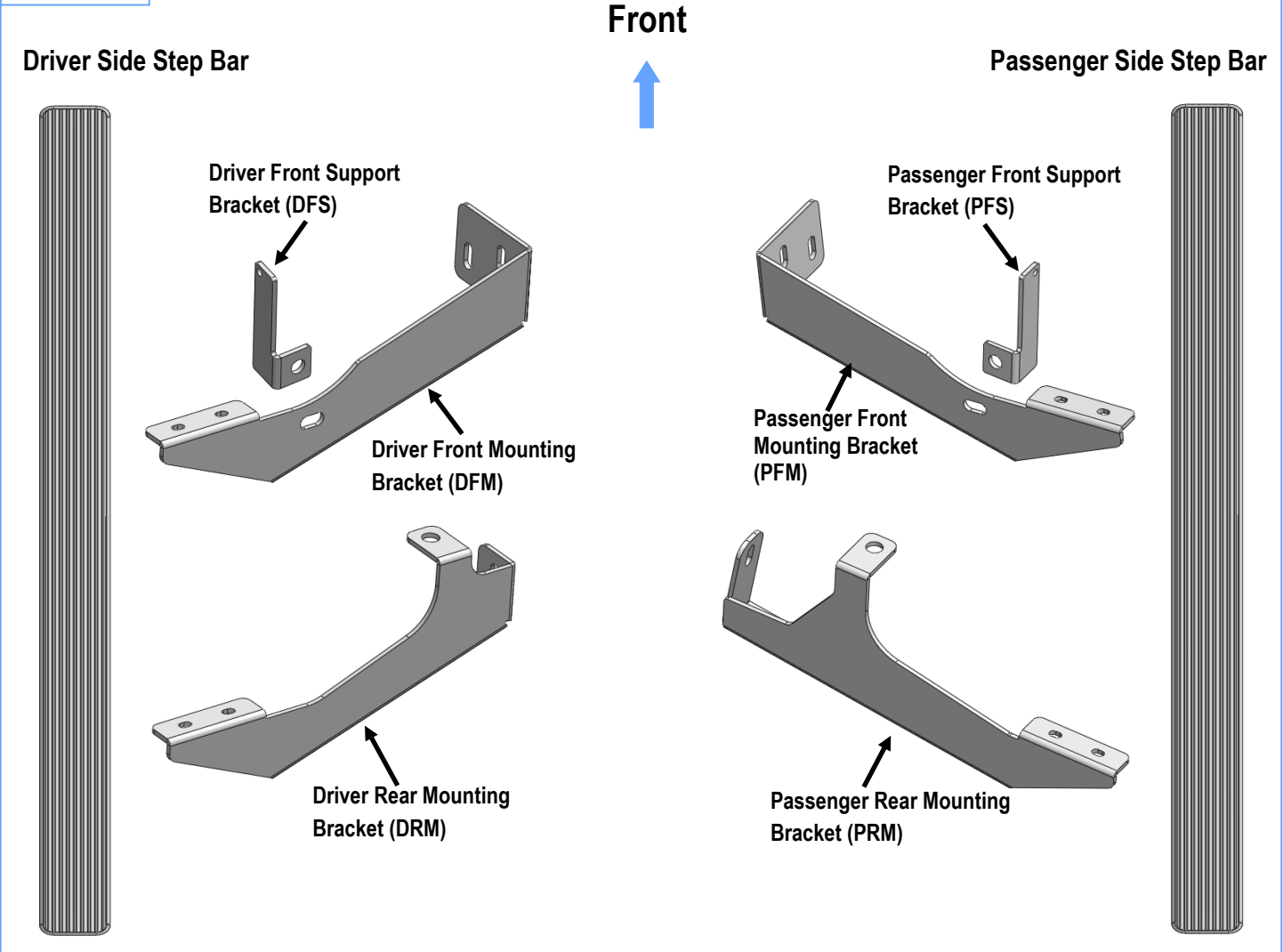
PART#: IB-081C&H

READ INSTRUCTIONS CAREFULLY BEFORE STARTING INSTALLATION. REMOVE CONTENTS FROM BOX AND VERIFY ALL PARTS ARE PRESENT. ASSISTANCE IS RECOMMENDED.

\*ROCK PANEL MOUNT  
\*NO DRILLING REQUIRED

Fastener Size	Tightening Torque (ft-lbs)	Required
6mm	6-7	X
8mm	16-18	√
10mm	31-32	√
12mm	56-58	√
14mm	92-94	X

### PART LIST

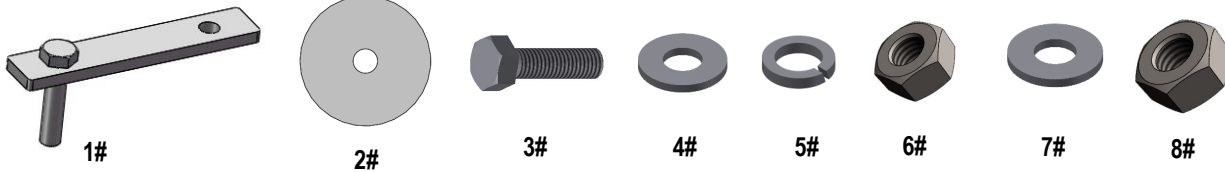


Customer Support: [info@iboardauto.com](mailto:info@iboardauto.com)



## Hardware Package A (For Bracket Installation)

Item	QTY	Description	Item	QTY	Description
1#	6	M10X45 Bolt Plates	5#	8	M10 Lock Washers
2#	6	M10 Plastic Washers	6#	8	M10 Hex Nuts
3#	2	M10X1.5-30mm Hex Bolts	7#	2	M12 Large Flat Washers
4#	8	M10 Large Flat Washers	8#	2	M12 Hex Nuts



## Hardware Package B (For Stainless Steel Step Bar Installation)

Item	QTY	Description	Item	QTY	Description
1#	8	M8X1.25-35mm Carriage Bolts	3#	8	M8 Nylon Lock Nuts
2#	8	M8 Large Flat Washers	4#	4	Sliders (Packed with Step Bars)

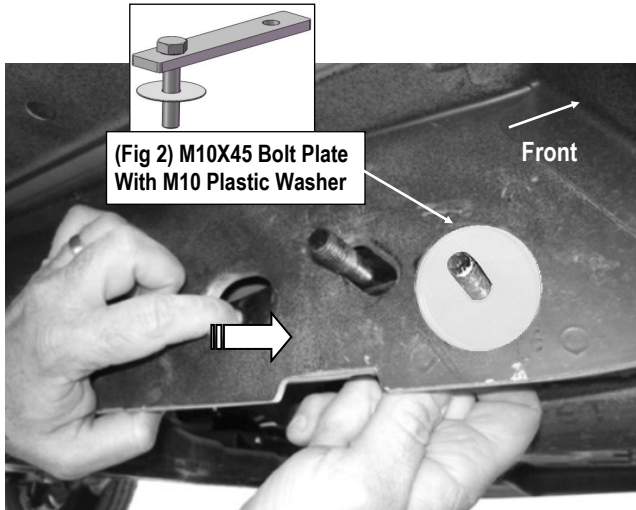




## STEP 1

Start installation from the passenger side front of the vehicle. Locate the (3) factory holes in the outside of the frame rail towards the front of the vehicle, (one large round, one oval, and one small round hole).

Insert (1) M10x45 Bolt Plate into and through the large round hole and out the small round hole, (**Fig 1**). Thread (1) M10 Plastic Washer onto the threaded end of the Bolt Plate until it is tight against the frame rail, (**Fig 2**). The M10 Plastic Washer is designed to prevent the Bolt Plate from falling back into the frame rail and to aid in mounting the Bracket. Repeat this Step to install the 2nd Bolt Plate into the oval hole.

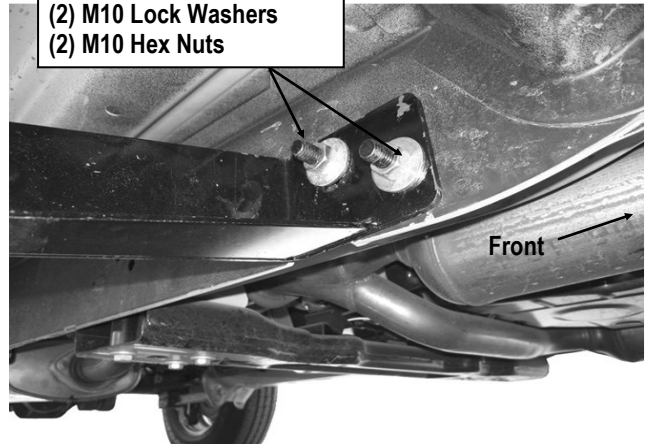


(Fig 1) Passenger Side Front Mounting Location

## STEP 2

Then, attach the Passenger Front Mounting Bracket (**PFM**) over the (2) M10x45 Bolt Plates. Secure the Front Mounting Bracket to the Bolt Plates using the included (2) M10 Large Flat Washers, (2) M10 Lock Washers and (2) M10 Hex Nuts, (**Fig 3**). Do not fully tighten hardware at this time.

- (2) M10X45 Bolt Plates
- (2) M10 Plastic Washers
- (2) M10 Large Flat Washers
- (2) M10 Lock Washers
- (2) M10 Hex Nuts

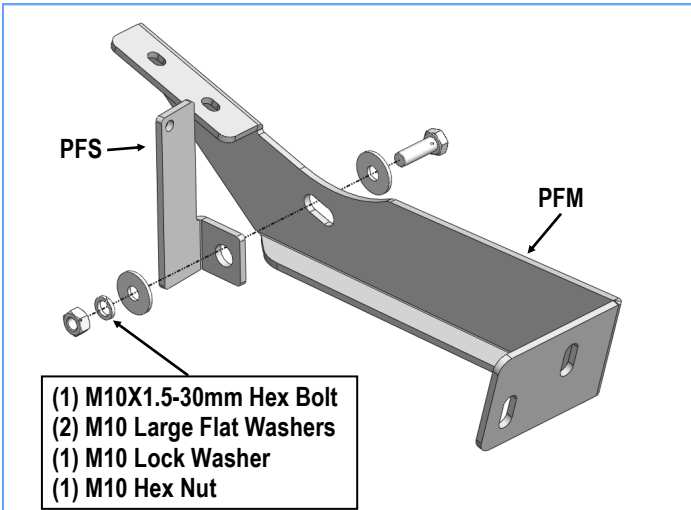


(Fig 3) Passenger Front Mounting Bracket Installation

## STEP 3

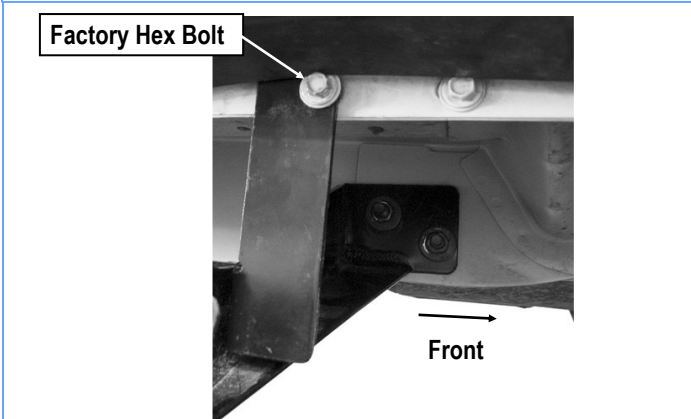
Bolt the bent end of Passenger Front Support Bracket (**PFS**) to the front of the Passenger Front Mounting Bracket (**PFM**) using with (1) M10X1.5-30mm Hex Bolts, (2) M10 Large Flat Washers, (1) M10 Lock Washer and (1) M10 Hex Nuts, (**Fig 4**). Do not fully tighten hardware at this time.

Carefully pull the plastic body panel back and remove the factory bolt in the pinch weld located right above the Passenger Front Mounting Bracket. Insert the Support Bracket between the plastic panel and the pinch weld. Bolt the flat end of the Passenger Front Support Bracket to the outside of the pinch weld using the factory bolt, (**Fig 5**). Do not fully tighten hardware at this time.



- (1) M10X1.5-30mm Hex Bolt
- (2) M10 Large Flat Washers
- (1) M10 Lock Washer
- (1) M10 Hex Nut

(Fig 4) Passenger Front Mounting Bracket Assembly



(Fig 5) Passenger Front Support Bracket Installation

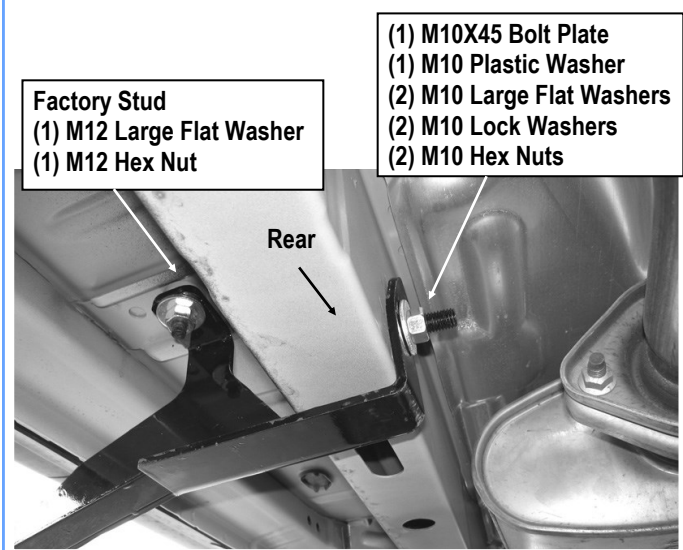
## STEP 4

Move to passenger side rear mounting location. Verify that exhaust is completely cool before continuing.

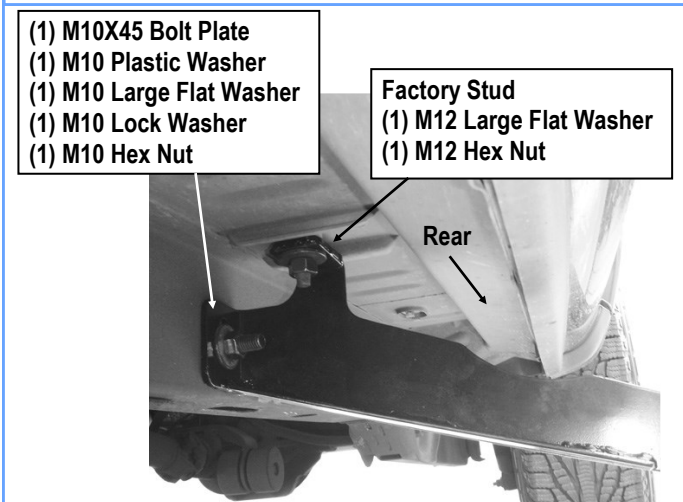
Insert (1) M10X45 Bolt Plate through the factory oval hole in the bottom of the frame rail and out through the hole in the inner wall of the frame channel, (Fig 6). Thread (1) M10 Plastic Washer onto the threaded end of the Bolt Plate until it is tight against the frame rail as described in Step 2.

Select the Passenger Rear Mounting Bracket (PRM). Hang the Bracket from the Bolt Plate with the included (1) M10 Lock Washer, (1) M10 Large Flat Washer and (1) M10 Hex Nut. Rotate the Bracket up and over the Factory 12mm Stud located in the floor panel towards the center of the vehicle. Attach the Bracket to the stud using the included (1) M12 Large Flat Washer and (1) M12 Hex Nut, (Fig 6). Do not fully tighten hardware at this time.

**Note:** Driver side Rear Mounting Bracket bolts to the outer wall of the frame channel, (Fig 7).



(Fig 6) Passenger Rear Mounting Bracket Installation



(Fig 7) Driver Rear Mounting Bracket Installation



## STEP 4

Once all (2) Passenger side mounting brackets are installed, then proceed to the Step Bar installation. **(Figs 8 & 9)**

- (1) Select (1) Slider and (2) M8X1.25-35mm Carriage Bolts;
- (2) Install (2) M8X1.25-35mm Carriage Bolts in (1) Slider.
- (3) Slide the Slider (with carriage bolts) to the **Step Bar**.
- (4) Repeat to install the other (1) slider to the step bar.
- (5) Attach the Step Bar (with the Sliders) onto the installed mounting brackets. Position the Sliders to the installed brackets. Secure the Step Bar to the installed Brackets by using (4) M8 Large Flat Washers and (4) M8 Nylon Lock Nuts and (2) Sliders, **(Fig 9)**. Do not fully tighten hardware at this time.

**Note:** The Sliders are packed with the Step Bars.

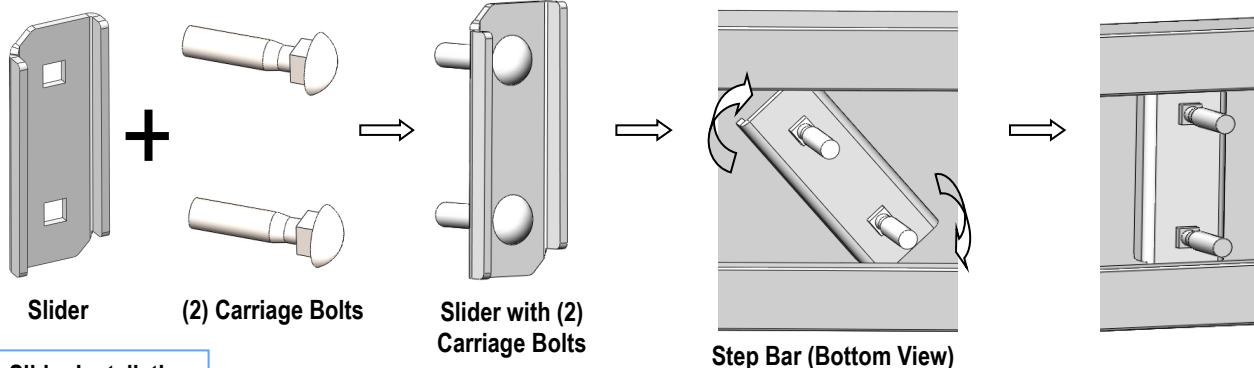
Level and adjust the Step Bar and fully tighten all hardware.

Repeat **Steps 1-4** for the other side Step Bar installation. **The installation is completed!!!**

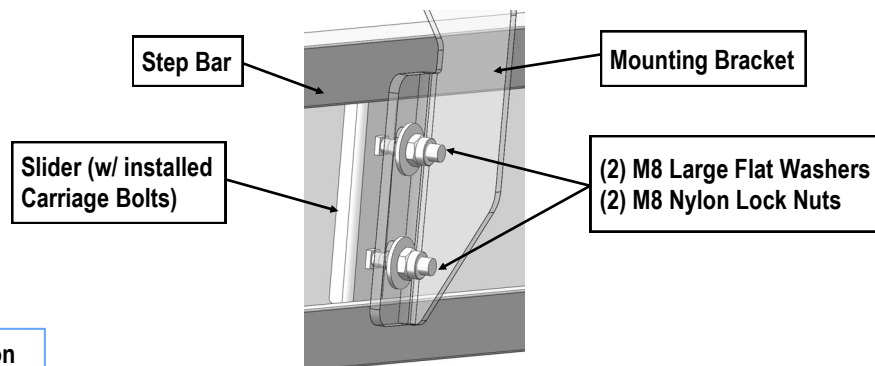
### Attention

**Do periodic inspections to the installation to make sure that all hardware is secure and tight.**

**In order to protect your bars/boards, please use mild soap/non-abrasive products for cleaning only.**



**(Fig 8) Slider Installation**



**(Fig 9) Step Bar Installation**