



iBoard® by APS

PART#: IB-108C&H

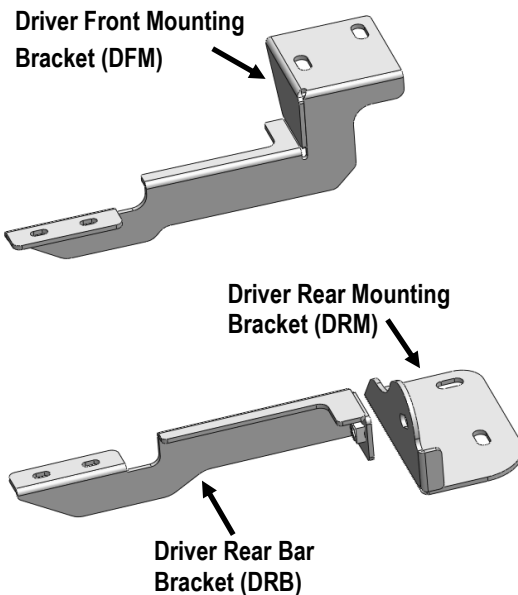
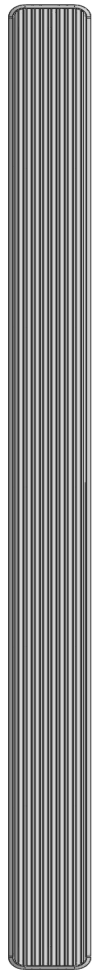
READ INSTRUCTIONS CAREFULLY BEFORE STARTING INSTALLATION. REMOVE CONTENTS FROM BOX AND VERIFY ALL PARTS ARE PRESENT. ASSISTANCE IS RECOMMENDED.

*ROCKER PANEL MOUNT
*NO DRILLING REQUIRED

Fastener Size	Tightening Torque (ft-lbs)	Required
6mm	6-7	X
8mm	16-18	√
10mm	31-32	√
12mm	56-58	√
14mm	92-94	X

PART LIST

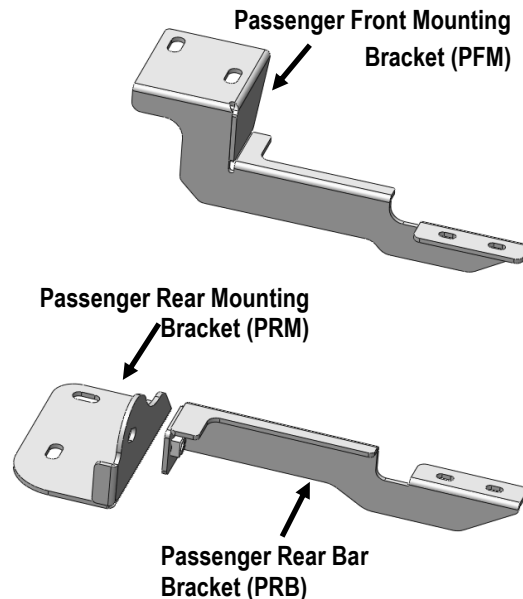
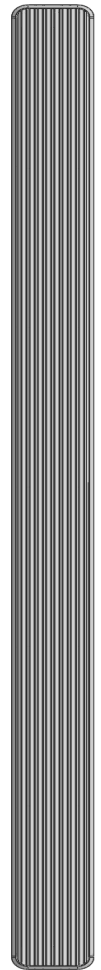
Driver Side Step Bar



Front



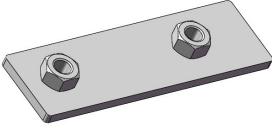
Passenger Side Step Bar



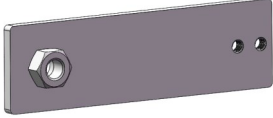


Hardware Package A (For Bracket Installation)


Item	QTY	Description	Item	QTY	Description
1#	2	M10 Double Nut Plate	5#	8	M10 Lock Washers
2#	2	M10 Single Nut Plate	6#	2	M12X1.75-35mm Hex Bolts
3#	8	M10X1.5-30mm Hex Bolts	7#	2	M12 Flat Washers
4#	8	M10 Flat Washers	8#	2	M12 Lock Washers




1#




2#




3#




4#




5#



6#



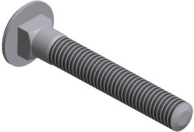
7#




8#

Hardware Package B (For Stainless Steel Step Bar Installation)


Item	QTY	Description	Item	QTY	Description
1#	8	M8X1.25-35mm Carriage Bolts	3#	8	M8 Nylon Lock Nuts
2#	8	M8 Large Flat Washers	4#	4	Sliders (Packed with Step Bars)



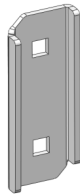
1 #



2 #



3 #



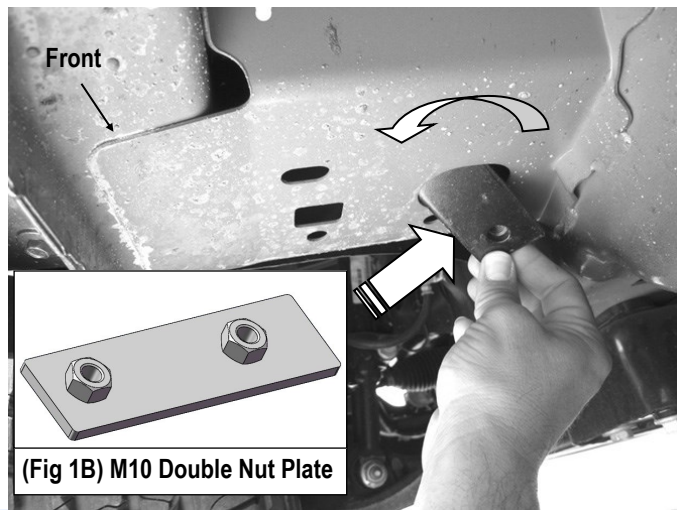
4 #



STEP 1

Start installation from the driver side front of the vehicle. Locate the Driver Front Mounting Bracket (DFM) location, (Fig 1A).

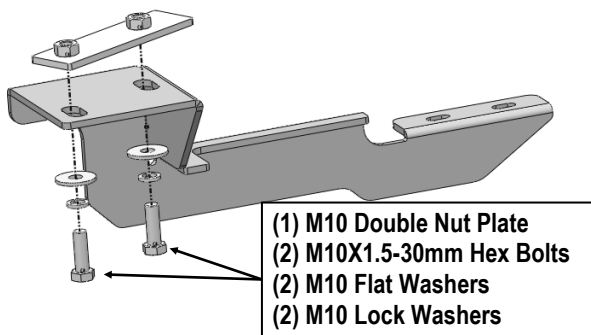
Select (1) M10 Double Nut Plate, (Fig 1B). Insert the M10 Double Nut Plate into the large round hole in the floor panel. Line up the (2) threaded nuts in the M10 Double Nut Plate with the large round hole and the oval hole in the floor panel.



(Fig 1A) Driver Front Mounting Bracket (DFM) Location

STEP 2

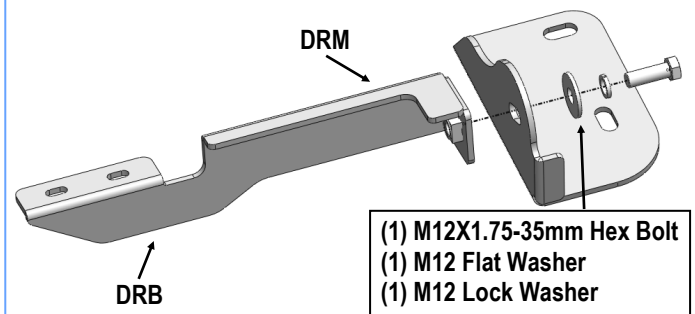
Select the Driver Front Mounting Bracket (DFM). Attach the Bracket to the M10 Double Nut Plate with (2) M10X1.5-30mm Hex Bolts, (2) M10 Lock Washers and (2) M10 Flat Washers (Fig 2). Do not fully tighten hardware at this time.



(Fig 2) Driver Front Mounting Bracket (DFM) Installation

STEP 3

Next, move to the driver side rear of the vehicle. Assemble (1) Driver Rear Mounting Bracket (DRM) and (1) Driver Rear Bar Bracket (DRB) with (1) M12X1.75-35mm Hex Bolt, (1) M12 Flat Washer and (1) M12 Lock Washer (Fig 3). Do not fully tighten hardware at this time.

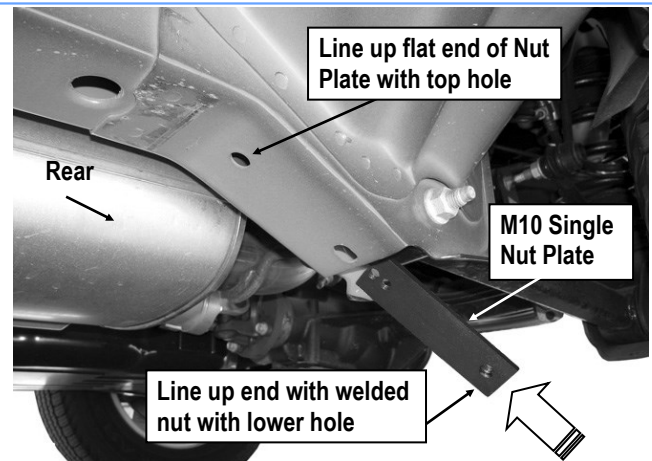


(Fig 3) Driver Side Rear Mounting Bracket Assembly

STEP 4

Locate the factory mount for the rear trailing arm, (Fig 4). Select (1) M10 Single Nut Plate. Insert the flat end of the M10 Single Nut Plate with the threaded holes, (No welded nut), up and into the underside of the trailing arm mount. Line up the threaded holes in the M10 Single Nut Plate with the (2) holes in the trailing arm mount.

NOTE: Make sure that the end on the Nut Plate with the welded nut is towards the bottom of the trailing arm mount.

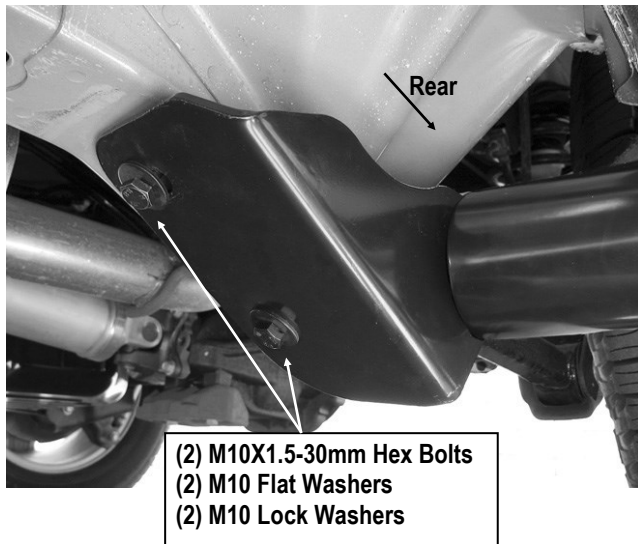


(Fig 4) Driver Rear Mounting Bracket Location

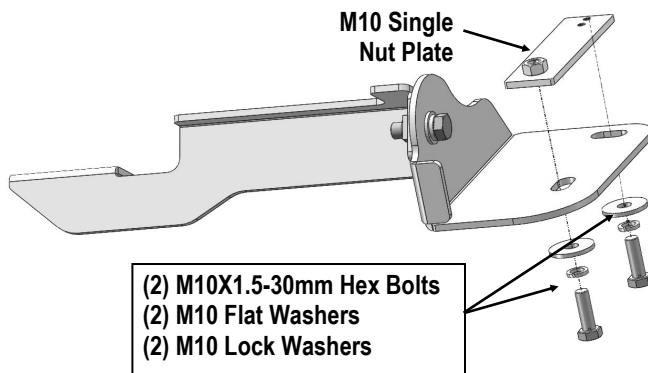


STEP 5

Next, attach Driver Rear Mounting Bracket (DRM) to M10 Single Nut Plate with (2) M10X1.5-30mm Hex Bolts, (2) M10 Lock Washers, and (2) M10 Flat Washers, (Fig 5 & 6). Do not fully tighten hardware at this time.



(Fig 5) Driver Rear Mounting Bracket (DRM) Installation



(Fig 6) Driver Rear Mounting Bracket (DRM) Installation

STEP 6

Once all (2) Driver side mounting brackets are installed, then proceed to the Step Bar installation. (Figs 7 & 8)

- (1) Select (1) Slider and (2) M8X1.25-35mm Carriage Bolts;
- (2) Install (2) M8X1.25-35mm Carriage Bolts in (1) Slider.
- (3) Slide the Slider (with carriage bolts) to the **Step Bar**.
- (4) Repeat to install the other (1) slider to the step bar.
- (5) Attach the Step Bar (with the Sliders) onto the installed mounting brackets. Position the Sliders to the installed brackets. Secure the Step Bar to the installed Brackets by using (4) M8 Large Flat Washers and (4) M8 Nylon Lock Nuts and (2) Sliders, (Fig 8). Do not fully tighten hardware at this time.

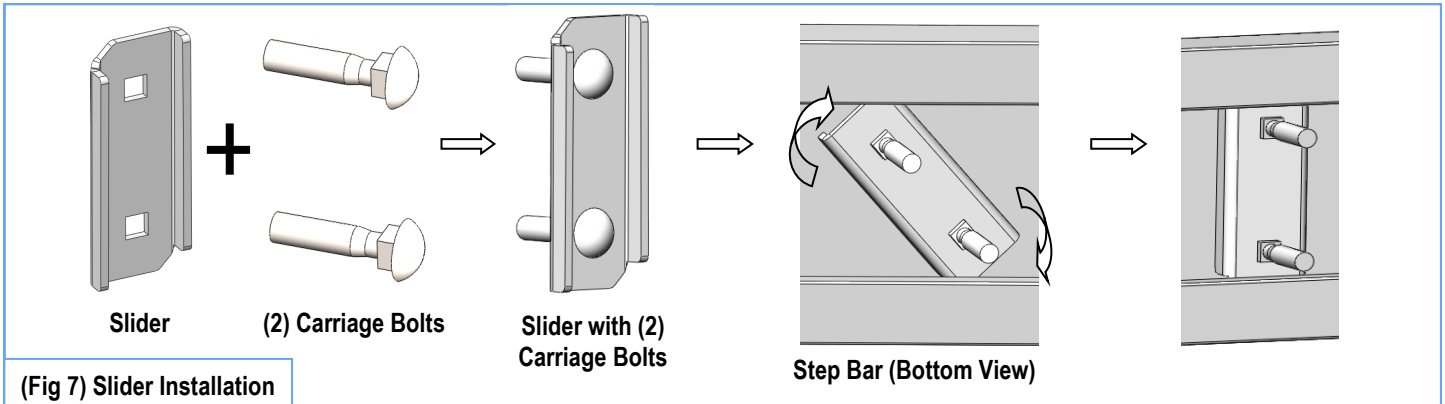
Note: The Sliders are packed with the Step Bars.

Level and adjust the Step Bar and fully tighten all hardware. Repeat **Steps 1-6** for the other side Step Bar installation. **The installation is completed!!!**

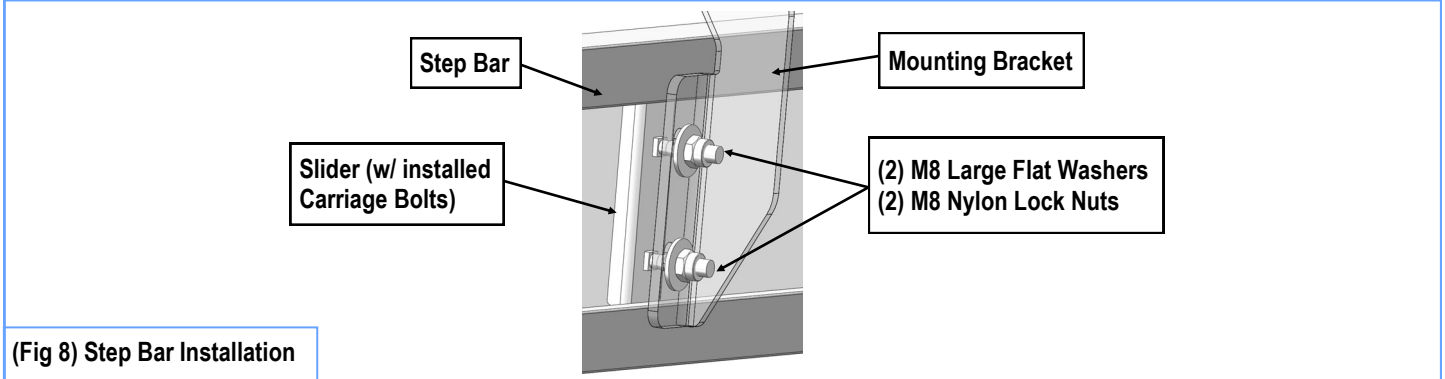
Attention

Do periodic inspections to the installation to make sure that all hardware is secure and tight.

In order to protect your bars/boards, please use mild soap/non-abrasive products for cleaning only.



(Fig 7) Slider Installation



(Fig 8) Step Bar Installation