



iBoard® by APS

PART#: IB-107C&H

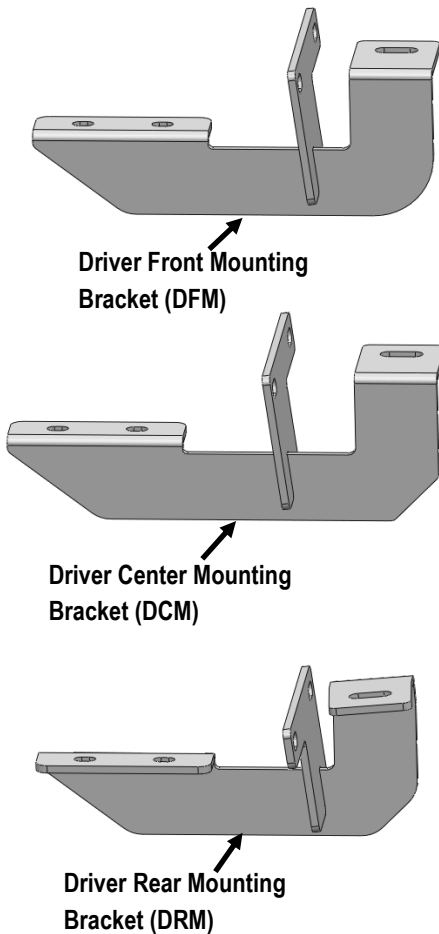
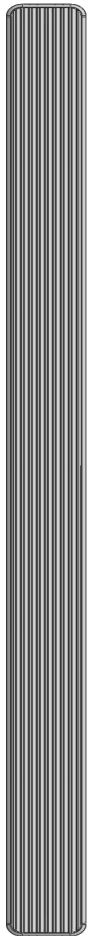
READ INSTRUCTIONS CAREFULLY BEFORE STARTING INSTALLATION. REMOVE CONTENTS FROM BOX AND VERIFY ALL PARTS ARE PRESENT. ASSISTANCE IS RECOMMENDED.

*ROCKER PANEL MOUNT
*NO DRILLING REQUIRED

Fastener Size	Tightening Torque (ft-lbs)	Required
6mm	6-7	√
8mm	16-18	√
10mm	31-32	X
12mm	56-58	X
14mm	92-94	X

PART LIST

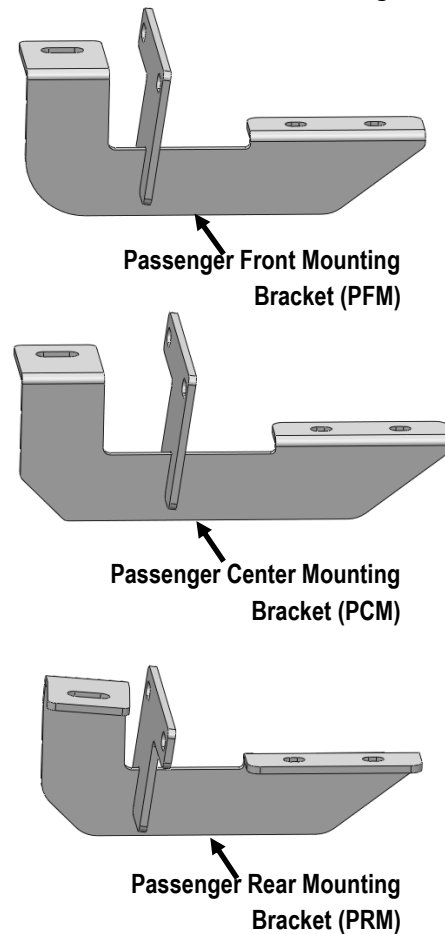
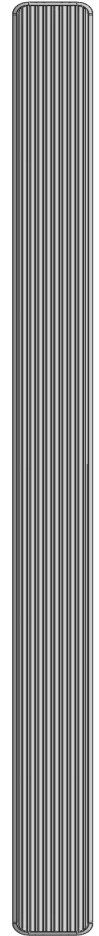
Driver Side Step Bar



Front



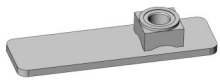
Passenger Side Step Bar



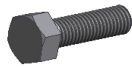


Hardware Package A (For Bracket Installation)

Item	QTY	Description	Item	QTY	Description
1#	6	M8X1.25 Nut Plates	5#	12	M6X1-25mm Inner Hex Bolts
2#	6	M8X1.25-35mm Hex Bolts	6#	24	M6 Large Flat Washers
3#	6	M8 Large Flat Washers	7#	12	M6X1 Nylon Lock Nuts
4#	6	M8 Lock Washers			



1#



2#



3#



4#



5#



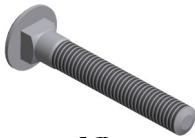
6#



7#

Hardware Package B (For Stainless Steel Step Bar Installation)

Item	QTY	Description	Item	QTY	Description
1#	12	M8X1.25-35mm Carriage Bolts	3#	12	M8 Nylon Lock Nuts
2#	12	M8 Large Flat Washers	4#	6	Sliders (Packed with Step Bars)



1 #



2 #



3 #



4 #

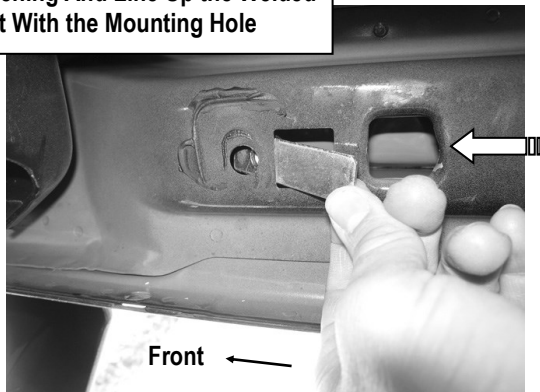


STEP 1

THE FACTORY ROCK RAILS, SIDE STEPS OR RUNNING BOARDS MUST BE REMOVED BEFORE INSTALLING.

Start installation from the passenger side front of the vehicle. Determine if the vehicle has an opening or a threaded hole in the floor panel on the mounting location, (**Fig 1 - 2**). Remove any insulation that may be covering the mounting locations.

Insert M8X1.25 Nut Plate Into Opening And Line Up the Welded Nut With the Mounting Hole



(Fig 1) Vehicle with opening in Floor Panel (Passenger Side-Front Mounting Location)



(Fig 2) Vehicle with 8mm Threaded Hole in Floor Panel

STEP 2

Select the Passenger Front Mounting Bracket (**PFM**).

VERY IMPORTANT: The (6) Mounting Brackets are similar but not the same. Identify the brackets carefully by using the bracket pictures on “Part List” page and the labels attached on the brackets.

Vehicles with opening in the floor panel:

Insert (1) M8X1.25 Nut Plate into the large square opening in the floor panel. Line up the threaded nut with the small round hole, (**Fig 1**). Bolt the Bracket to the M8X1.25 Nut Plate with (1) M8X1.25-35mm Hex Bolt, (1) M8 Lock Washer and (1) M8 Large Flat Washer, (**Fig 3**). Do not fully tighten hardware.

Vehicles with factory threaded hole in floor panel:

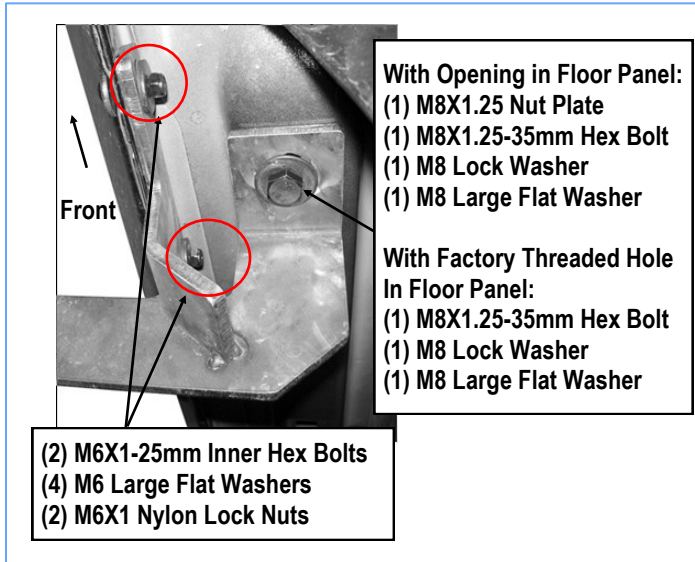
Bolt the upper hole of the mounting bracket to the threaded hole in the floor panel with (1) M8X1.25-35mm Hex Bolt, (1) M8 Lock Washer and (1) M8 Large Flat Washer, (**Fig 2 & 3**). Do not fully tighten hardware.

STEP 3

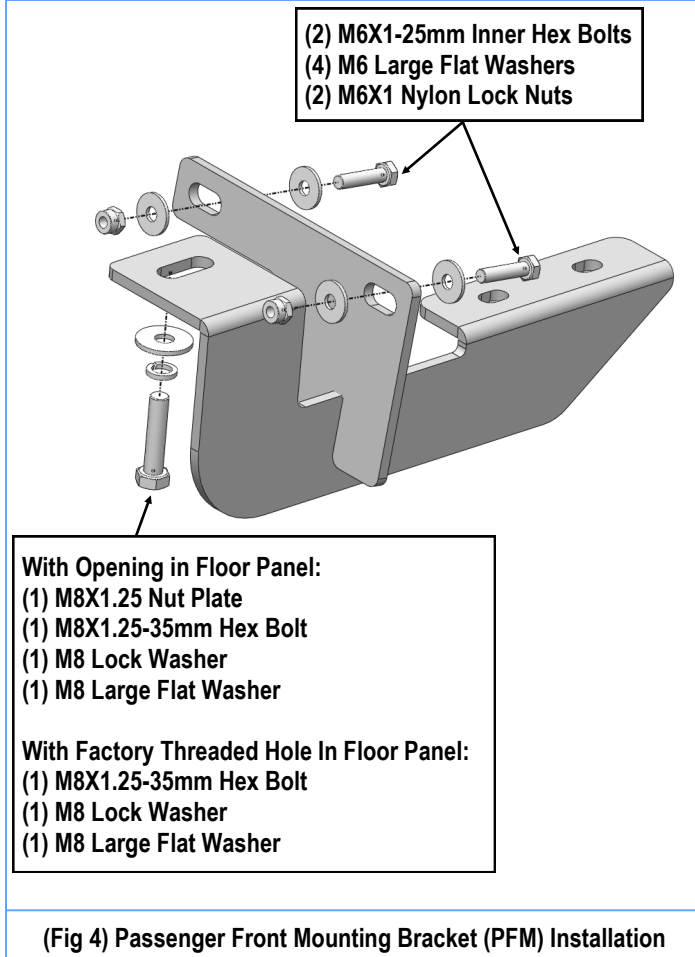
Line up the mounting plate on the Bracket with the (2) factory holes in the pinch weld. Bolt the Mounting Bracket to the back of the pinch weld using the included (2) M6X1-25mm Inner Hex Bolts, (4) M6 Large Flat Washers and (2) M6X1 Nylon Lock Nuts, (**Fig 3**). Leave loose at this time.

STEP 4

Repeat **Steps 1—3** to install the **Passenger Center and Rear Mounting Brackets**. Do not fully tighten hardware at this time.



(Fig 3) Passenger Front Mounting Bracket (PFM) Installed



(Fig 4) Passenger Front Mounting Bracket (PFM) Installation

STEP 5

Once all (3) Passenger side mounting brackets are installed, then proceed to the Step Bar installation. **(Figs 5 & 6)**

- (1) Select (1) Slider and (2) M8X1.25-35mm Carriage Bolts;
- (2) Install (2) M8X1.25-35mm Carriage Bolts in (1) Slider.
- (3) Slide the Slider (with carriage bolts) to the **Step Bar**.
- (4) Repeat to install the other (2) sliders to the step bar.
- (5) Attach the Step Bar (with the Sliders) onto the installed mounting brackets. Position the Sliders to the installed brackets. Secure the Step Bar to the installed Brackets by using (6) M8 Large Flat Washers and (6) M8 Nylon Lock Nuts and (3) Sliders, **(Fig 6)**. Do not fully tighten hardware at this time.

Note: The Sliders are packed with the Step Bars.

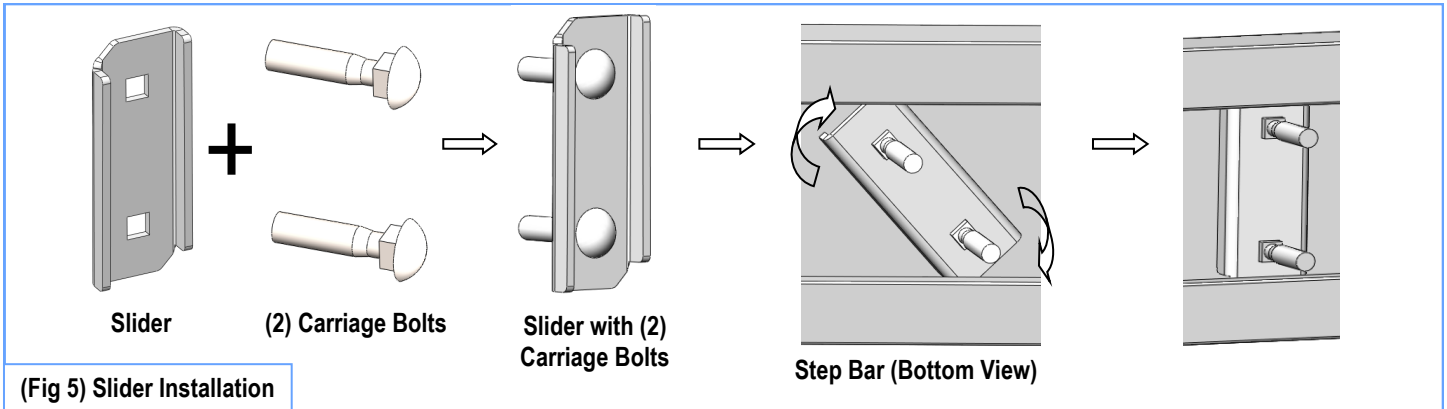
Level and adjust the Step Bar and fully tighten all hardware.

Repeat **Steps 1-5** for the other side Step Bar installation. **The installation is completed!!!**

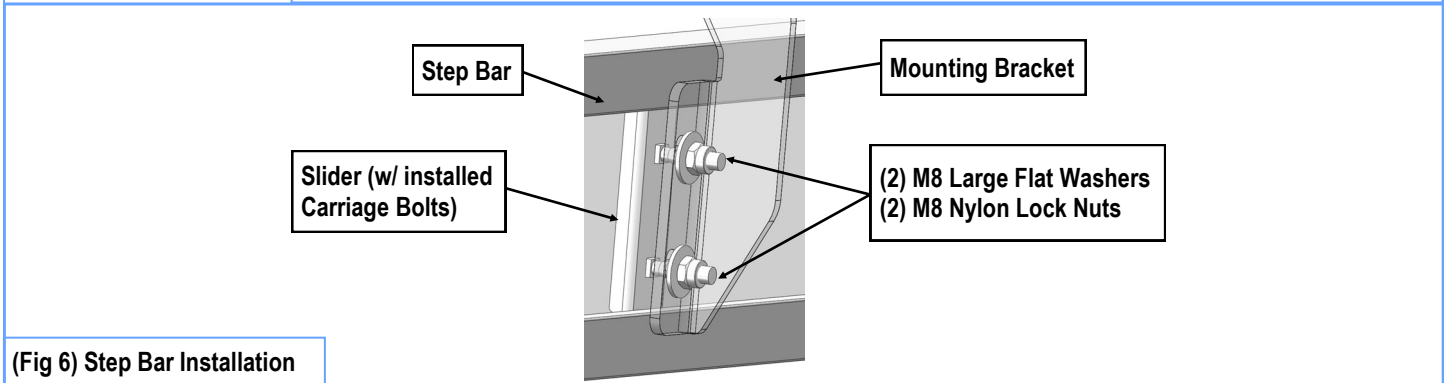
Attention

Do periodic inspections to the installation to make sure that all hardware is secure and tight.

In order to protect your bars/boards, please use mild soap/non-abrasive products for cleaning only.



(Fig 5) Slider Installation



(Fig 6) Step Bar Installation