

# iBoard®

## iBoard® by APS

PART#: IB-192A-B

READ INSTRUCTIONS CAREFULLY BEFORE STARTING INSTALLATION. REMOVE CONTENTS FROM BOX AND VERIFY ALL PARTS ARE PRESENT. ASSISTANCE IS RECOMMENDED.

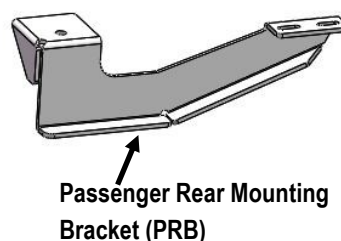
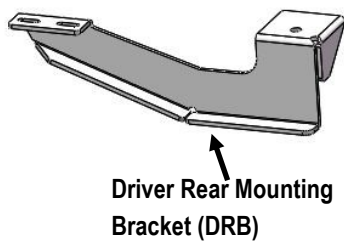
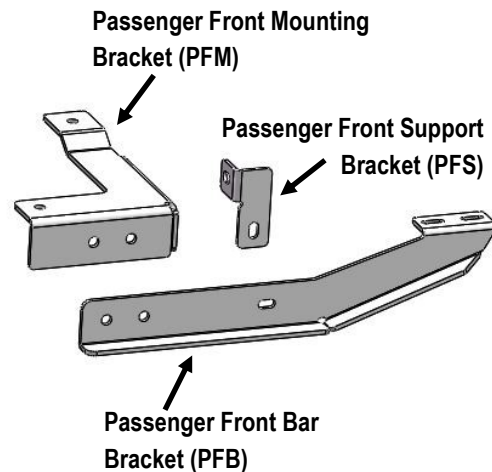
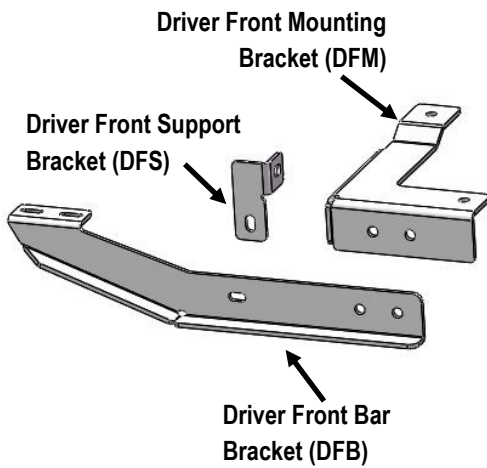
\*BODY FRAME MOUNT

\*DRILLING IS REQUIRED/ CUTTING IS REQUIRED

Fastener Size	Tightening Torque (ft-lbs)
6mm	6-7
8mm	16-18
10mm	31-32
12mm	56-58
14mm	92-94

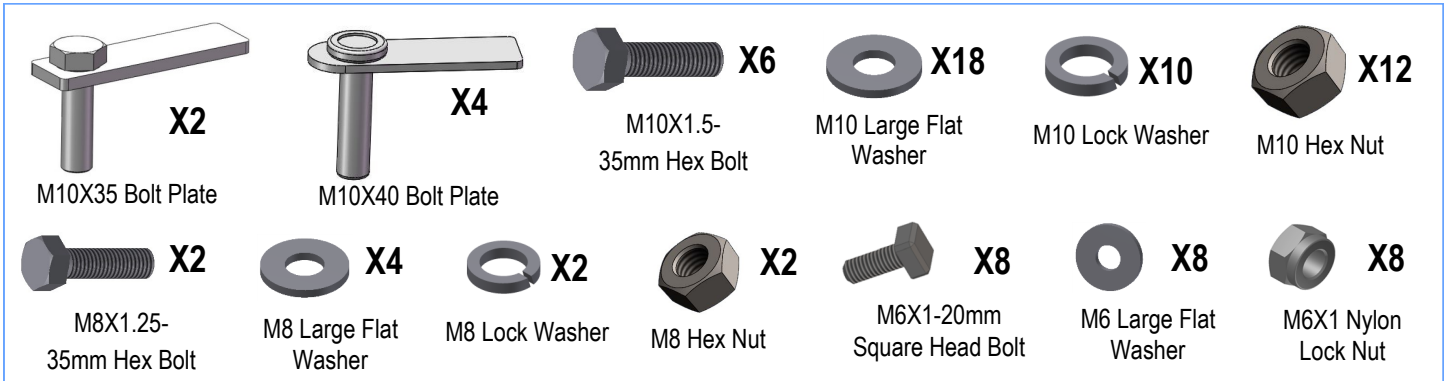
### PART LIST

Front  
↑



Customer Support: [info@iboardauto.com](mailto:info@iboardauto.com)

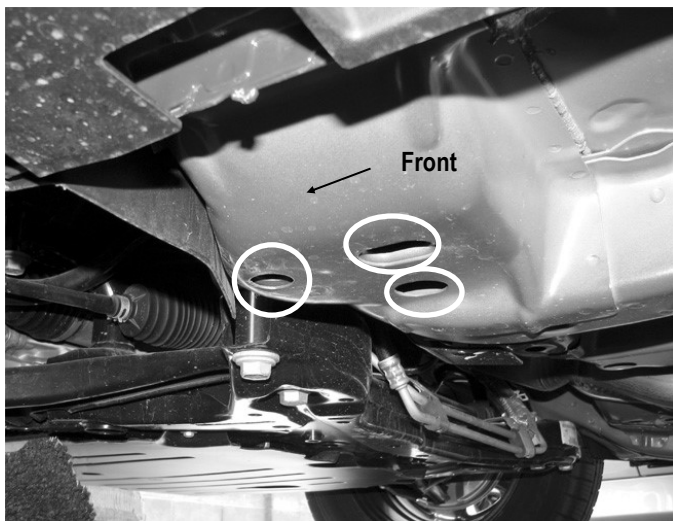
# iBoard®



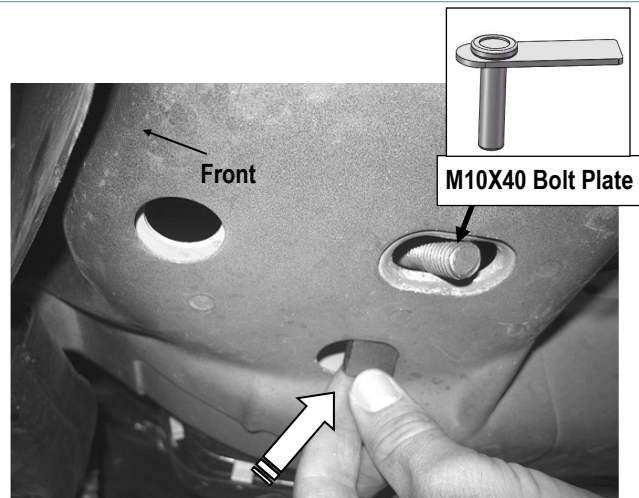
## STEP 1

Start installation from the driver side front of the vehicle. Locate the (3) factory holes (1 round and 2 oval holes).

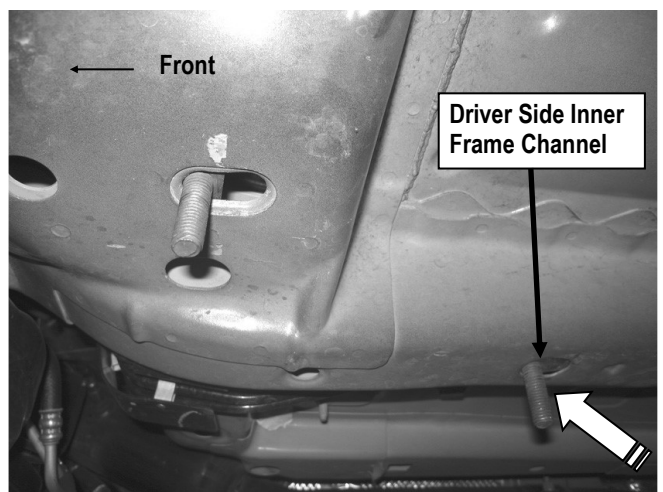
In the bottom of the left front floor panel, **(Fig 1)**. Insert (1) M10X40 Bolt Plate into the smaller, (inner), oval hole and feed the threaded end back out through the larger, (outer), oval hole, **(Fig 2)**. Next, insert (1) M10X40 Bolt Plate into the oval hole in the bottom of the inner frame channel, **(Fig 3)**.



**(Fig 1)** Driver Side Front Mounting Location Pictured



**(Fig 2)** Insert (1) M10X40 Bolt Plate Into The Inner Small Oval Hole



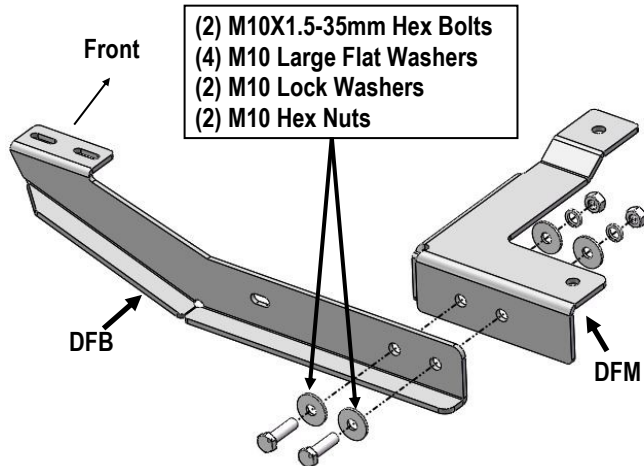
**(Fig 3)** Insert (1) M10X40 Bolt Plate Into The Bottom Of The Inner Frame Channel

# iBoard®

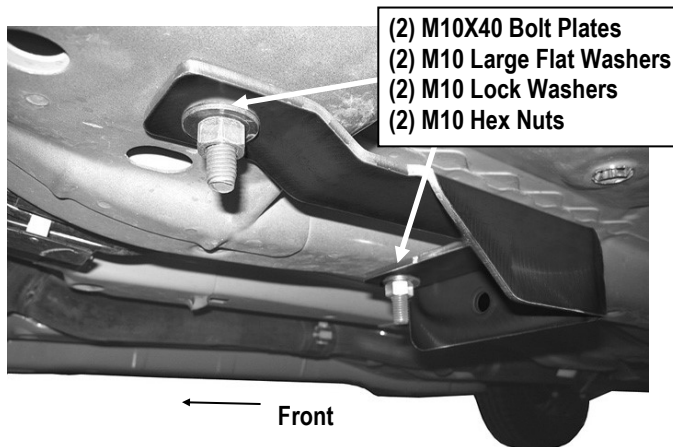
## STEP 2

Select the Driver Front Mounting Bracket (**DFM**) and the Driver Front Bar Bracket (**DFB**). Bolt the Bar Bracket to the back of the Mounting Bracket with the included (2) M10X1.5-35mm Hex Bolts, (4) M10 Large Flat Washers, (2) M10 Lock Washers and (2) M10 Hex Nuts, (**Fig 4**). Do not fully tighten hardware at this time.

Then, attach the assembled driver side front Bracket to the (2) M10X40 Bolt Plates with the included (2) M10 Large Flat Washers, (2) M10 Lock Washers and (2) M10 Hex Nuts, (**Fig 5**). Do not fully tighten hardware at this time.



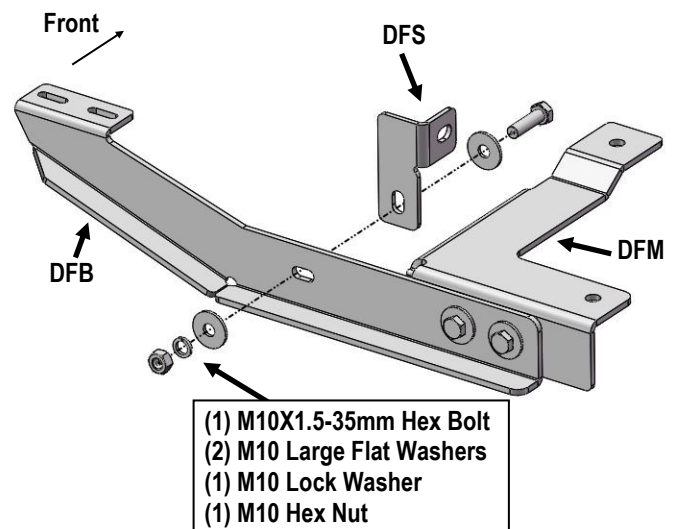
(Fig 4) Driver Front Mounting Bracket Assembly



(Fig 5) Driver Front Mounting Bracket Installation

## STEP 3

Next, select the Driver Front Support Bracket (**DFS**), (**Fig 6**). Attach the Support Bracket to the front side of the Driver Front Bar Bracket with (1) M10X1.5-35mm Hex Bolt, (2) M10 Large Flat Washers, (1) M10 Lock Washer and (1) M10 Hex Nut, (**Fig 6**). Do not fully tighten hardware at this time.



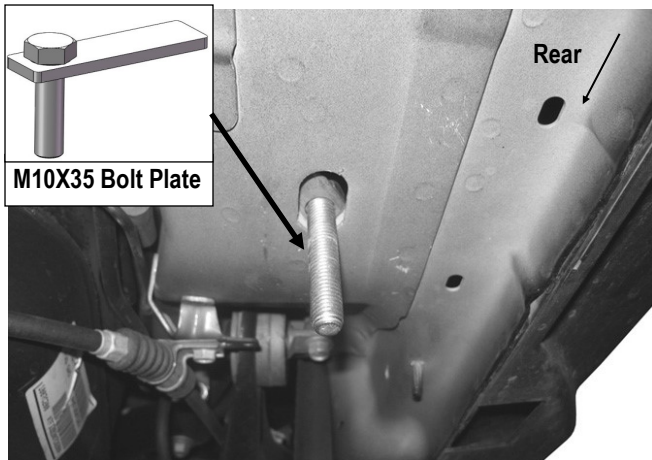
(Fig 6) Driver Front Support Bracket Assembly

## STEP 4

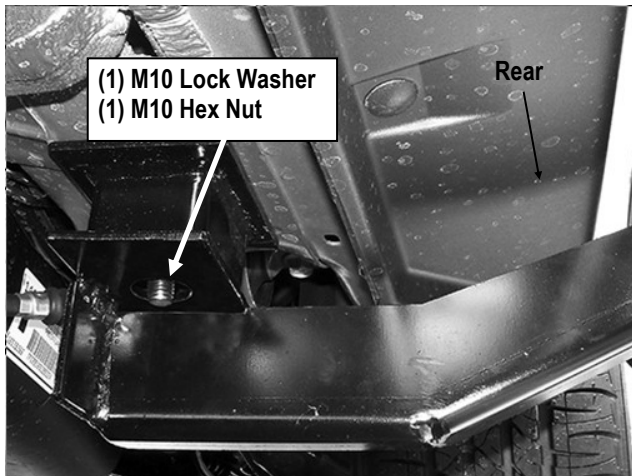
Move to driver side rear mounting location. Locate the large oval slot in the floor panel. Insert (1) M10x35 Bolt Plate into the slot, (**Fig 7**). **NOTE:** Rotate the Bolt Plate so that the plate is across, not inline with the oval hole.

Attach the Driver Rear Mounting Bracket (**DRB**) to the M10x35 Bolt Plate with (1) M10 Lock Washer and (1) M10 Hex Nut, (**Fig 8**). **NOTE:** A deep socket is required to tighten the Hex Nut up into the Bracket. Do not fully tighten hardware at this time.

# iBoard®



(Fig 7) Insert (1) M10x35 Bolt Plate Into The Slot



(Fig 8) Driver Rear Mounting Bracket Installation

## STEP 5

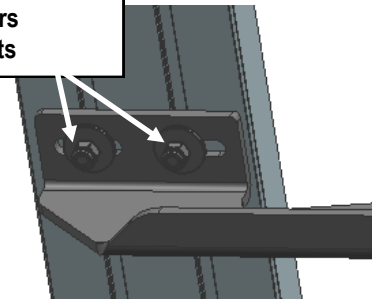
Select a Running Board. Slip (2) M6X1-20mm Square Head Bolts into each bottom channel (Fig 9). Carefully position the Running Board onto the (2) Mounting Brackets.

**IMPORTANT:** Do not slide the Running Board on the Brackets or the bottom surface of the board will be damaged. Attach the Running Board to each Mounting Bracket with (2) M6x1-20mm Square Head Bolts, (2) M6 Large Flat Washers and (2) M6 X1 Nylon Lock Nuts (Fig 10). Do not fully tighten at this time.



(Fig 9) Slip M6X1-20mm Square Head Bolts Into The Bottom Channels

- (2) M6X1-20mm Square Head Bolts
- (2) M6 Large Flat Washers
- (2) M6X1 Nylon Lock Nuts



(Fig 10) Running Board Installed Onto the Mounting Bracket

## STEP 6

With the Running board Bracket hardware loose, pull the Brackets outward away from the vehicle for proper clearance.

## STEP 7

Line up the Driver Front Support Bracket (DFS) with the back of the pinch weld, (Fig 11). Push the Support Bracket up as high as possible to where the pinch weld meets the floor panel. Do not fully tighten hardware.

Check the Running Board for level. Once properly aligned and adjusted, tighten all hardware. **IMPORTANT:** If the Support Bracket is too low and close to the edge of the pinch weld, loosen the Support Bracket and front Bracket hardware. Push the Bracket and Support Bracket up a little into position against the floor panel and away from the edge of the pinch weld, (Fig 11). Level and adjust the Running Board properly and tighten all hardware.



# iBoard®

## STEP 8

Use the hole in the Support Bracket as a guide to mark the drilling location on the back of the pinch weld, (**Fig 11**). Once you have marked the location, temporarily remove the Sidebar, the front Mounting Bracket and Support Bracket. Remove the plastic clips securing the plastic rocker cover to the rocker panel.

Use a 5/16" drill bit and carefully drill the marked location. **NOTE:** The plastic rocker panel cover may need to be trimmed to clear the hex bolt for the Support Bracket. **IMPORTANT:** Any cutting or drilling tool may break or shatter. Government regulations require safety glasses & equipment at all times when cutting or drilling.

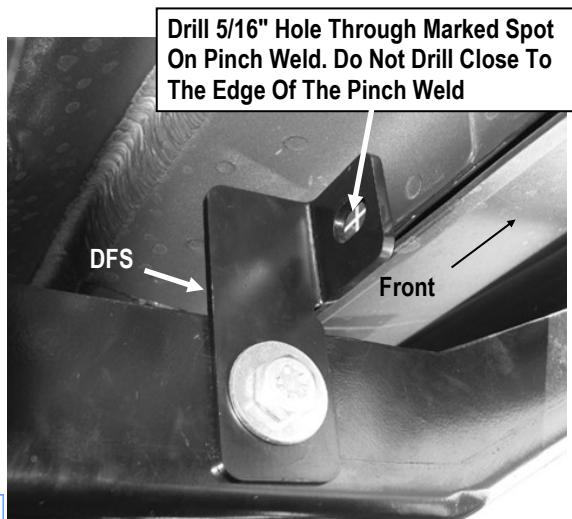
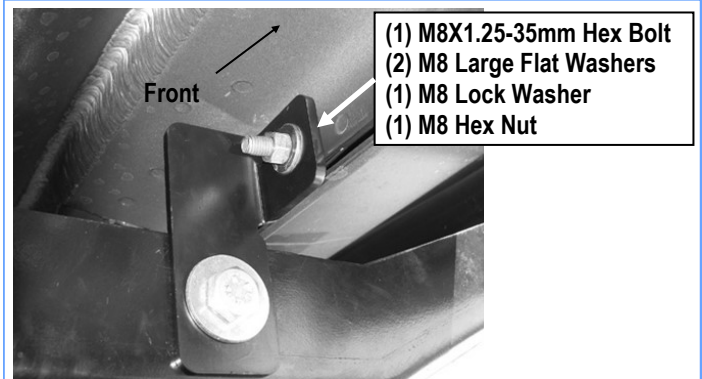


Fig 11

## STEP 9

Re-install the driver side front Mounting Bracket and Support Bracket. Attach the Support Bracket to the pinch weld with (1) M8X1.25-35mm Hex Bolt, (2) M8 Large Flat Washers, (1) M8 Lock Washer and (1) M8 Hex Nut, (**Fig 12**). **NOTE:** Insert the M8 Hex Bolt with (1) M8 Large Flat Washer through the pinch weld first, then through the Bracket.

Cut the rocker panel cover as required and reinstall the cover with the factory plastic clips. Reinstall the Running Board.



(Fig 12) Driver Front Support Bracket Installation

## STEP 10

Level and adjust the Running Board and fully tighten all hardware.

## STEP 11

Repeat **Steps 1-10** for other side Running Board installation. The installation is completed (**Fig 13**).



(Fig 13) Installation Completed

### Attention

Do periodic inspections to the installation to make sure that all hardware is secure and tight. In order to protect your bars/boards, please use only mild soap/non-abrasive products for cleaning.