



## iBoard® by APS

PART#: IB-116C&H

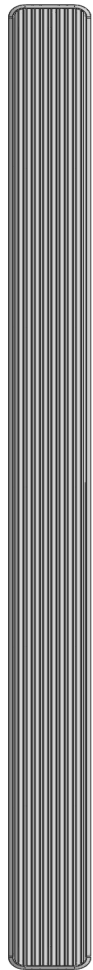
READ INSTRUCTIONS CAREFULLY BEFORE STARTING INSTALLATION. REMOVE CONTENTS FROM BOX AND VERIFY ALL PARTS ARE PRESENT. ASSISTANCE IS RECOMMENDED.

\*ROCKER PANEL MOUNT  
\*NO DRILLING REQUIRED

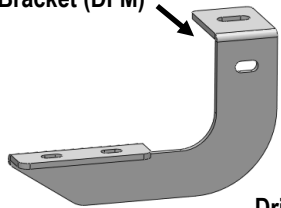
Fastener Size	Tightening Torque (ft-lbs)	Required
6mm	6-7	√
8mm	16-18	√
10mm	31-32	X
12mm	56-58	X
14mm	92-94	X

### PART LIST

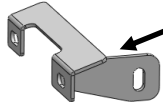
#### Driver Side Step Bar



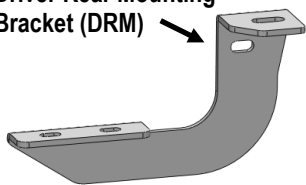
Driver Front Mounting Bracket (DFM)



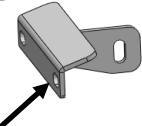
Driver Front Support Bracket (DFS)



Driver Rear Mounting Bracket (DRM)



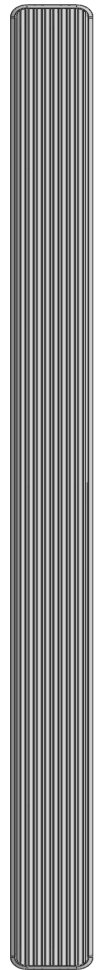
Driver Rear Support Bracket (DRS)



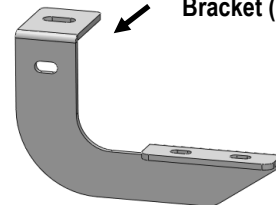
Front



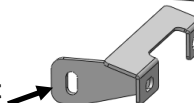
#### Passenger Side Step Bar



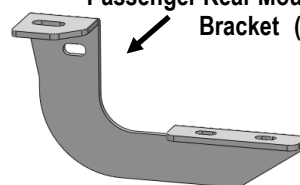
Passenger Front Mounting Bracket (PFM)



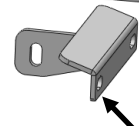
Passenger Front Support Bracket (PFS)



Passenger Rear Mounting Bracket (PRM)



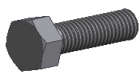
Passenger Rear Support Bracket (PRS)





## Hardware Package A (For Bracket Installation)

Item	QTY	Description	Item	QTY	Description
1#	8	M8X1.25-35mm Hex Bolts	5#	8	M6X1-25mm Hex Bolts
2#	12	M8 Large Flat Washers	6#	16	M6 Large Flat Washers
3#	4	M8 Lock Washers	7#	8	M6X1 Nylon Lock Nuts
4#	4	M8X1.25 Nylon Lock Nuts			



1#



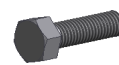
2#



3#



4#



5#



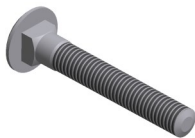
6#



7#

## Hardware Package B (For Stainless Steel Step Bar Installation)

Item	QTY	Description	Item	QTY	Description
1#	8	M8X1.25-35mm Carriage Bolts	3#	8	M8 Nylon Lock Nuts
2#	8	M8 Large Flat Washers	4#	4	Sliders (Packed with Step Bars)



1 #



2 #



3 #

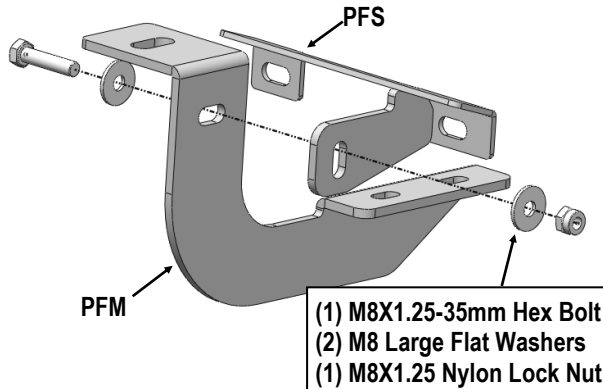


4 #



## STEP 1

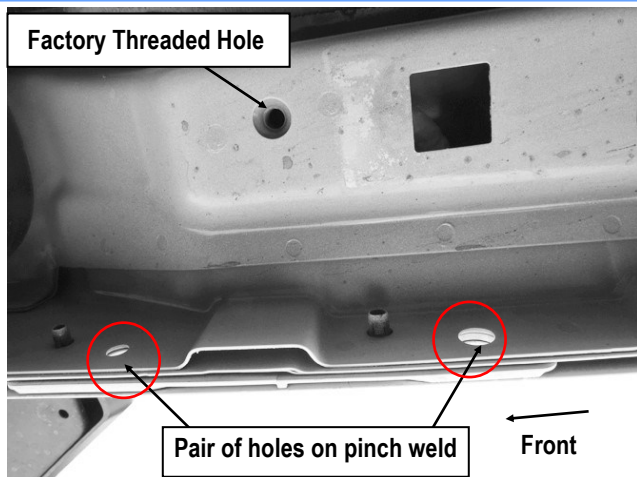
Start installation from the passenger side front of the vehicle. Assemble the Passenger Front Mounting Bracket (PFM) and Passenger Front Support Bracket (PFS) as shown, (Fig 1). Do not fully tighten hardware at this time.



(Fig 1) Passenger Front Mounting Bracket Assembly

## STEP 2

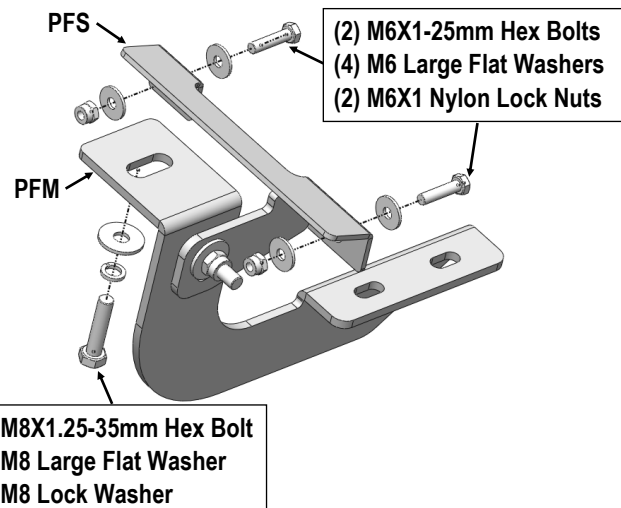
Locate the Passenger Side Front Mounting position on vehicle, there are (2) holes on the pinch weld and (1) threaded hole on the bottom floor, (Fig 2).



(Fig 2) Passenger Side Front Mounting Location

## STEP 3

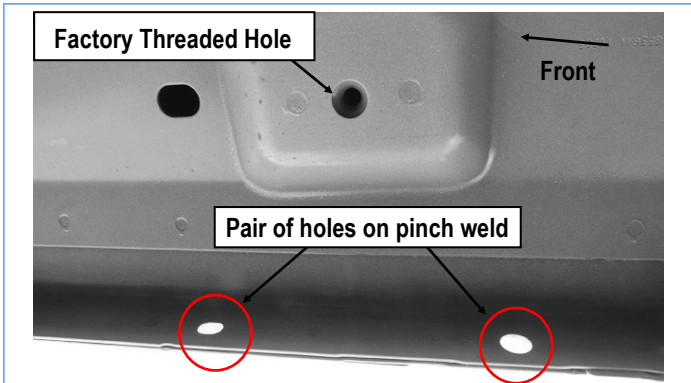
Attach the Assembled Passenger Front Mounting Bracket on the mounting position. Install the Passenger Front Mounting Bracket (PFM) on the factory threaded hole with (1) M8X1.25-35mm Hex Bolt, (1) M8 Large Flat Washer and (1) M8 Lock Washer. Install Passenger Front Support Bracket (PFS) on the pinch weld with (2) M6X1-25mm Hex Bolts, (4) M6 Large Flat Washers, and (2) M6X1 Nylon Lock Nuts, (Fig 3). Do not fully tighten hardware at this time.



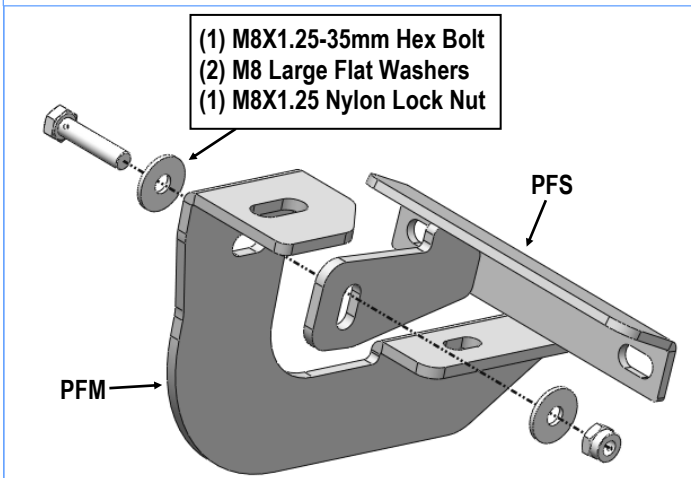
(Fig 3) Passenger Front Mounting Bracket Installation

## STEP 4

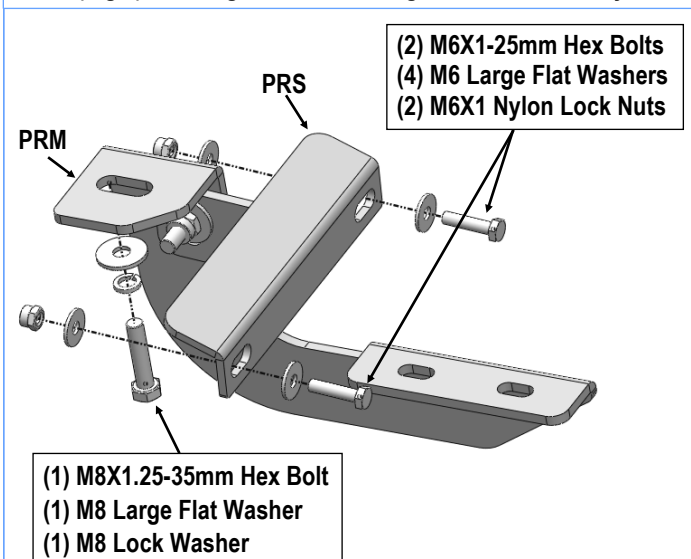
Move to the rear of the vehicle, (Fig 4). Repeat Steps 1-3 to assemble and install the Passenger Rear Mounting Bracket (PRM) and Passenger Rear Support Bracket (PRS), (Figs 5 & 6). Do not fully tighten hardware at this time.



(Fig 4) Passenger Side Rear Mounting Location



(Fig 5) Passenger Rear Mounting Brackets Assembly



(Fig 6) Passenger Rear Mounting Bracket Installation

## STEP 5

Once all (2) Passenger side mounting brackets are installed, then proceed to the Step Bar installation. (Figs 7 & 8)

- (1) Select (1) Slider and (2) M8X1.25-35mm Carriage Bolts;
- (2) Install (2) M8X1.25-35mm Carriage Bolts in (1) Slider.
- (3) Slide the Slider (with carriage bolts) to the **Step Bar**.
- (4) Repeat to install the other (1) slider to the step bar.

- (5) Attach the Step Bar (with the Sliders) onto the installed mounting brackets. Position the Sliders to the installed brackets. Secure the Step Bar to the installed Brackets by using (4) M8 Large Flat Washers and (4) M8 Nylon Lock Nuts and (2) Sliders, (Fig 8). Do not fully tighten hardware at this time.

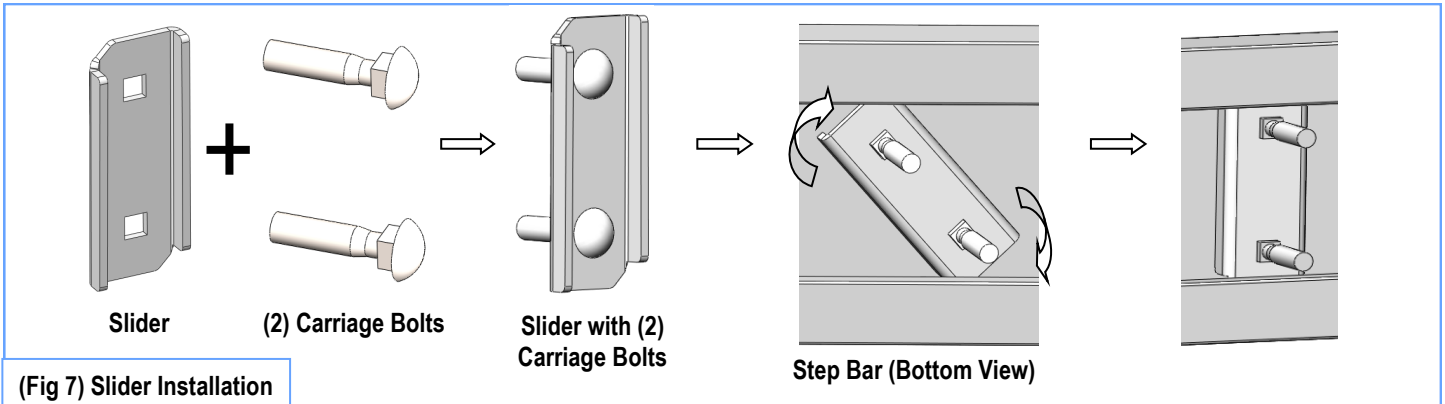
**Note:** The Sliders are packed with the Step Bars.

Level and adjust the Step Bar and fully tighten all hardware. Repeat **Steps 1-5** for the other side Step Bar installation. **The installation is completed!!!**

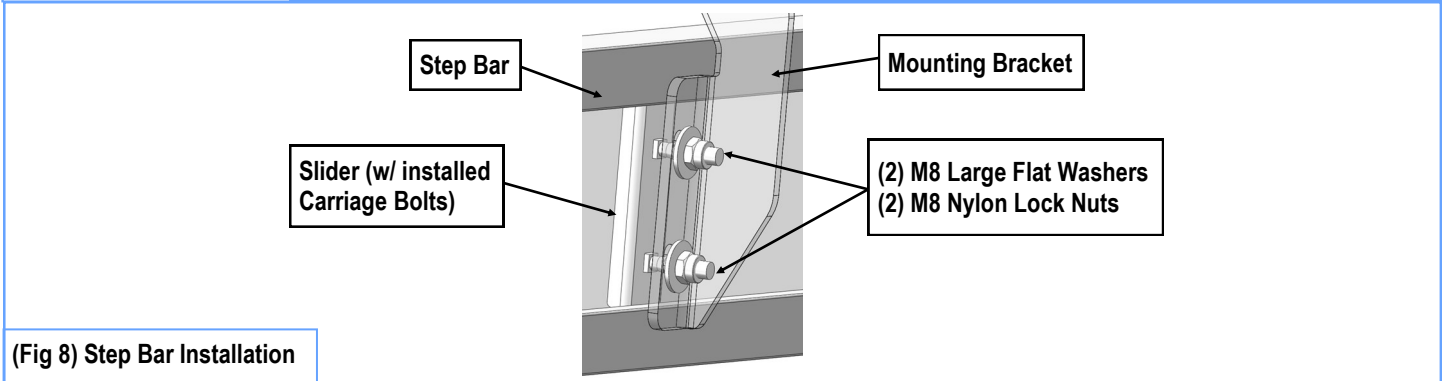
### Attention

Do periodic inspections to the installation to make sure that all hardware is secure and tight.

In order to protect your bars/boards, please use mild soap/non-abrasive products for cleaning only.



(Fig 7) Slider Installation



(Fig 8) Step Bar Installation