

iBoard®

iBoard® by APS

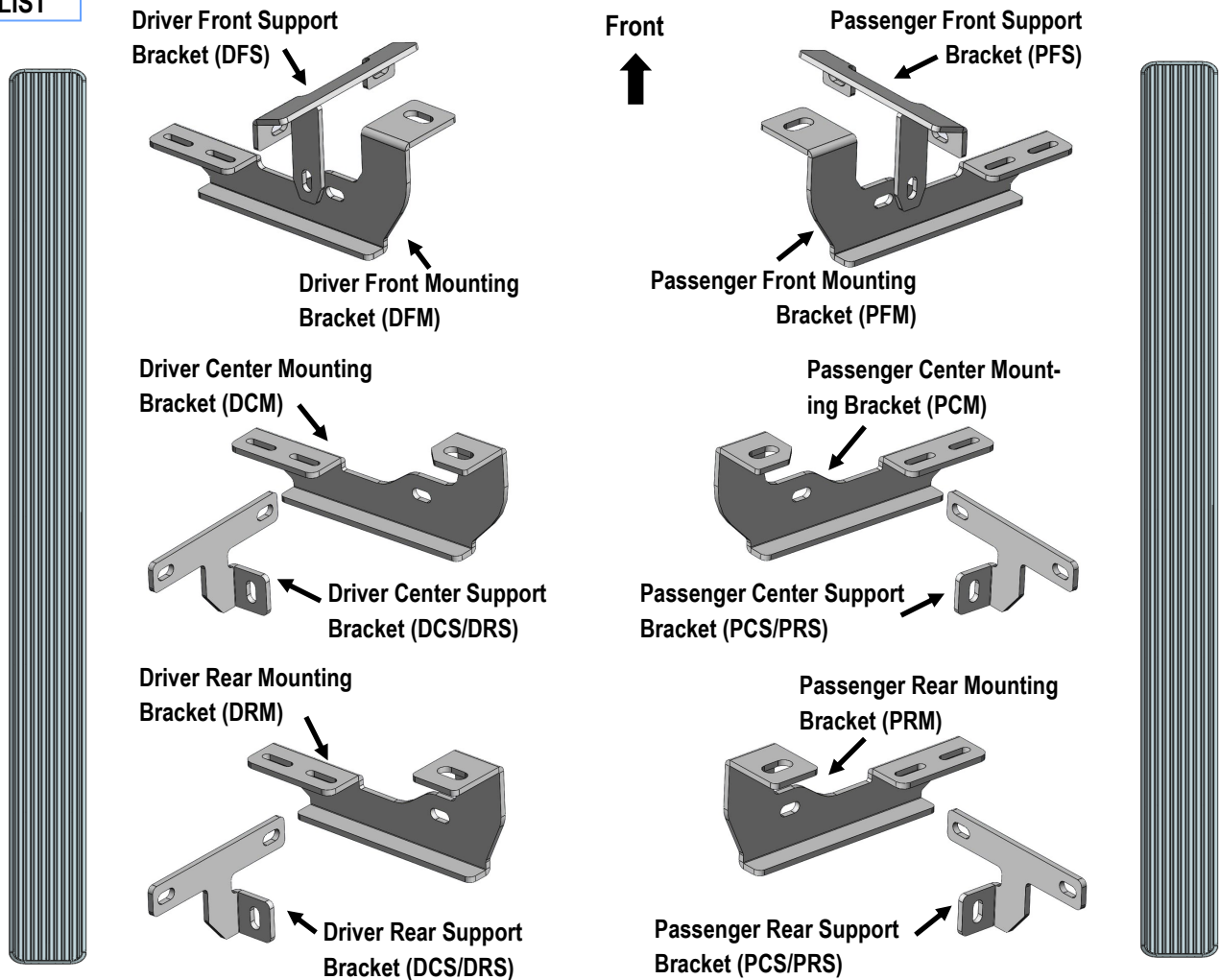
PART#: IB-111A-B

READ INSTRUCTIONS CAREFULLY BEFORE STARTING INSTALLATION. REMOVE CONTENTS FROM BOX AND VERIFY ALL PARTS ARE PRESENT. ASSISTANCE IS RECOMMENDED.

*ROCKER PANEL MOUNT
*NO DRILLING REQUIRED

Fastener Size	Tightening Torque (ft-lbs)
6mm	6-7
8mm	16-18
10mm	31-32
12mm	56-58
14mm	92-94

PART LIST



Customer Support: info@iboardauto.com

iBoard®



X12

M8X1.25-35mm Hex Bolt



X18

M8 Flat Washer



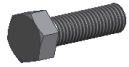
X6

M8 Lock Washer



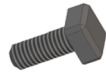
X6

M8X1.25 Nylon Lock Nut



X12

M6X1-25mm Hex Bolt



X12

M6X1-20mm Square Head Bolt



X36

M6 Large Flat Washer

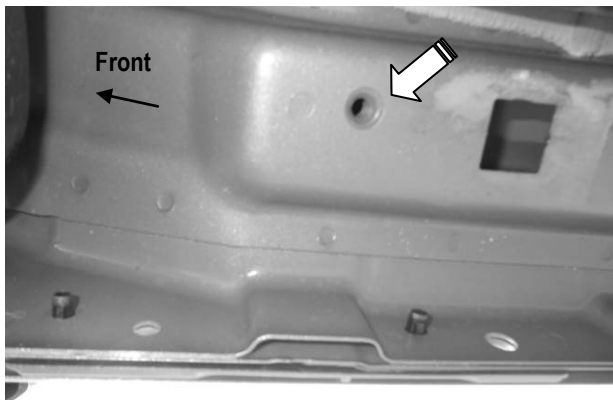


X24

M6X1 Nylon Lock Nut

STEP 1

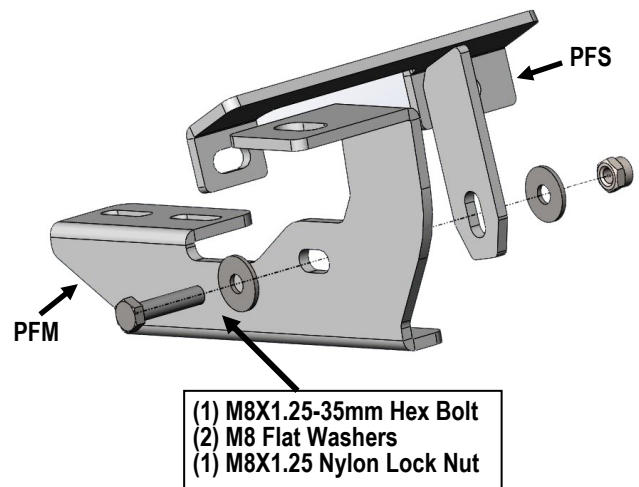
Start installation toward the front of the passenger side of the vehicle and find the front threaded insert located between the first pair of holes along the pinch weld, **(Fig 1)**.



(Fig 1) Passenger Side Front Mounting Location Pictured

STEP 2

Assemble Passenger Front Mounting Bracket (**PFM**) and Passenger Front Support Bracket (**PFS**) with (1) M8X1.25-35mm Hex Bolt, (2) M8 Flat Washers and (1) M8X1.25 Nylon Lock Nut, **(Fig 2)**. Do not fully tighten hardware at this time.



(Fig 2) Passenger Front Mounting Bracket Assembly

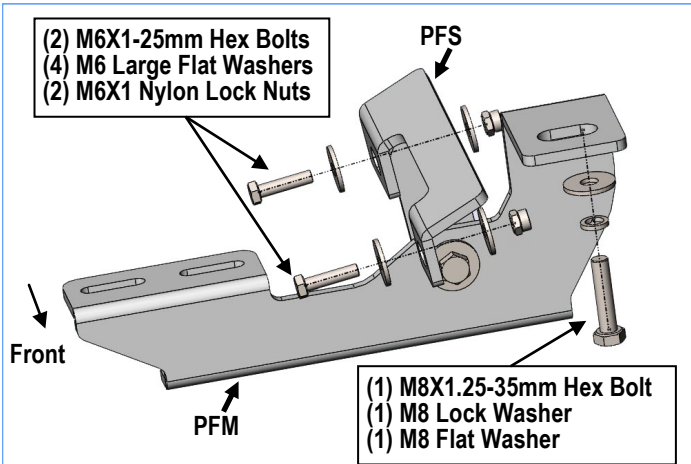
STEP 3

Attach Passenger Front Mounting Bracket (**PFM**) to the threaded insert using (1) M8X1.25-35mm Hex Bolt, (1) M8 Lock Washer and (1) M8 Flat Washer, **(Fig 3)**.

Next, Attach Passenger Front Support Bracket (**PFS**) to the **back** of the pinch weld using (2) M6X1-25mm Hex Bolts, (4) M6 Large Flat Washers and (2) M6X1 Nylon Lock Nuts, **(Fig 3)**. Don't fully tighten the hardware at this time.

NOTE: Insert bolts from the outside of the pinch weld and through the Bracket.

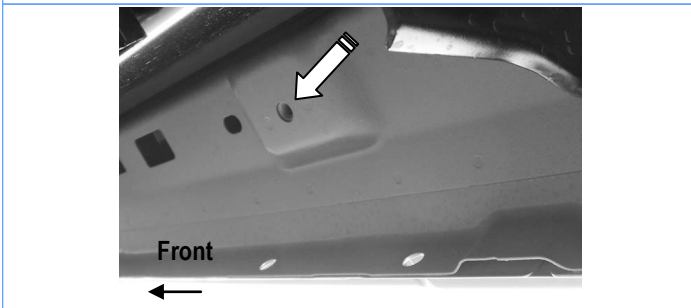
iBoard®



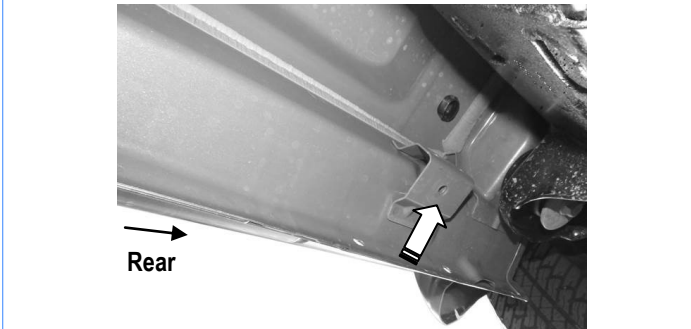
(Fig 3) Passenger Side Front Brackets Installation

STEP 4

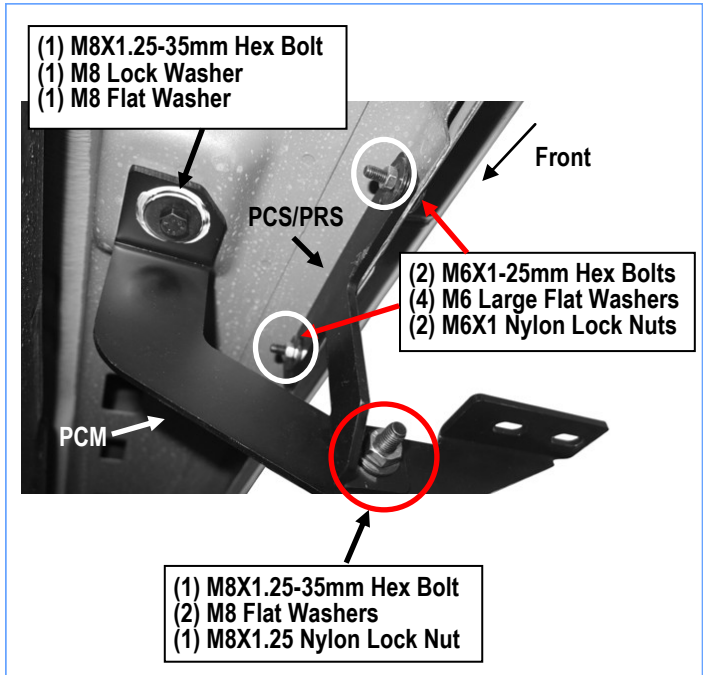
Move to Passenger Side Center & Rear Mounting Locations, (Figs 4 & 5). Repeat steps 1-3 to install Passenger Center and Rear Brackets (Fig 6 & 7). Don't fully tighten the hardware at this time.



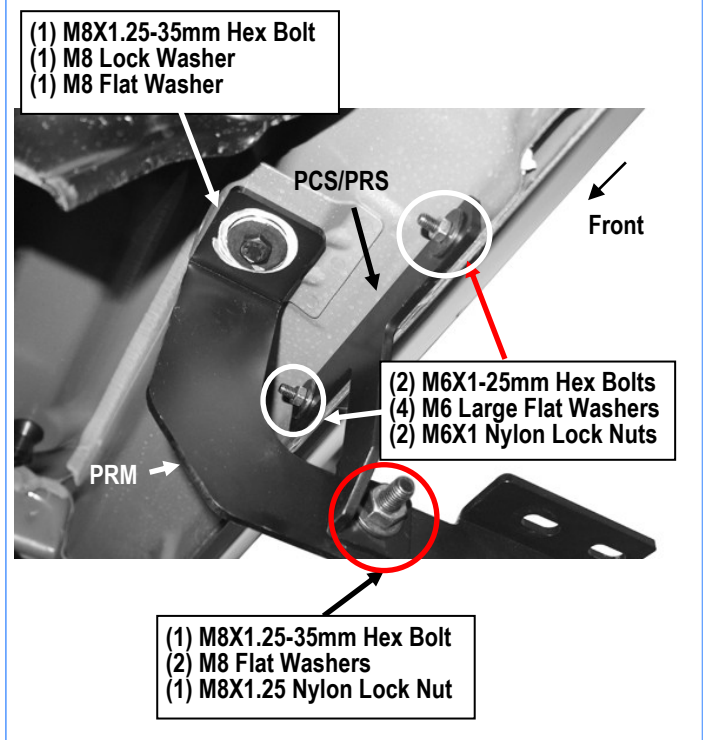
(Fig 4) Passenger Side Center Mounting Location



(Fig 5) Passenger Side Rear Mounting Location



(Fig 6) Passenger Side Center Brackets Installation



(Fig 7) Passenger Side Rear Brackets Installation

iBoard®

STEP 5

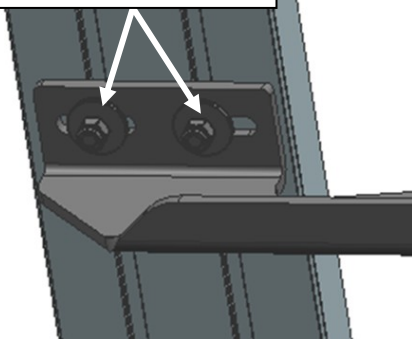
Select a Running Board. Slip (3) M6x1-20mm Square Head Bolts into each bottom channel (**Fig 8**). Carefully position the Running Board onto the (3) Mounting Brackets.

IMPORTANT: Do not slide the Running Board on the Brackets or the bottom surface of the board will be damaged. Attach the Running Board to each Mounting Brackets with (2) M6x1-20mm Square Head Bolts, (2) M6 Large Flat Washers and (2) M6 X1 Nylon Lock Nuts (**Fig 9**). Do not tighten at this time.



(Fig 8) Slip (3) M6X1-20mm Square Head Bolts Into Each Bottom Channel

(2) M6X1-20mm Square Head Bolts
(2) M6 Large Flat Washers
(2) M6X1 Nylon Lock Nuts



(Fig 9) Running Board Installed Onto Mounting Bracket

STEP 6

Level and adjust the Running Board and fully tighten all hardware.

STEP 7

Repeat **Steps 1-6** for the other side Running Board installation. The installation is completed (**Fig 10**).



(Fig 10) Installation Completed

Attention

Do periodic inspections to the installation to make sure that all hardware is secure and tight.

In order to protect your bars/boards, please use only mild soap/non-abrasive products for cleaning.