

# iBoard®



Scan for  
Installation Video

## iBoard® by APS

PART#: IB-084C&H

READ INSTRUCTIONS CAREFULLY BEFORE STARTING INSTALLATION. REMOVE CONTENTS FROM BOX AND VERIFY ALL PARTS ARE PRESENT. ASSISTANCE IS RECOMMENDED.

\*BODY FRAME MOUNT  
\*NO DRILLING REQUIRED

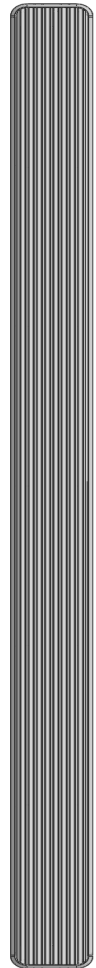
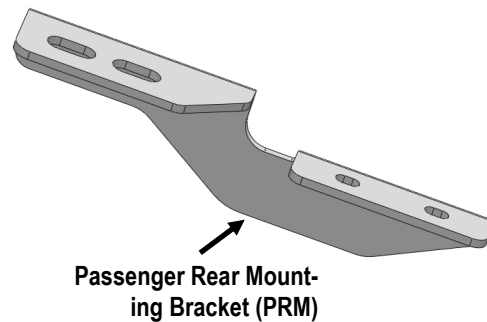
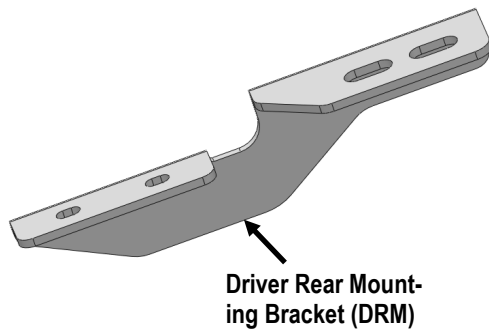
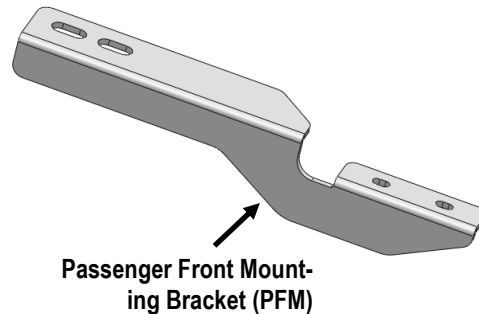
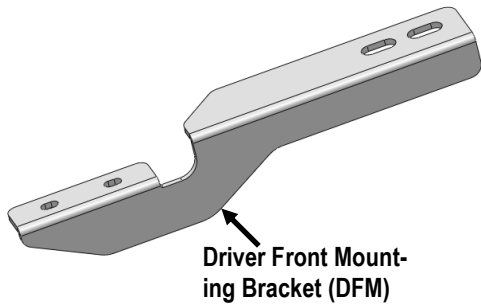
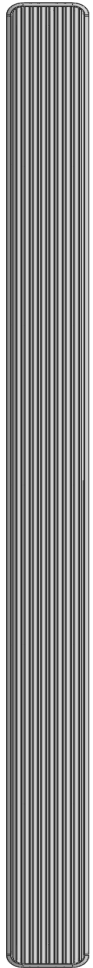
Fastener Size	Tightening Torque (ft-lbs)	Required
6mm	6-7	X
8mm	16-18	√
10mm	31-32	X
12mm	56-58	√
14mm	92-94	X

### PART LIST

Driver Side Step Bar

Front

Passenger Side Step Bar



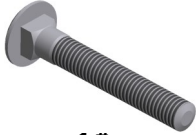
Customer Support: [info@iboardauto.com](mailto:info@iboardauto.com)



Scan for  
Installation Video

## Hardware Package (For Stainless Steel Step Bar Installation)

Item	QTY	Description	Item	QTY	Description
1#	8	M8X1.25-35mm Carriage Bolts	3#	8	M8 Nylon Lock Nuts
2#	8	M8 Large Flat Washers	4#	4	Sliders (Packed with Step Bars)



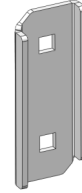
1 #



2 #



3 #



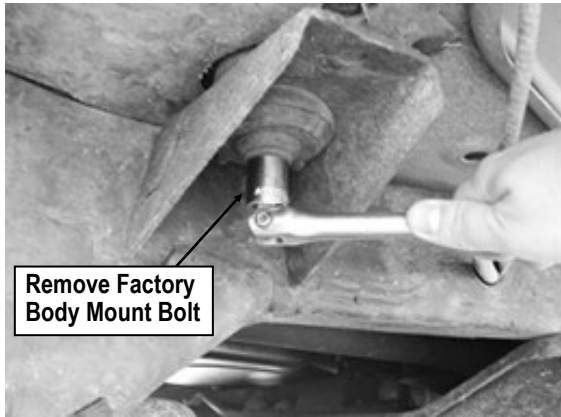
4 #



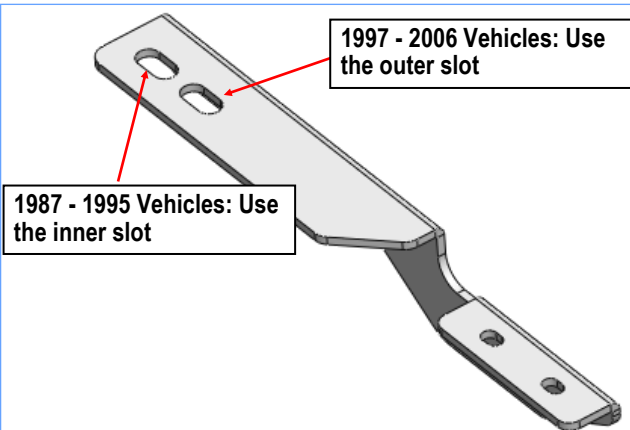
## STEP 1

Start installation toward the front of the driver side of the vehicle. Remove the factory body mount bolt (**Fig 1**). Select (1) Mounting Bracket. Insert the factory body mount bolt through the appropriate slot, the rubber bushing and back into the vehicle. **NOTE:** Do not remove the rubber bushing. The Mounting Bracket will install over the rubber bushing. **IMPORTANT:** The Brackets are equipped with (2) mounting slots. Determine correct model/year for proper installation (**Fig 2**):

- a. **1987 - 1995 Vehicles:** Use the inner slot. Do not fully tighten hardware at this time.
- b. **1997 - 2006 Vehicles:** Use the outer slot closer to the bend in the Bracket. Do not fully tighten hardware at this time.



(Fig 1) Driver Side Front Mounting Location



(Fig 2) Driver Front Mounting Bracket

## STEP 2

Repeat **Step 1** to install the driver side rear brackets.

## STEP 3

Once all (2) Driver side mounting brackets are installed, then proceed to the Step Bar installation. (**Figs 3 & 4**)

- (1) Select (1) Slider and (2) M8X1.25-35mm Carriage Bolts;
- (2) Install (2) M8X1.25-35mm Carriage Bolts in (1) Slider.
- (3) Slide the Slider (with carriage bolts) to the **Step Bar**.
- (4) Repeat to install the other (1) slider to the step bar.
- (5) Attach the Step Bar (with the Sliders) onto the installed mounting brackets. Position the Sliders to the installed brackets. Secure the Step Bar to the installed Brackets by using (4) M8 Large Flat Washers and (4) M8 Nylon Lock Nuts and (2) Sliders, (**Fig 4**). Do not fully tighten hardware at this time.

**Note:** The Sliders are packed with the Step Bars.

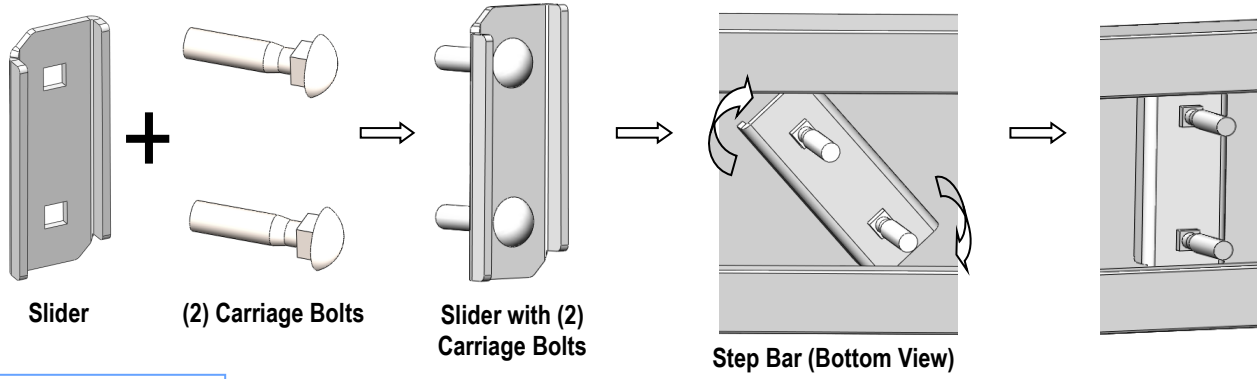
Level and adjust the Step Bar and fully tighten all hardware.

Repeat **Steps 1-3** for the other side Step Bar installation. **The installation is completed!!!**

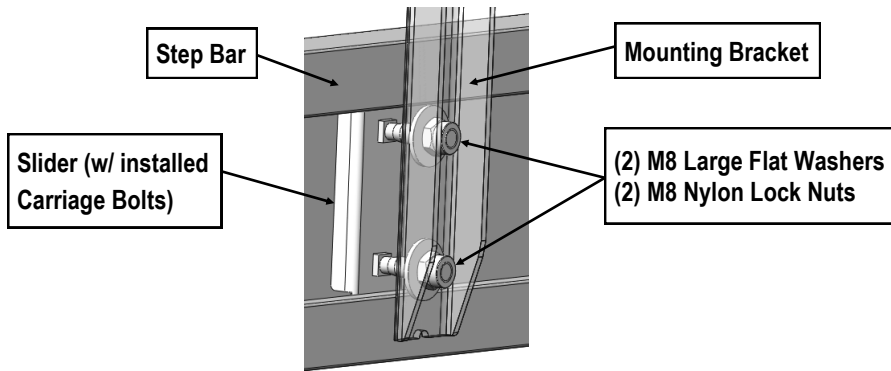
### Attention

Do periodic inspections to the installation to make sure that all hardware is secure and tight.

In order to protect your bars/boards, please use mild soap/non-abrasive products for cleaning only.



(Fig 3) Slider Installation



(Fig 4) Step Bar Installation