

iBoard®



Scan for
Installation Video

iBoard® by APS

PART#: IB-115C&H

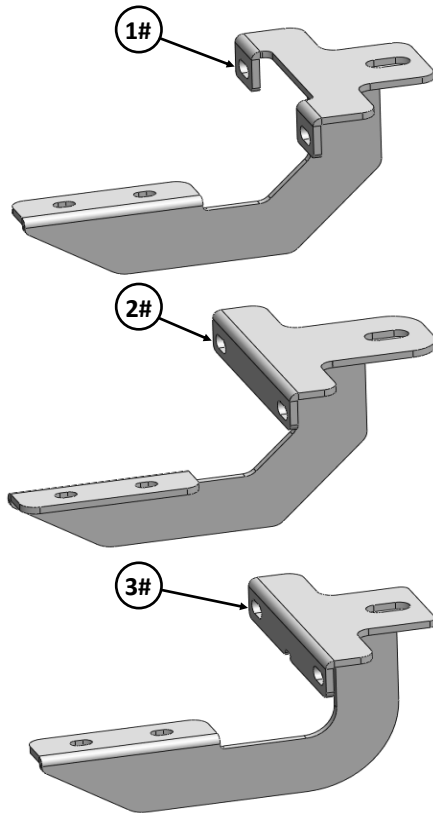
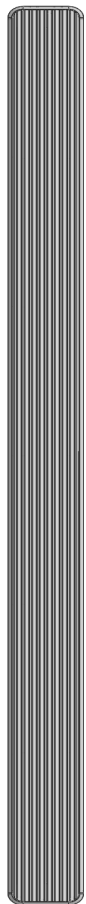
READ INSTRUCTIONS CAREFULLY BEFORE STARTING INSTALLATION. REMOVE CONTENTS FROM BOX AND VERIFY ALL PARTS ARE PRESENT. ASSISTANCE IS RECOMMENDED.

*ROCKER PANEL MOUNT
*NO DRILLING REQUIRED

Fastener Size	Tightening Torque (ft-lbs)	Required
6mm	6-7	√
8mm	16-18	√
10mm	31-32	X
12mm	56-58	X
14mm	92-94	X

PART LIST

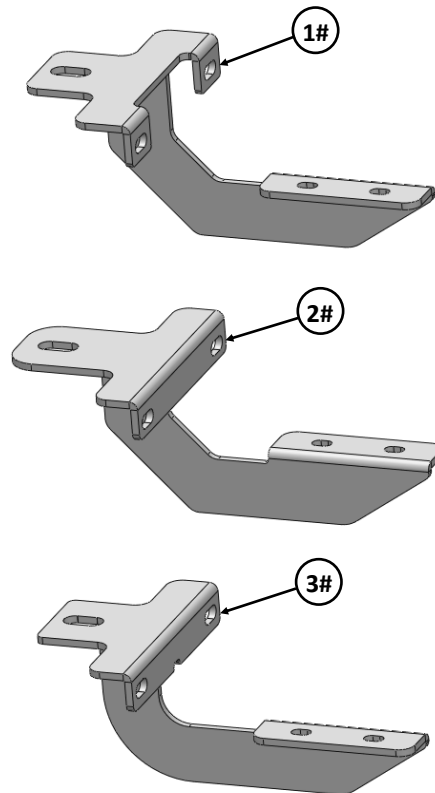
Driver Side Step Bar



Front



Passenger Side Step Bar





Customer Support: info@iboardauto.com





Mounting Bracket List					
Item	QTY	Description	Item	QTY	Description
1#	2	Driver/Passenger Front Mounting Brackets	3#	2	Driver/Passenger Rear Mounting Brackets
2#	2	Driver/Passenger Center Mounting Brackets			


Hardware Package A (For Bracket Installation)					
Item	QTY	Description	Item	QTY	Description
1#	6	M8X1.25-35mm Hex Bolts	4#	12	M6X1-25mm Hex Bolts
2#	6	M8 Large Flat Washers	5#	24	M6 Large Flat Washers
3#	6	M8 Lock Washers	6#	12	M6X1 Nylon Lock Nuts


 1 #

 2 #

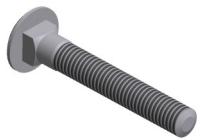
 3 #


 4 #


 5 #

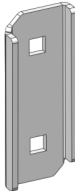
 6 #

Hardware Package B (For Stainless Steel Step Bar Installation)					
Item	QTY	Description	Item	QTY	Description
1#	12	M8X1.25-35mm Carriage Bolts	3#	12	M8 Nylon Lock Nuts
2#	12	M8 Large Flat Washers	4#	6	Sliders (Packed with Step Bars)

 1 #

 2 #

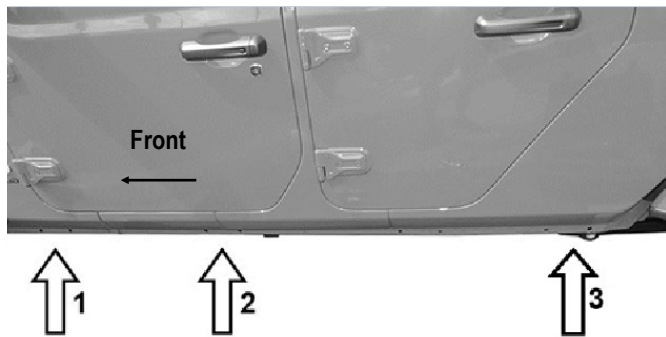
 3 #

 4 #



STEP 1

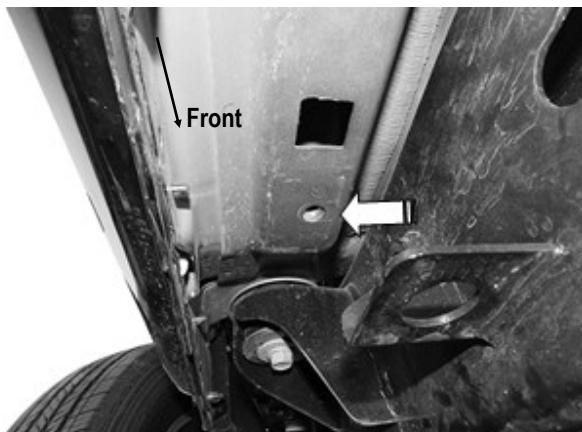
Start the installation under the driver side of the vehicle. Locate (3) mounting points on the vehicle, (**Fig 1**). Find the threaded insert located in between the first pair of holes along the pinch weld, (**Fig 2**).



(Fig 1) Driver Side (3) Mounting Locations

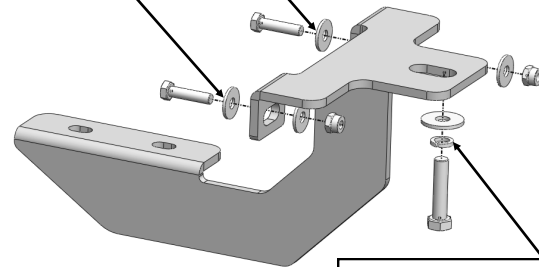
STEP 2

Start from the driver side front of the vehicle, (**Fig 2**). Attach the Driver Front Mounting Bracket to the vehicle with: (1) M8X1.25-35mm Hex Bolt, (1) M8 Lock Washer, (1) M8 Large Flat Washer, (2) M6 Nylon Lock Nuts, (4) M6 Large Flat Washers and (2) M6X1-25mm Hex Bolts, (**Fig 3**). Do not fully tighten hardware at this time.



(Fig 2) Driver Side Front Mounting Location

(2) M6X1-25mm Hex Bolts
(4) M6 Large Flat Washers
(2) M6X1 Nylon Lock Nuts



(1) M8X1.25-35mm Hex Bolt
(1) M8 Large Flat Washer
(1) M8 Lock Washer

(Fig 3) Driver Front Mounting Bracket Installation

STEP 3

Repeat **STEP 2** to install Driver Center & Rear Mounting Brackets. Do not fully tighten hardware at this time.

STEP 4

Once all (3) Driver side mounting brackets are installed, then proceed to the Step Bar installation. (**Figs 4 & 5**)

- (1) Select (1) Slider and (2) M8X1.25-35mm Carriage Bolts;
- (2) Install (2) M8X1.25-35mm Carriage Bolts in (1) Slider.
- (3) Slide the Slider (with carriage bolts) to the **Step Bar**.
- (4) Repeat to install the other (2) sliders to the step bar.
- (5) Attach the Step Bar (with the Sliders) onto the installed mounting brackets. Position the Sliders to the installed brackets. Secure the Step Bar to the installed Brackets by using (6) M8 Large Flat Washers and (6) M8 Nylon Lock Nuts and (3) Sliders, (**Fig 5**).

Do not fully tighten hardware at this time.

iBoard®



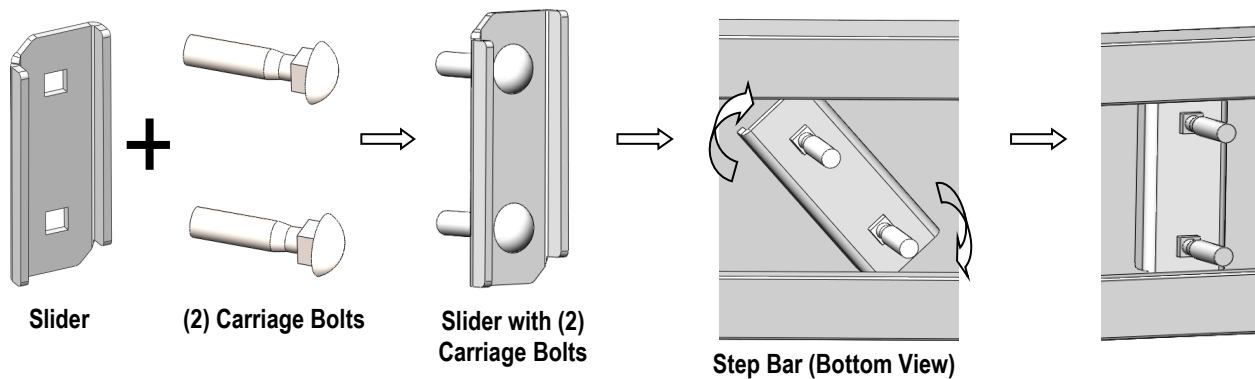
Scan for
Installation Video

Note: The Sliders are packed with the Step Bars.
Level and adjust the Step Bar and fully tighten all hardware.
Repeat **Steps 1-4** for the other side Step Bar installation. **The installation is completed!!!**

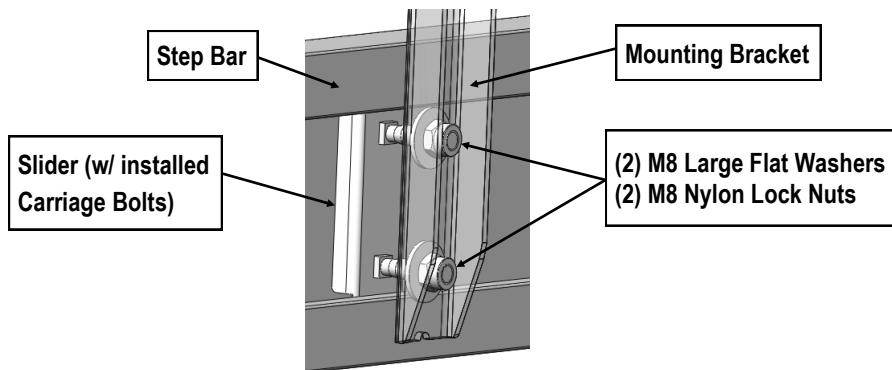
Attention

Do periodic inspections to the installation to make sure that all hardware is secure and tight.

In order to protect your bars/boards, please use mild soap/non-abrasive products for cleaning only.



(Fig 4) Slider Installation



(Fig 5) Step Bar Installation