



iBoard® by APS

PART#: IB-111C&H

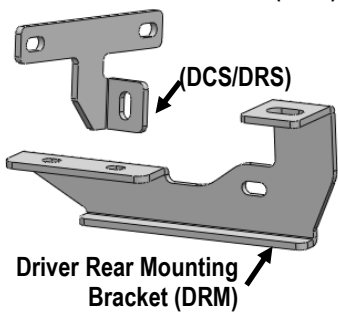
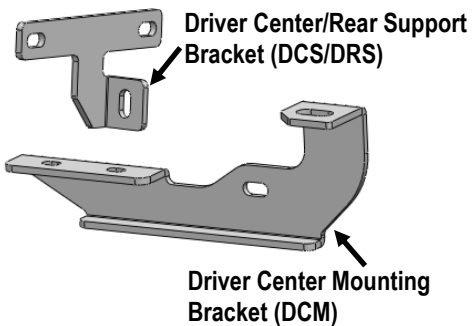
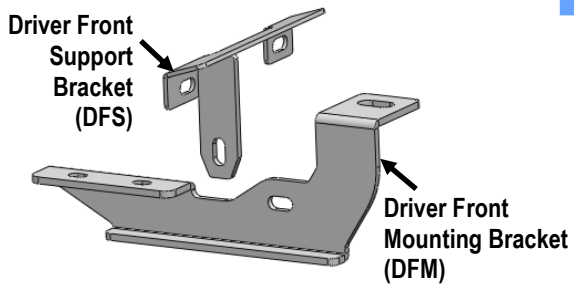
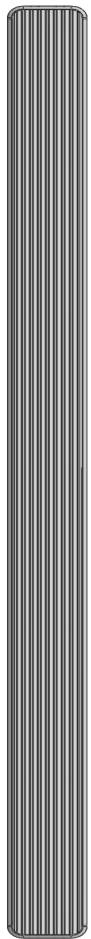
READ INSTRUCTIONS CAREFULLY BEFORE STARTING INSTALLATION. REMOVE CONTENTS FROM BOX AND VERIFY ALL PARTS ARE PRESENT. ASSISTANCE IS RECOMMENDED.

*ROCKER PANEL MOUNT
*NO DRILLING REQUIRED

Fastener Size	Tightening Torque (ft-lbs)	Required
6mm	6-7	√
8mm	16-18	√
10mm	31-32	X
12mm	56-58	X
14mm	92-94	X

PART LIST

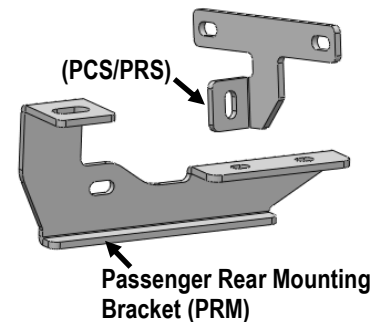
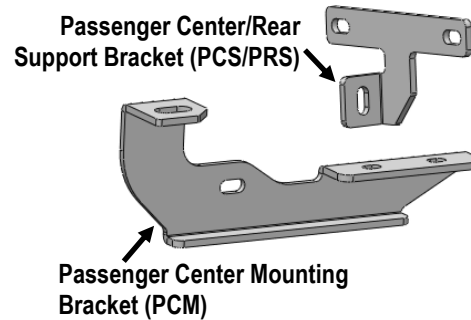
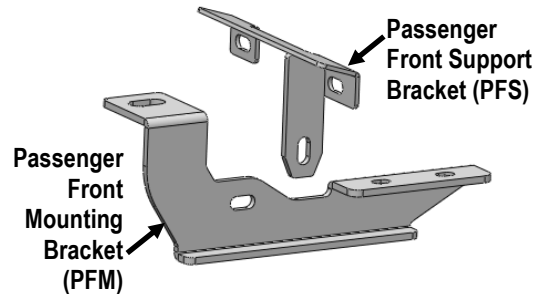
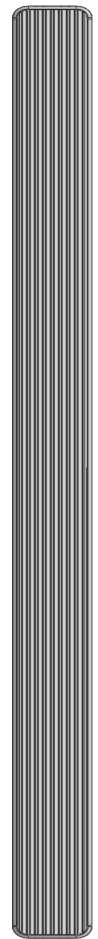
Driver Side Step Bar



Front



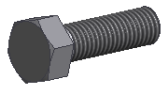
Passenger Side Step Bar





Hardware Package A (For Bracket Installation)

Item	QTY	Description	Item	QTY	Description
1#	12	M8X1.25-35mm Hex Bolts	5#	12	M6X1-25mm Hex Bolts
2#	18	M8 Flat Washers	6#	24	M6 Large Flat Washers
3#	6	M8 Lock Washers	7#	12	M6X1 Nylon Lock Nuts
4#	6	M8X1.25 Nylon Lock Nuts			



1#



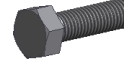
2#



3#



4#



5#



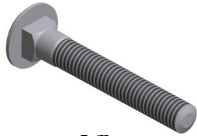
6#



7#

Hardware Package B (For Stainless Steel Step Bar Installation)

Item	QTY	Description	Item	QTY	Description
1#	12	M8X1.25-35mm Carriage Bolts	3#	12	M8 Nylon Lock Nuts
2#	12	M8 Large Flat Washers	4#	6	Sliders (Packed with Step Bars)



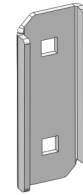
1 #



2 #



3 #



4 #

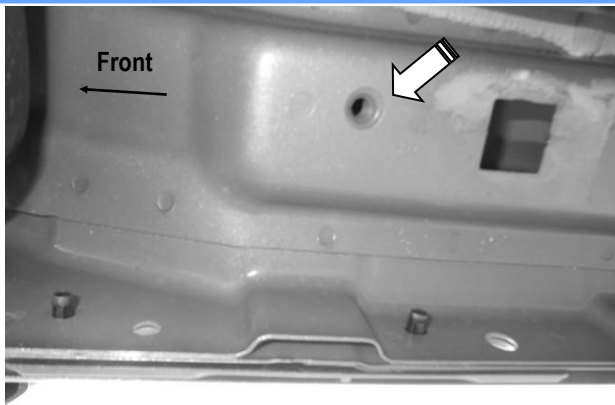


STEP 1

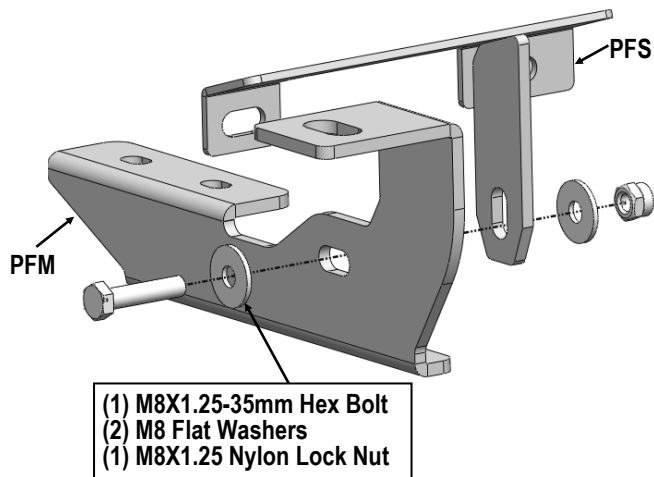
Start installation toward the front of the passenger side of the vehicle and find the front threaded insert located between the first pair of holes along the pinch weld, (Fig 1).

STEP 2

Assemble Passenger Front Mounting Bracket (PFM) and Passenger Front Support Bracket (PFS) with (1) M8X1.25-35mm Hex Bolt, (2) M8 Flat Washers and (1) M8X1.25 Nylon Lock Nut, (Fig 2). Do not fully tighten hardware at this time.



(Fig 1) Passenger Side Front Mounting Location



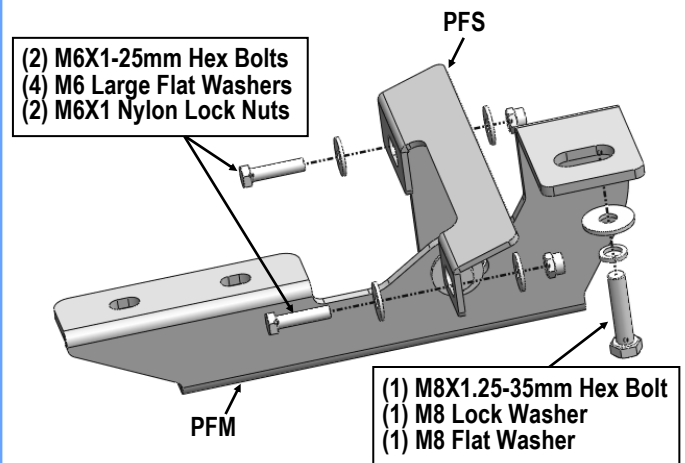
(Fig 2) Passenger Front Mounting Bracket Assembly

STEP 3

Attach Passenger Front Mounting Bracket (PFM) to the threaded insert using (1) M8X1.25-35mm Hex Bolt, (1) M8 Lock Washer and (1) M8 Flat Washer, (Fig 3).

Next, Attach Passenger Front Support Bracket (PFS) to the **back** of the pinch weld using (2) M6X1-25mm Hex Bolts, (4) M6 Large Flat Washers and (2) M6X1 Nylon Lock Nuts, (Fig 3). Don't fully tighten the hardware at this time.

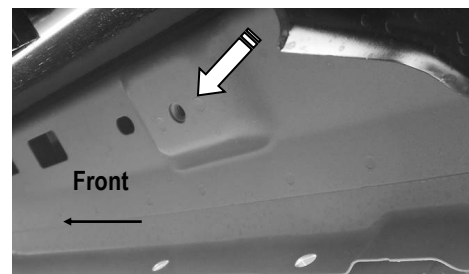
NOTE: Insert bolts from the outside of the pinch weld and through the Bracket.



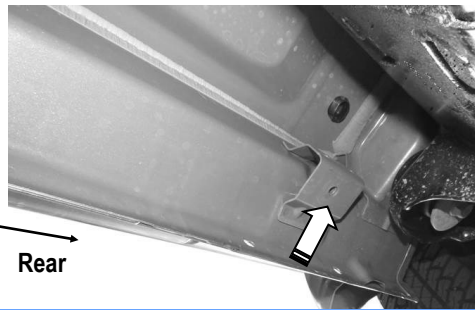
(Fig 3) Passenger Side Front Brackets Installation

STEP 4

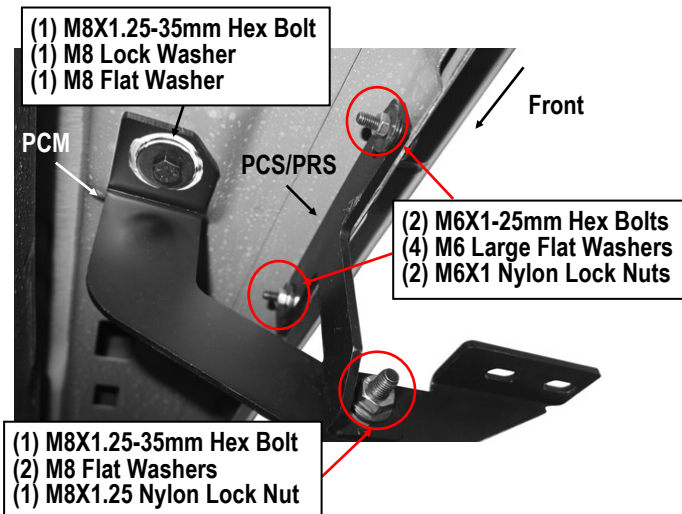
Move to Passenger Side Center & Rear Mounting Locations, (Figs 4 & 5). Repeat steps 1-3 to install Passenger Center and Rear Brackets (Fig 6 & 7). Don't fully tighten the hardware at this time.



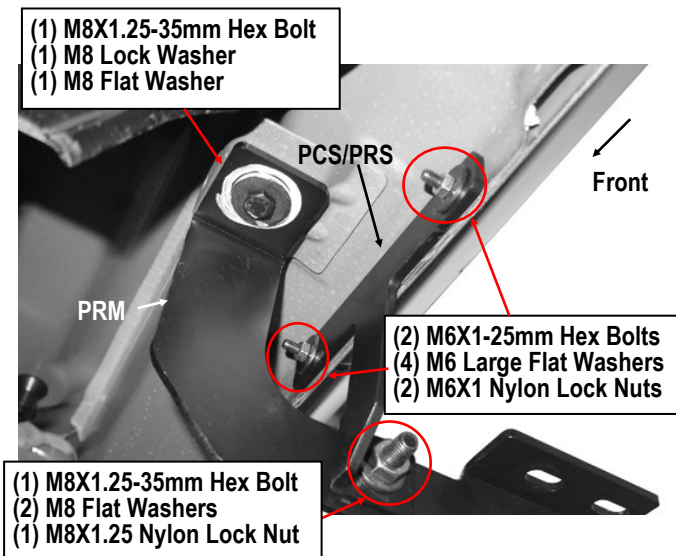
(Fig 4) Passenger Side Center Mounting Location



(Fig 5) Passenger Side Rear Mounting Location



(Fig 6) Passenger Side Center Brackets Installation



(Fig 7) Passenger Side Rear Brackets Installation

STEP 5

Once all (3) Passenger side mounting brackets are installed, then proceed to the Step Bar installation. (Figs 8 & 9)

- (1) Select (1) Slider and (2) M8X1.25-35mm Carriage Bolts;
- (2) Install (2) M8X1.25-35mm Carriage Bolts in (1) Slider.
- (3) Slide the Slider (with carriage bolts) to the **Step Bar**.
- (4) Repeat to install the other (2) sliders to the step bar.
- (5) Attach the Step Bar (with the Sliders) onto the installed mounting brackets. Position the Sliders to the installed brackets. Secure the Step Bar to the installed Brackets by using (6) M8 Large Flat Washers and (6) M8 Nylon Lock Nuts and (3) Sliders, (Fig 9). Do not fully tighten hardware at this time.

Note: The Sliders are packed with the Step Bars.

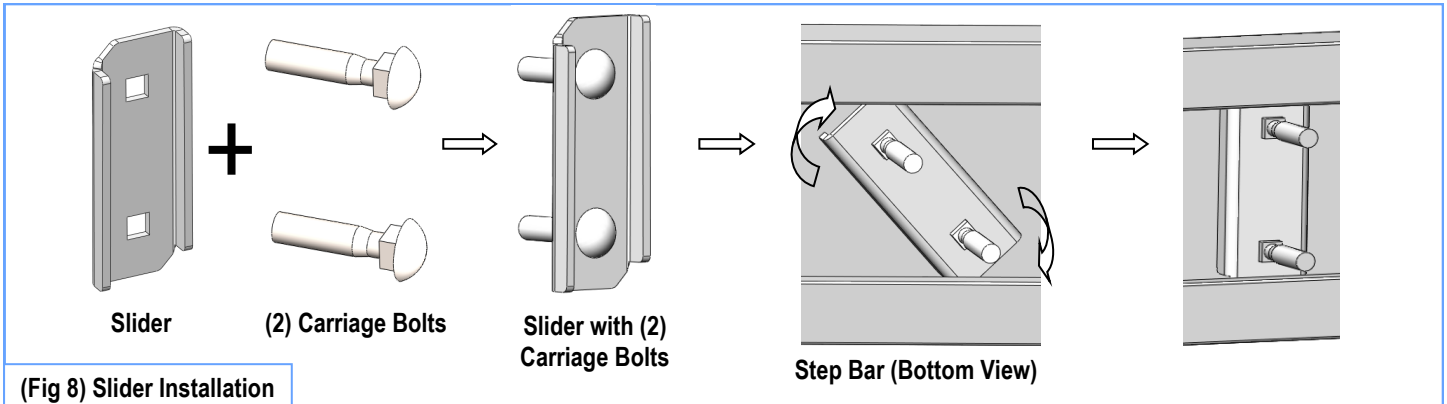
Level and adjust the Step Bar and fully tighten all hardware.

Repeat **Steps 1-5** for the other side Step Bar installation. **The installation is completed!!!**

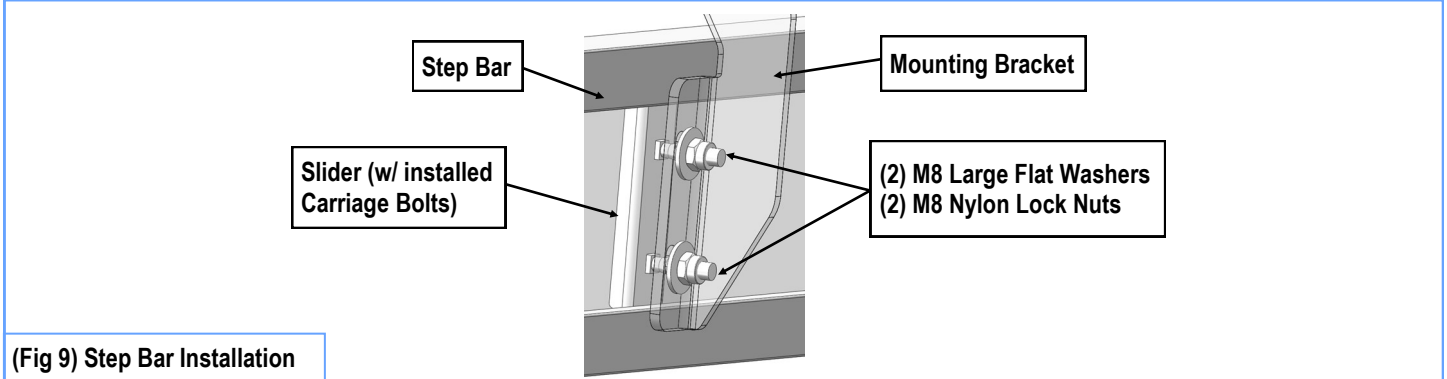
Attention

Do periodic inspections to the installation to make sure that all hardware is secure and tight.

In order to protect your bars/boards, please use mild soap/non-abrasive products for cleaning only.



(Fig 8) Slider Installation



(Fig 9) Step Bar Installation