

iBoard®

iBoard® by APS

PART#: IB-093

READ INSTRUCTIONS CAREFULLY BEFORE STARTING INSTALLATION. REMOVE CONTENTS FROM BOX AND VERIFY ALL PARTS ARE PRESENT. ASSISTANCE IS RECOMMENDED.

*BODY FRAME MOUNT
*NO DRILLING REQUIRED

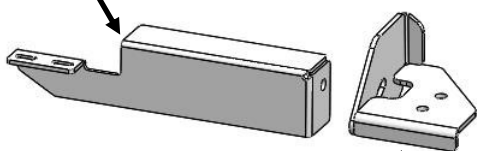
Fastener Size	Tightening Torque (ft-lbs)	Required
6mm	6-7	√
8mm	16-18	X
10mm	31-32	√
12mm	56-58	X
14mm	92-94	X

PART LIST

Front
↑

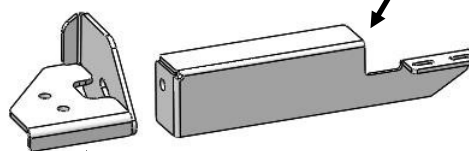


Driver Front Mounting Bracket (DFM)



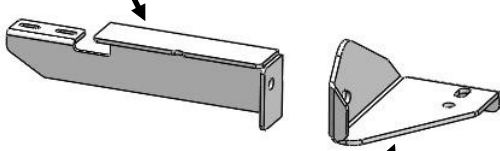
Driver Front Support Bracket (DFS)

Passenger Front Mounting Bracket (PFM)



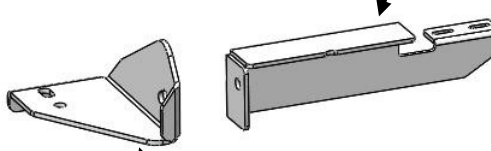
Passenger Front Support Bracket (PFS)

Driver Rear Mounting Bracket (DRM)



Driver Rear Support Bracket (DRS)

Passenger Rear Mounting Bracket (PRM)



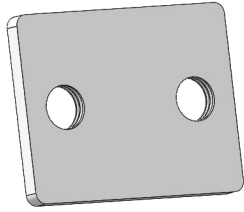
Passenger Rear Support Bracket (PRS)



Customer Support: info@iboardauto.com

iBoard®

Hardware Package A (For Bracket Installation)



Backing Plate

X4



X4

M12X1.75-35mm Hex Bolt



X8

M12X1.75-30mm Hex Bolt



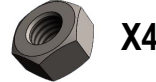
X16

M12 Large Flat Washer



X12

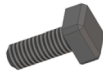
M12 Lock Washer



X4

M12 Hex Nut

Hardware Package B (For Aluminum Step Bar Installation Only, Not Supply to Stainless Steel Step Bar)



X8

M6X1-20mm Square Head Bolt



X8

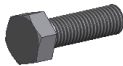
M6 Large Flat Washer



X8

M6 Nylon Lock Nut

Hardware Package C (For Stainless Steel Step Bar Installation Only, Not Supply to Aluminum Step Bar)



X8

M6X1-20mm Hex Bolt



X8

M6 Lock Washer

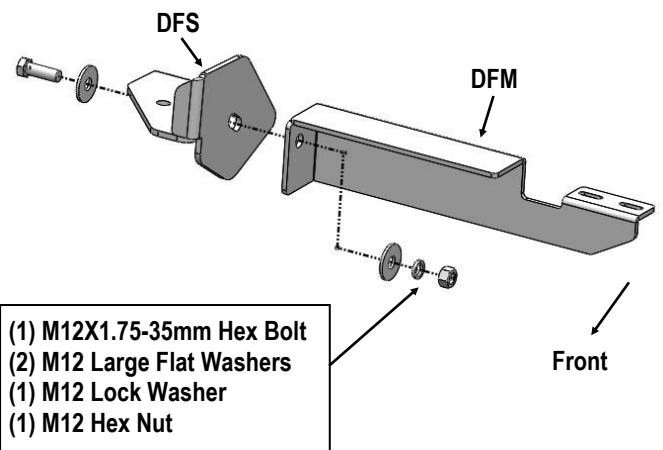


X8

M6 Flat Washer

STEP 1

Start installation from the driver side front of the vehicle. Assemble the Driver Front Mounting Bracket (DFM) and Driver Front Support Bracket (DFS), with (1) M12x1.75-35mm Hex Bolt, (2) M12 Large Flat Washers, (1) M12 Lock Washer and (1) M12 Hex Nut, (Fig 1). Do not tighten hardware at this time.

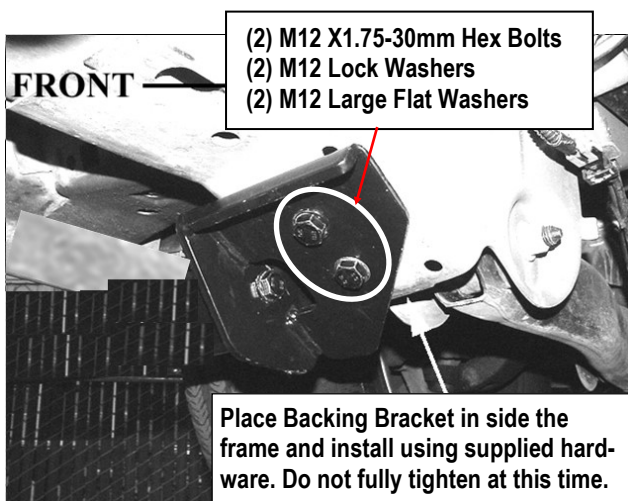


(Fig 1) Driver Front Mounting Bracket Assembly

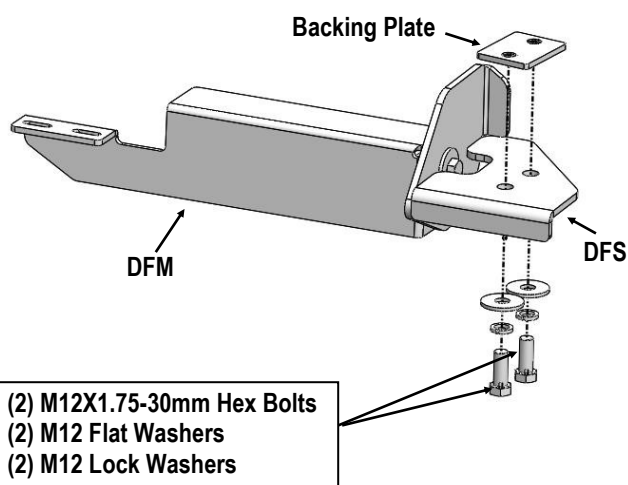
iBoard®

STEP 2

Select (1) Backing Plate and place it behind the body frame, line up the holes, clamp (1) Driver Front Mounting Bracket (DFM) on the other side using (2) M12X1.75-30mm Hex Bolts (2) M12 Lock Washers and (2) M12 Large Flat Washers to the front body mounting position. Do not fully tighten hardware at this time. (Fig 2-3).



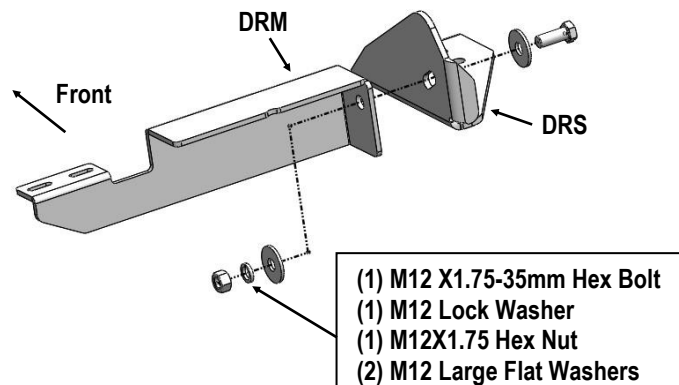
(Fig 2) Assembled Driver Front Mounting Bracket Installed



(Fig 3) Exploded View of Driver Front Mounting Bracket Installation

STEP 3

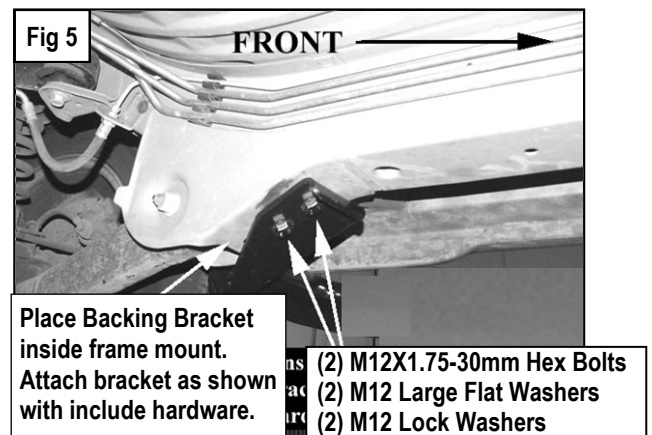
Move toward the rear of the vehicle. Assemble the Driver Rear Mounting Bracket (DRM) and Driver Rear Support Bracket (DRS) with (1) M12x1.75-35mm Hex Bolt, (2) M12 Large Flat Washers, (1) M12 Lock Washer and (1) M12 Hex Nut, (Fig 4). Do not tighten hardware at this time.



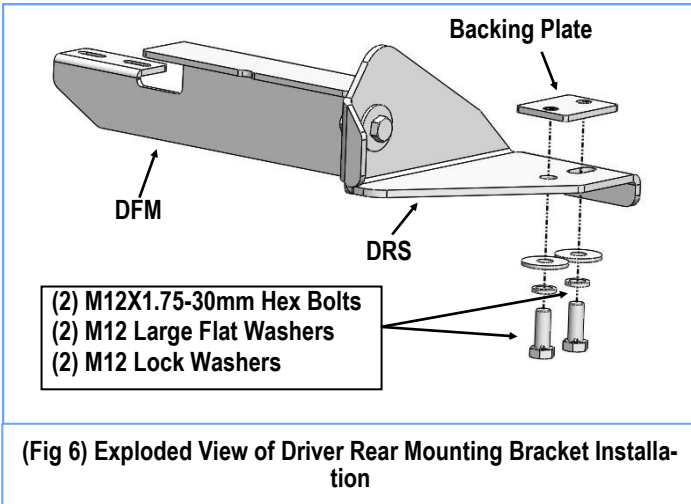
(Fig 4) Driver Rear Mounting Bracket Assembly

STEP 4

Repeat Step 2 to install the Assembled Driver Rear Mounting Bracket. Do not fully tighten hardware at this time (Fig 5-6).



iBoard®



(Fig 6) Exploded View of Driver Rear Mounting Bracket Installation

STEP 5

Once all (2) mounting brackets are installed, then proceed to the Step Bar installation. According to the style of Step Bar proceed to the correct installation STEPS.

Note: Aluminum Step Bar refer to STEP 6; Stainless Steel Step Bar skip to STEP 7.

STEP 6

Aluminum Step Bar Installation:

Select a **Aluminum Step Bar**. Slip (2) M6x1-20mm Square Head Bolts into each bottom channel (Fig 7). Carefully position the Step Bar onto the (2) Mounting Brackets.

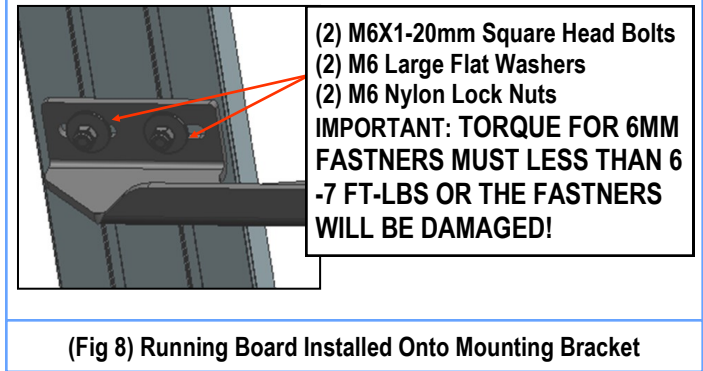
IMPORTANT: Do not slide the Step Bar on the Brackets or the bottom surface of the board will be damaged. Attach the Step Bar to each Mounting Brackets with (2) M6x1-20mm Square Head Bolts, (2) M6 Large Flat Washers and (2) M6 Nylon Lock Nuts, (Fig 8). Do not fully tighten at this time.

Level and adjust the Step Bar and fully tighten all hardware. Repeat **Steps 1-6** for the other side Step Bar installation.

The installation is completed!!!



(Fig 7) Slip M6X1-20mm Square Head Bolts Into The Bottom Channels



(Fig 8) Running Board Installed Onto Mounting Bracket

STEP 7

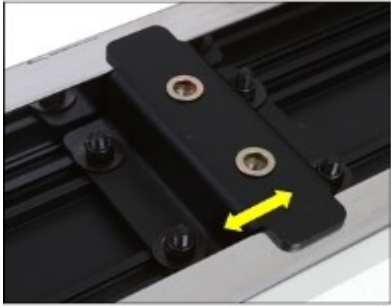
Stainless Steel Step Bar Installation:

Select a **Stainless Steel Step Bar** (with the U-Sliders installed on the Bar). Loose the U-Sliders, reposition the U-Sliders onto the board according to the (2) Installed Mounting Brackets location, (Fig 9). Re-secure the U-Sliders on the Step Bar. Attach the Step Bar to the installed Mounting Brackets with (4) M6X1-20mm Hex Bolts, (4) M6 Large Flat Washers & (4) M6 Lock Washers, (Fig 10). Do not fully tighten hardware at this time.

Level and adjust the Step Bar and fully tighten all hardware. Repeat **Steps 1-5 and 7** for the other side Step Bar installation.

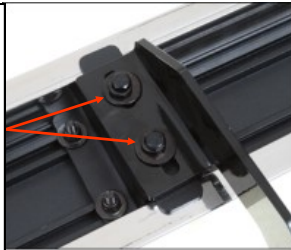
The installation is completed!!!

iBoard®



(Fig 9) Slide & line up the U-Slider with the installed mounting brackets along bottom channel

(2) M6X1-20mm Hex Bolts
(2) M6 Large Flat Washers
(2) M6 Lock Washers
IMPORTANT: TORQUE FOR 6MM FASTNERS MUST LESS THAN 6-7 FT-LBS OR THE FASTNERS WILL BE DAMAGED!



(Fig 10) Step Bar Installed on Bracket Installed (Example)

Attention

Do periodic inspections to the installation to make sure that all hardware is secure and tight.

In order to protect your bars/boards, please use only mild soap/non-abrasive products for cleaning.