

# iBoard®

## iBoard® by APS

PART#: IB-081A-B

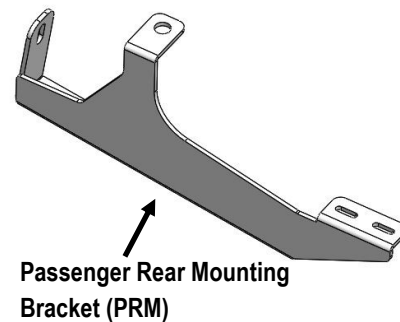
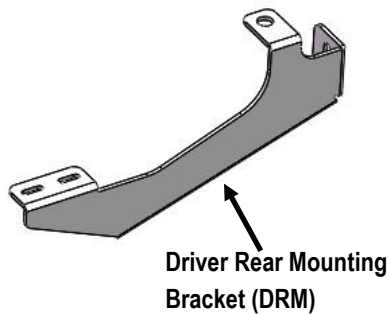
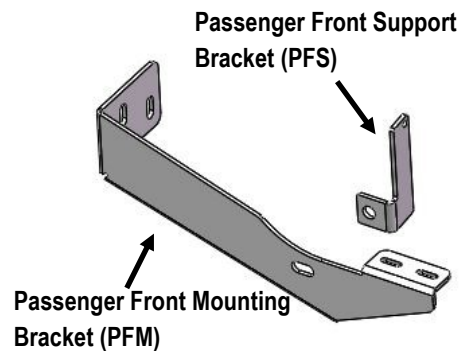
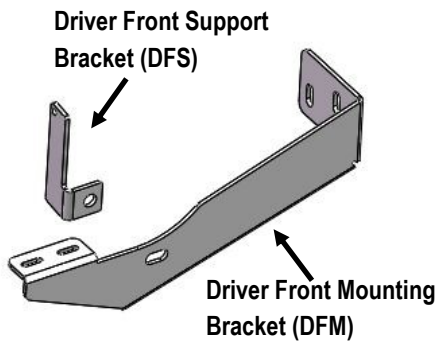
READ INSTRUCTIONS CAREFULLY BEFORE STARTING INSTALLATION. REMOVE CONTENTS FROM BOX AND VERIFY ALL PARTS ARE PRESENT. ASSISTANCE IS RECOMMENDED.

\*BODY FRAME MOUNT  
\*NO DRILLING REQUIRED

Fastener Size	Tightening Torque (ft-lbs)
6mm	6-7
8mm	16-18
10mm	31-32
12mm	56-58
14mm	92-94

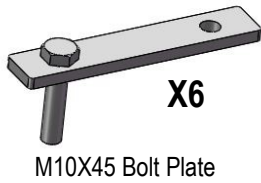
### PART LIST

Front  
↑



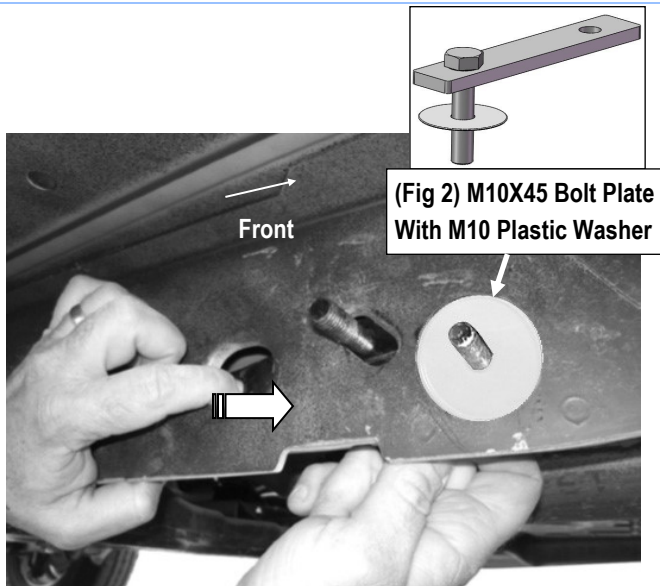
Customer Support: [info@iboardauto.com](mailto:info@iboardauto.com)

# iBoard®



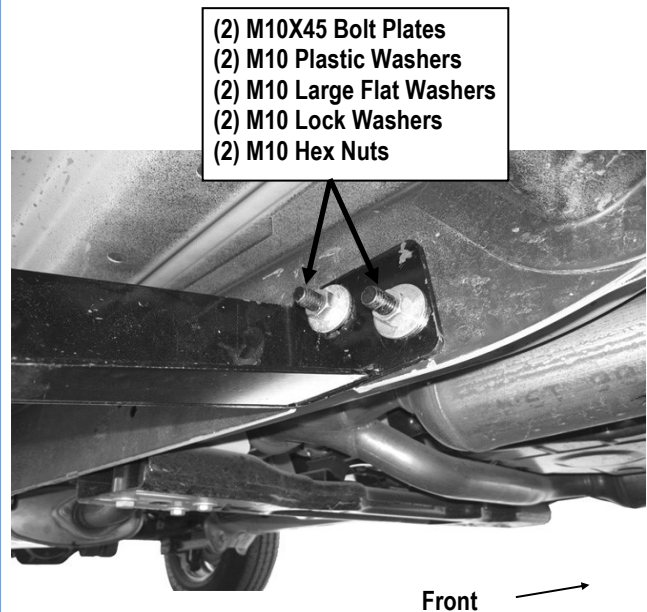
## STEP 1

Start installation from the passenger side front of the vehicle. Locate the (3) factory holes in the outside of the frame rail towards the front of the vehicle, (one large round, one oval, and one small round hole). Insert (1) M10x45 Bolt Plate into and through the large round hole and out the small round hole, **(Fig 1)**. Thread (1) M10 Plastic Washer onto the threaded end of the Bolt Plate until it is tight against the frame rail, **(Fig 2)**. The M10 Plastic Washer is designed to prevent the Bolt Plate from falling back into the frame rail and to aid in mounting the Bracket. Repeat this Step to install the 2nd Bolt Plate into the oval hole.



## STEP 2

Then, attach the Passenger Front Mounting Bracket (**PFM**) over the (2) M10x45 Bolt Plates. Secure the Front Mounting Bracket to the Bolt Plates using the included (2) M10 Large Flat Washers, (2) M10 Lock Washers and (2) M10 Hex Nuts, **(Fig 3)**. Do not fully tighten hardware at this time.

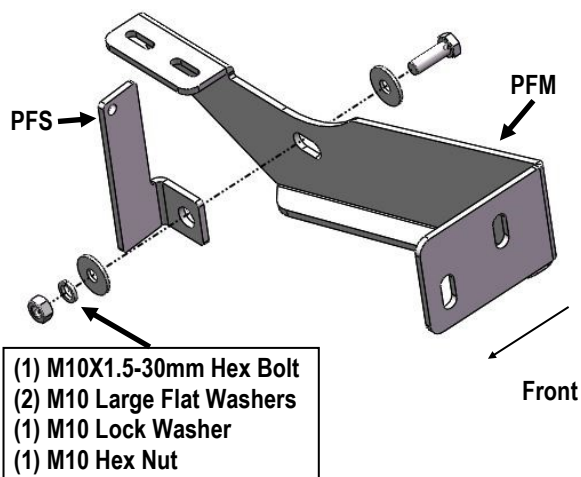


# iBoard®

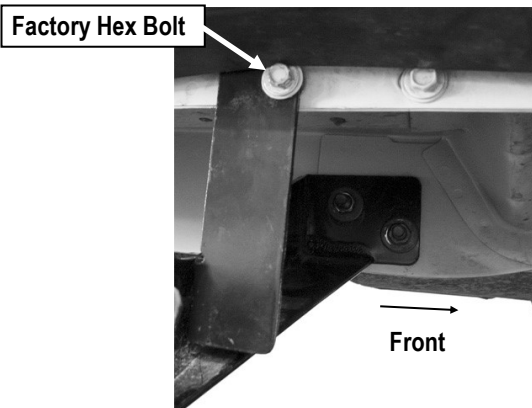
## STEP 3

Bolt the bent end of Passenger Front Support Bracket (**PFS**) to the front of the Passenger Front Mounting Bracket (**PFM**) using with (1) M10X1.5-30mm Hex Bolts, (2) M10 Large Flat Washers, (1) M10 Lock Washer and (1) M10 Hex Nuts, (**Fig 4**). Do not fully tighten hardware at this time.

Carefully pull the plastic body panel back and remove the factory bolt in the pinch weld located right above the Passenger Front Mounting Bracket. Insert the Support Bracket between the plastic panel and the pinch weld. Bolt the flat end of the Passenger Front Support Bracket to the outside of the pinch weld using the factory bolt, (**Fig 5**). Do not fully tighten hardware at this time.



(Fig 4) Passenger Front Mounting Bracket Assembly



(Fig 5) Passenger Front Support Bracket Installation

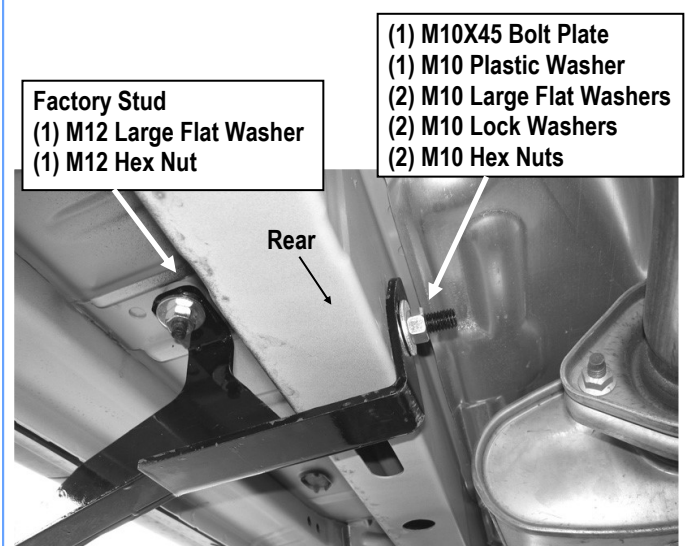
## STEP 4

Move to passenger side rear mounting location. Verify that exhaust is completely cool before continuing.

Insert (1) M10X45 Bolt Plate through the factory oval hole in the bottom of the frame rail and out through the hole in the inner wall of the frame channel, (**Fig 6**). Thread (1) M10 Plastic Washer onto the threaded end of the Bolt Plate until it is tight against the frame rail as described in **Step 2**.

Select the Passenger Rear Mounting Bracket (**PRM**). Hang the Bracket from the Bolt Plate with the included (1) M10 Lock Washer, (1) M10 Large Flat Washer and (1) M10 Hex Nut. Rotate the Bracket up and over the Factory 12mm Stud located in the floor panel towards the center of the vehicle. Attach the Bracket to the stud using the included (1) M12 Large Flat Washer and (1) M12 Hex Nut, (**Fig 6**). Do not fully tighten hardware at this time.

**Note:** Driver side Rear Mounting Bracket bolts to the outer wall of the frame channel, (**Fig 7**).

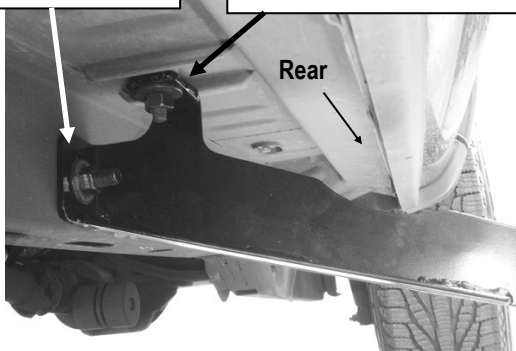


(Fig 6) Passenger Rear Mounting Bracket Installation

# iBoard®

- (1) M10X45 Bolt Plate
- (1) M10 Plastic Washer
- (1) M10 Large Flat Washer
- (1) M10 Lock Washer
- (1) M10 Hex Nut

- Factory Stud
- (1) M12 Large Flat Washer
- (1) M12 Hex Nut



(Fig 7) Driver Rear Mounting Bracket Installation

## STEP 5

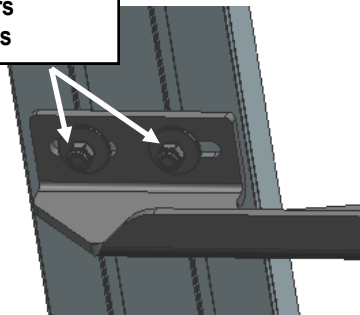
Select a Running Board. Slip (2) M6X1-20mm Square Head Bolts into each bottom channel (Fig 8). Carefully position the Running Board onto the (2) Mounting Brackets.

**IMPORTANT:** Do not slide the Running Board on the Brackets or the bottom surface of the board will be damaged. Attach the Running Board to each Mounting Bracket with (2) M6x1-20mm Square Head Bolts, (2) M6 Large Flat Washers and (2) M6 X1 Nylon Lock Nuts (Fig 9). Do not fully tighten at this time.



(Fig 8) Slip M6X1-20mm Square Head Bolts Into The Bottom Channels

- (2) M6X1-20mm Square Head Bolts
- (2) M6 Large Flat Washers
- (2) M6X1 Nylon Lock Nuts



(Fig 9) Running Board Installed Onto the Mounting Bracket

## STEP 6

Level and adjust the Running Board and fully tighten all hardware.

## STEP 7

Repeat **Steps 1-6** for other side Running Board installation. The installation is completed (Fig 10).



(Fig 10) Installation Completed

### Attention

Do periodic inspections to the installation to make sure that all hardware is secure and tight. In order to protect your bars/boards, please use only mild soap/non-abrasive products for cleaning.