

# iBoard®

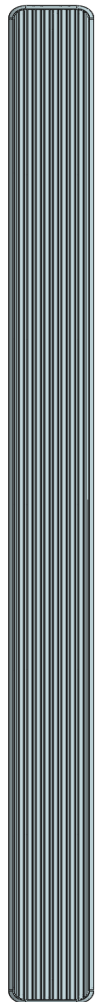
## iBoard® by APS

PART#: IB-219

READ INSTRUCTIONS CAREFULLY BEFORE STARTING INSTALLATION. REMOVE CONTENTS FROM BOX AND VERIFY ALL PARTS ARE PRESENT. ASSISTANCE IS RECOMMENDED.

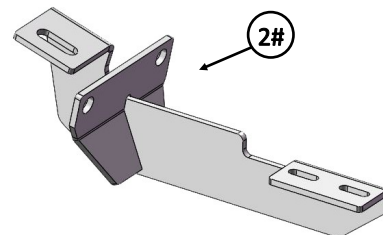
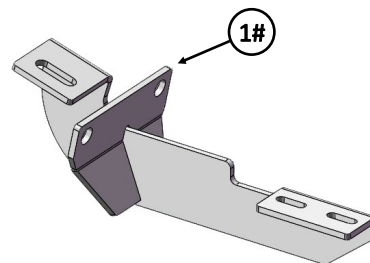
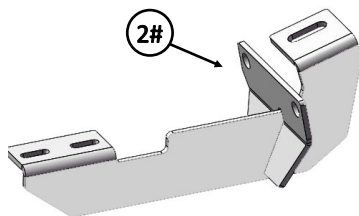
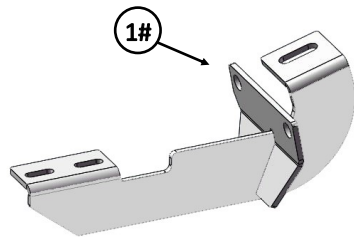
\*ROCKER PANEL MOUNT  
\*NO DRILLING REQUIRED

Fastener Size	Tightening Torque (ft-lbs)	Required
6mm	6-7	√
8mm	16-18	√
10mm	31-32	√
12mm	56-58	X
14mm	92-94	X



Driver Side Step Bar

Front  
↑




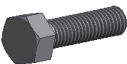




Passenger Side Step Bar

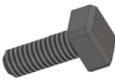


# iBoard®

Mounting Bracket List					
Item	QTY	Description	Item	QTY	Description
1#	2	Driver/Passenger Front Mounting Brackets	3#	6	Adjustment Spacers
2#	2	Driver/Passenger Rear Mounting Brackets			




Hardware Package A (For Bracket Installation)					
Item	QTY	Description	Item	QTY	Description
1#	4	M10 Bolt Plates	4#	8	M8X1.25-35mm Hex Bolts
2#	4	M10 Large Flat Washers	5#	16	M8 Flat Washers
3#	4	M10 Nylon Lock Nuts	6#	8	M8 Nylon Lock Nuts

 1#
  2#
  3#
  4#
  5#
  6#

Hardware Package B (For Aluminum Step Bar Installation Only, Not Supply to SS. Step Bar)					
Item	QTY	Description	Item	QTY	Description
1#	8	M6X1-20mm Square Head Bolts	3#	8	M6 Nylon Lock Nuts
2#	8	M6 Large Flat Washers			

 1#
  2#
  3#

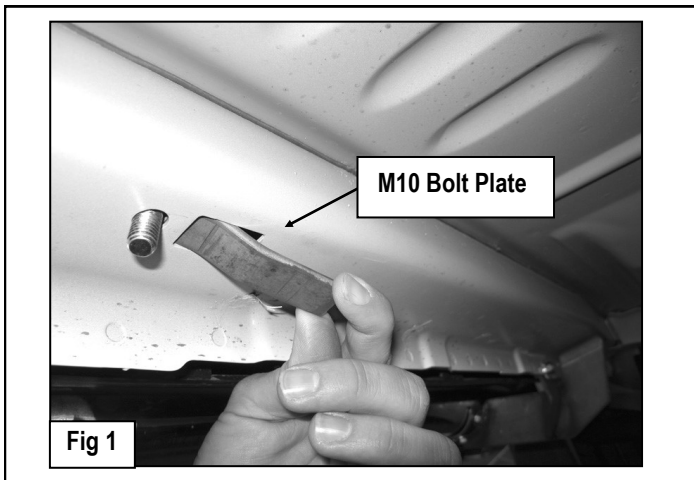
Hardware Package C (For Stainless Steel Step Bar Installation Only, Not Supply to Aluminum Step Bar)					
Item	QTY	Description	Item	QTY	Description
1#	8	M6X1-20mm Hex Bolts	3#	8	M6 Flat Washers
2#	8	M6 Lock Washers			

 1#
  2#
  3#

# iBoard®

## STEP 1

Start installation front the passenger side of the vehicle. Insert (1) M10 Bolt Plate into the rectangular hole and out the round hole in the bottom of the side panel, (Fig 1).



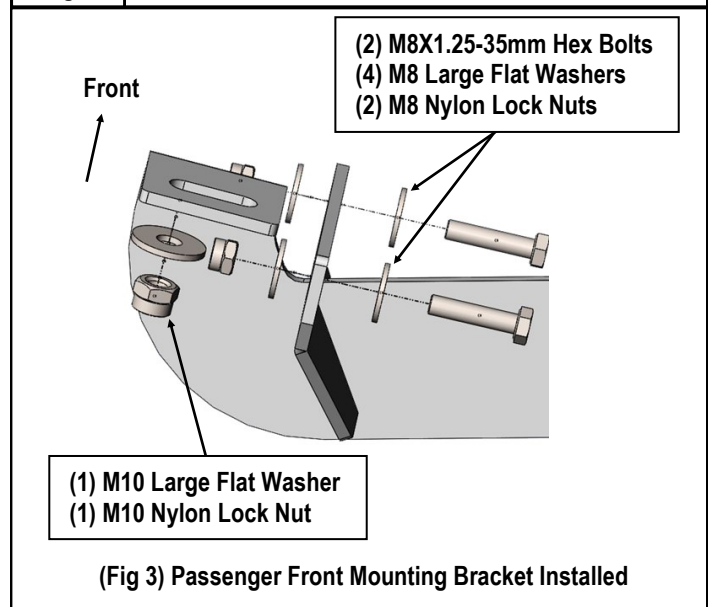
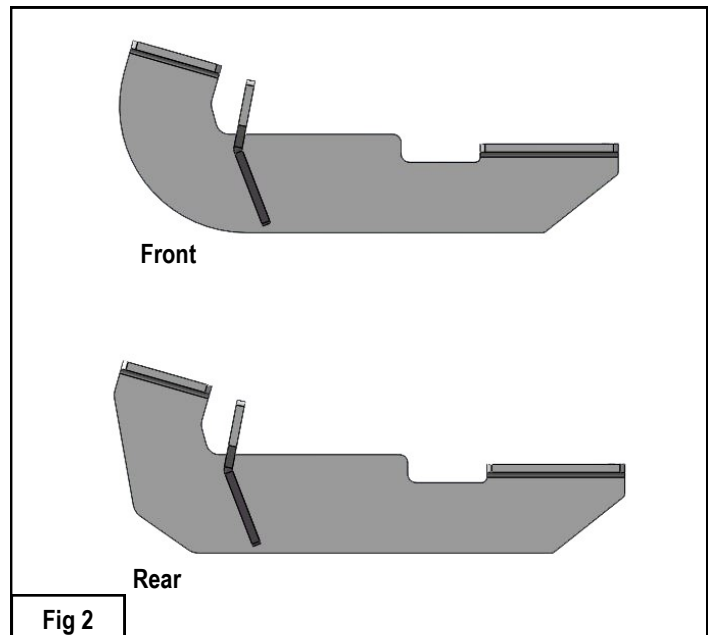
## STEP 2

Select the Passenger Front Mounting Bracket. Hold a Passenger Mounting Bracket in place on the outside of the pinch weld and over the Bolt Plate. Attach the Mounting Bracket to the M10 Bolt Plate with the included (1) M10 Large Flat Washer and (1) M10 Nylon Lock Nut, (Fig 3). Leave loose at this time.

**NOTE:** Make sure that the mounting tab on the Bracket is on the outside of the pinch weld.

Line up the (2) holes in the Bracket with the factory holes in the pinch weld. Attach the Bracket to the pinch weld using the included (2) M8X1.25-35mm Hex Bolts, (4) M8 Large Flat Washers and (2) M8 Nylon Lock Nuts, (Fig 3). Do not fully tighten at this time.

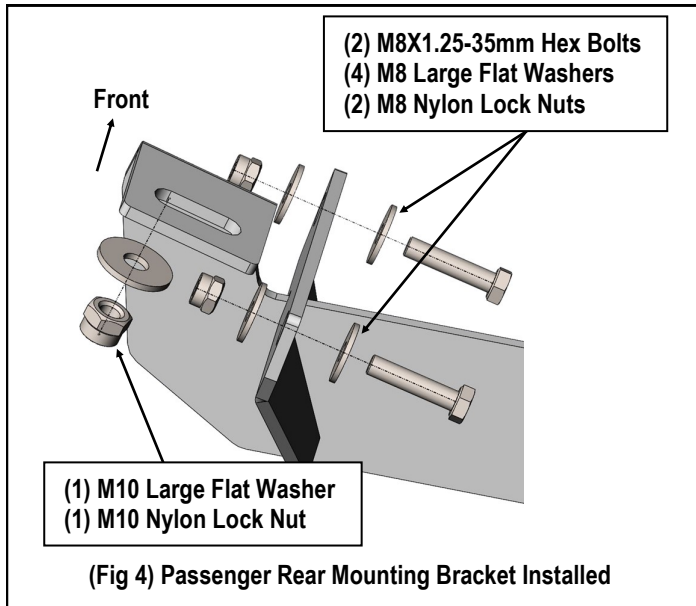
**IMPORTANT:** The Passenger Front Mounting Bracket is different from the Passenger Rear Mounting Bracket, (Fig 2). Use the instructions to correctly identify the Brackets.



## STEP 3

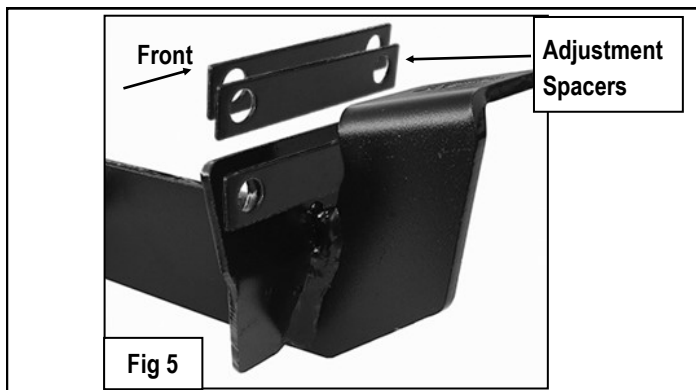
Move to the Passenger Side Rear Mounting location. Repeat Steps 1—2 to install the Passenger Rear Mounting Bracket, (Fig 4). Do not fully tighten at this time.

# iBoard®



## STEP 4

**NOTE:** Depending on the vehicle, model and year, the front of the running board may be close to or make contact with front factory flares. If necessary, insert 1 to 3 of the Adjustment Spacers between the Bracket and the outside of the pinch weld as needed to adjust the fitment of the Side step bar, (Fig 6).



## STEP 5

Once all (2) mounting brackets are installed, then proceed to the Step Bar installation. According to the style of Step Bar proceed to the correct installation STEPS.

**Note:** Aluminum Step Bar refer to STEP 6; Stainless Steel Step Bar skip to STEP 7.

## STEP 6

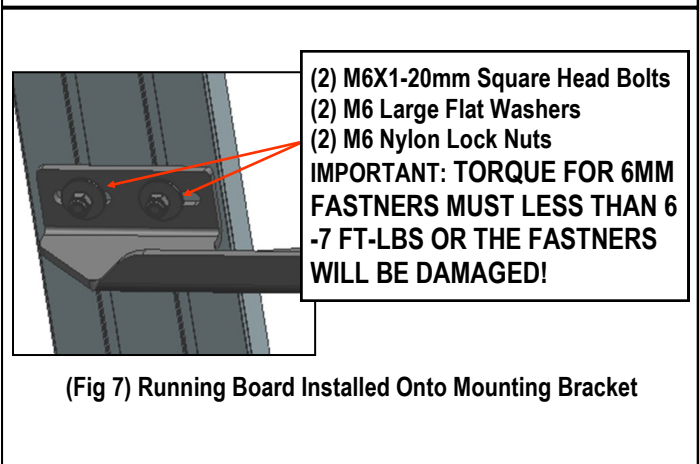
### Aluminum Step Bar Installation:

Select a **Aluminum Step Bar**. Slip (2) M6x1-20mm Square Head Bolts into each bottom channel (Fig 6). Carefully position the Step Bar onto the (2) Mounting Brackets.

**IMPORTANT:** Do not slide the Step Bar on the Brackets or the bottom surface of the board will be damaged. Attach the Step Bar to each Mounting Brackets with (2) M6x1-20mm Square Head Bolts, (2) M6 Large Flat Washers and (2) M6 Nylon Lock Nuts, (Fig 7). Do not fully tighten at this time.

Level and adjust the Step Bar and fully tighten all hardware.

Repeat **Steps 1-6** for the other side Step Bar installation. **The installation is completed!!!**



# iBoard®

## STEP 7

### Stainless Steel Step Bar Installation:

Select a **Stainless Steel Step Bar** (with the U-Sliders installed on the Bar). Loosen the U-Sliders, reposition the U-Sliders onto the board according to the (2) Installed Mounting Brackets location, (**Fig 8**). Re-secure the U-Sliders on the Step Bar. Attach the Step Bar to the installed Mounting Brackets with (4) M6X1-20mm Hex Bolts, (4) M6 Large Flat Washers & (4) M6 Lock Washers, (**Fig 9**). Do not fully tighten hardware at this time.

Level and adjust the Step Bar and fully tighten all hardware.

Repeat **Steps 1-5 and 7** for the other side Step Bar installation.

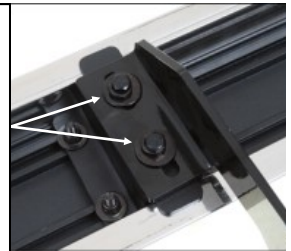
**The installation is completed!!!**



(Fig 8) Slide & line up the U-Slider with the installed mounting brackets along bottom channel

- (2) M6X1-20mm Hex Bolts
- (2) M6 Large Flat Washers
- (2) M6 Lock Washers

**IMPORTANT: TORQUE FOR 6MM FASTNERS MUST LESS THAN 6-7 FT-LBS OR THE FASTNERS WILL BE DAMAGED!**



(Fig 9) Step Bar Installed on Bracket Installed (Example)

### Attention

Do periodic inspections to the installation to make sure that all hardware is secure and tight.

In order to protect your bars/boards, please use only mild soap/non-abrasive products for cleaning.