

iBoard®

iBoard® by APS

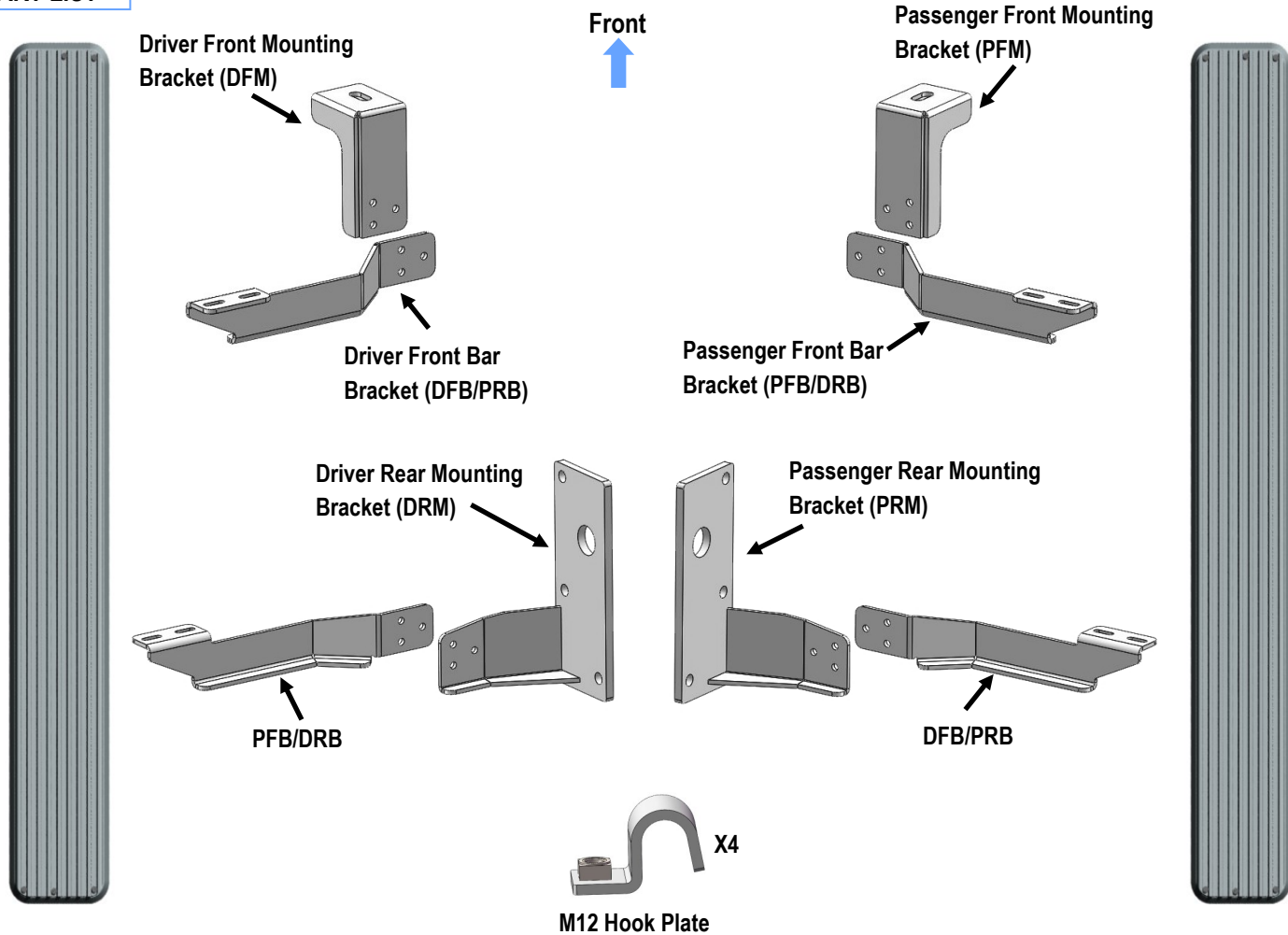
PART#: IB-204

READ INSTRUCTIONS CAREFULLY BEFORE STARTING INSTALLATION. REMOVE CONTENTS FROM BOX AND VERIFY ALL PARTS ARE PRESENT. ASSISTANCE IS RECOMMENDED.

*ROCKER PANEL MOUNT
*NO DRILLING REQUIRED

Fastener Size	Tightening Torque (ft-lbs)	Required
6mm	6-7	√
8mm	16-18	√
10mm	31-32	X
12mm	56-58	√
14mm	92-94	X

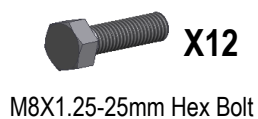
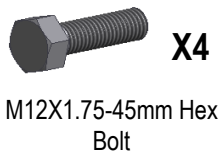
PART LIST



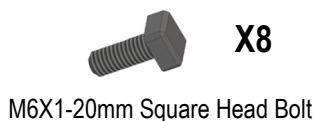
Customer Support: info@iboardauto.com

iBoard®

Hardware Package A (For Bracket Installation)



Hardware Package B (For Aluminum Step Bar Installation Only, Not Supply to Stainless Steel Step Bar)



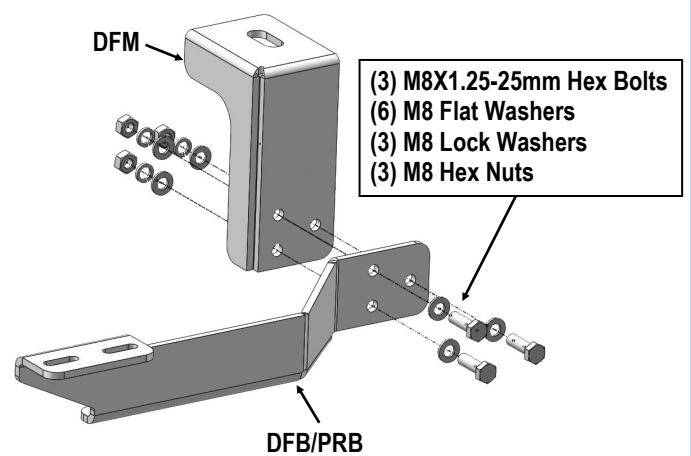
Hardware Package C (For Stainless Steel Step Bar Installation Only, Not Supply to Aluminum Step Bar)



STEP 1

Start installation from the driver side front of the vehicle, locate and remove the factory front body mount bolt.

Assemble Driver Front Mounting Bracket (DFM) and Driver Front Bar Bracket (DFB/PRB) with (3) M8X1.25-25mm Hex Bolts, (6) M8 Flat Washers, (3) M8 Lock Washers and (3) M8 Hex Nuts, (Fig 1). Do not fully tighten hardware at this time.



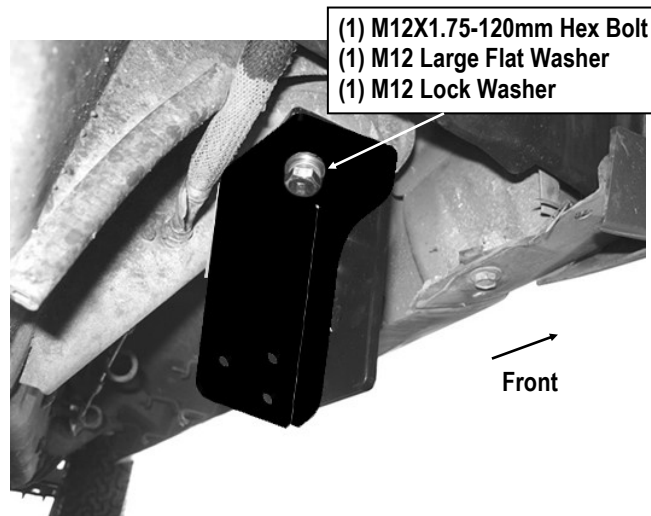
(Fig 1) Driver Front Mounting Bracket (DFM) and Driver Front Bar Bracket (DFB/PRB) Assembly

iBoard®

STEP 2

Attach Driver Front Mounting Bracket (**DFM**) onto the Driver side front mounting location with the included (1) M12X1.75-120mm Hex Bolt, (1) M12 Lock Washer and (1) M12 Large Flat Washer, (**Fig 2**). Do not fully tighten hardware at this time.

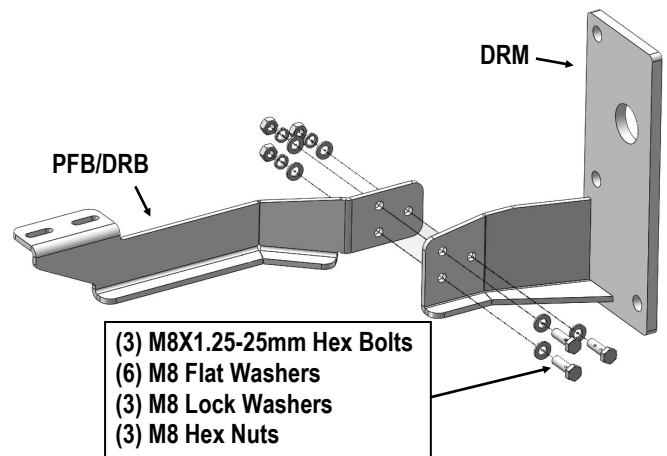
NOTE: Driver Front and Passenger Front Mounting bracket can be switched if necessary to clear the emergency brake cable.



(Fig 2) Driver Front Mounting Bracket (DFM) Installed

STEP 3

Move to the driver side rear of the vehicle. Assemble Driver Rear Mounting Bracket (**DRM**) and Driver Rear Bar Bracket (**PFB/DRB**) with (3) M8X1.25-25mm Hex Bolts, (6) M8 Flat Washers, (3) M8 Lock Washers and (3) M8 Hex Nuts, (**Fig 3**). Do not fully tighten hardware at this time.



(Fig 3) Driver Rear Mounting Bracket (DRM) and Driver Rear Bar Bracket (PFB/DRB) Assembly

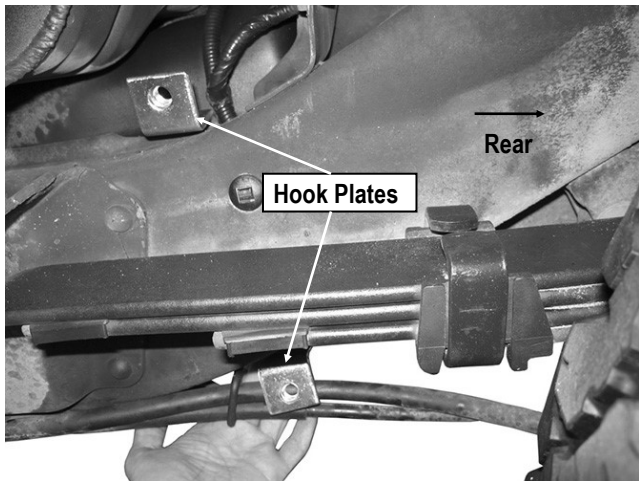
STEP 4

Select (1) M12 Hook Plate. Hook the Hook Plate onto the top edge of the frame, (**Fig 4**). Position the Driver Rear Mounting Bracket (**DRM**) up against the frame between the leaf spring and frame, (**Fig 5**). Attach the Driver Rear Mounting Bracket (**DRM**) to the top Hook Plate with (1) M12X1.75-45mm Hex Bolt, (1) M12 Lock Washer and (1) M12 Flat Washer, (**Fig 6**). Do not fully tighten hardware at this time.

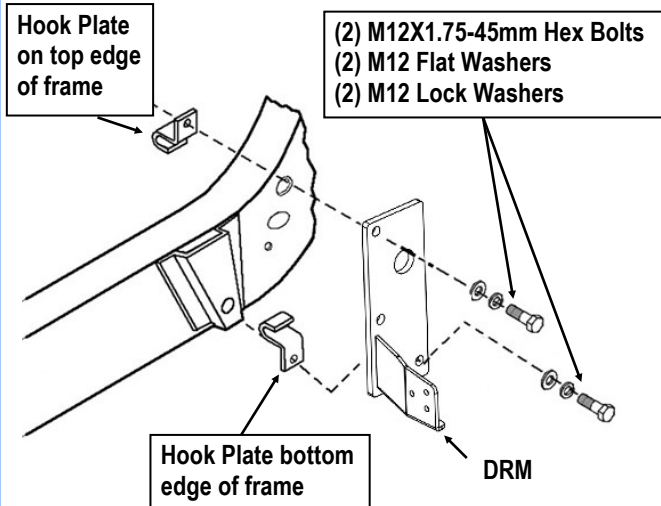
Select (1) M12 Hook Plate. Hook the Hook Plate over the bottom edge of the frame. Repeat to attach the bottom of the Driver Rear Mounting Bracket (**DRM**) to the Hook Plate, (**Figs 5 & 6**). **NOTE:** Make sure the clearance holes in the rear Mounting Bracket are lined up with the factory fasteners in the frame.

IMPORTANT! Adjust the location of the bottom Hook Plate away from the emergency brake cable. Do not fully tighten hardware at this time.

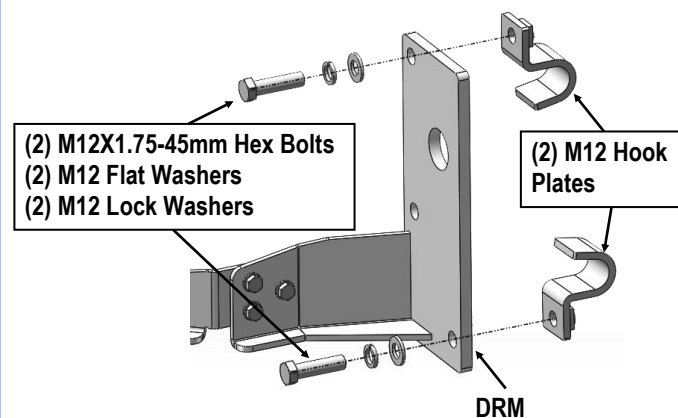
iBoard®



(Fig 4) M12 Hook Plates Installed



(Fig 5) Driver Rear Mounting Bracket (DRM) Installed



(Fig 6) Driver Rear Mounting Bracket (DRM) Installed

STEP 5

Once all (2) mounting brackets are installed, then proceed to the Step Bar installation. According to the style of Step Bar proceed to the correct installation STEPS.

Note: Aluminum Step Bar refer to STEP 6; Stainless Steel Step Bar skip to STEP 7.

STEP 6

Aluminum Step Bar Installation:

Select a **Aluminum Step Bar**. Slip (2) M6x1-20mm Square Head Bolts into each bottom channel (**Fig 7**). Carefully position the Step Bar onto the (2) Mounting Brackets.

IMPORTANT: Do not slide the Step Bar on the Brackets or the bottom surface of the board will be damaged. Attach the Step Bar to each Mounting Brackets with (2) M6x1-20mm Square Head Bolts, (2) M6 Large Flat Washers and (2) M6 Nylon Lock Nuts, (**Fig 8**). Do not fully tighten at this time.

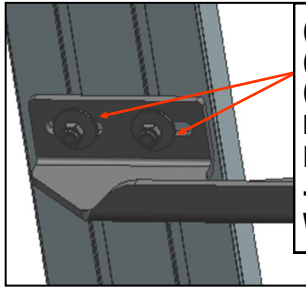
Level and adjust the Step Bar and fully tighten all hardware. Repeat **Steps 1-6** for the other side Step Bar installation.

The installation is completed!!!



(Fig 7) Slip M6X1-20mm Square Head Bolts Into The Bottom Channels

iBoard®



(2) M6X1-20mm Square Head Bolts
(2) M6 Large Flat Washers
(2) M6 Nylon Lock Nuts
IMPORTANT: TORQUE FOR 6MM FASTENERS MUST LESS THAN 6-7 FT-LBS OR THE FASTENERS WILL BE DAMAGED!

(Fig 8) Running Board Installed Onto Mounting Bracket

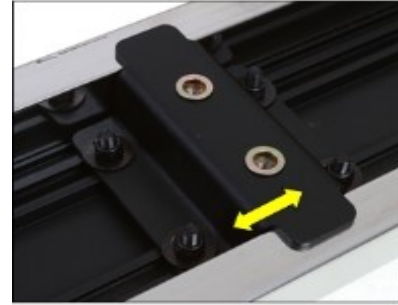
STEP 7

Stainless Steel Step Bar Installation:

Select a **Stainless Steel Step Bar** (with the U-Sliders installed on the Bar). Loose the U-Sliders, reposition the U-Sliders onto the board according to the (2) Installed Mounting Brackets location, (Fig 9). Re-secure the U-Sliders on the Step Bar. Attach the Step Bar to the installed Mounting Brackets with (4) M6X1-20mm Hex Bolts, (4) M6 Large Flat Washers & (4) M6 Lock Washers, (Fig 10). Do not fully tighten hardware at this time.

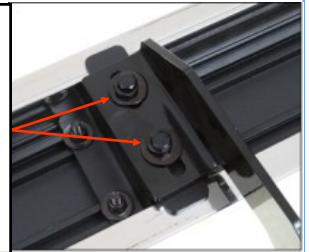
Level and adjust the Step Bar and fully tighten all hardware. Repeat **Steps 1-5 and 7** for the other side Step Bar installation.

The installation is completed!!!



(Fig 9) Slide & line up the U-Slider with the installed mounting brackets along bottom channel

(2) M6X1-20mm Hex Bolts
(2) M6 Large Flat Washers
(2) M6 Lock Washers
IMPORTANT: TORQUE FOR 6MM FASTENERS MUST LESS THAN 6-7 FT-LBS OR THE FASTENERS WILL BE DAMAGED!



(Fig 10) Step Bar Installed on Bracket Installed (Example)

Attention

Do periodic inspections to the installation to make sure that all hardware is secure and tight.

In order to protect your bars/boards, please use only mild soap/non-abrasive products for cleaning.