

iBoard[®]

iBoard[®] by APS

PART#: IB-R356

READ INSTRUCTIONS CAREFULLY BEFORE STARTING INSTALLATION. REMOVE CONTENTS FROM BOX AND VERIFY ALL PARTS ARE PRESENT. ASSISTANCE IS RECOMMENDED.

***ROCKER PANEL MOUNT
*NO DRILLING REQUIRED**

Fastener Size	Tightening Torque (ft-lbs)	Required
6mm	6-7	√
8mm	16-18	√
10mm	31-32	X
12mm	56-58	X
14mm	92-94	X

Item	QTY	Description	Item	QTY	Description
1#	1	Driver Front Mounting Bracket	7#	18	M8X1.25-25mm Hex Bolts
2#	1	Passenger Front Mounting Bracket	8#	18	M8 Large Flat Washers
3#	1	Driver Front Mounting Bracket	9#	18	M8 Lock Washers
4#	1	Passenger Front Mounting Bracket	10#	12	M6X1-20mm Square Head Bolts
5#	1	Driver Front Mounting Bracket	11#	12	M6 Large Flat Washers
6#	1	Passenger Front Mounting Bracket	12#	12	M6 Nylon Lock Nuts



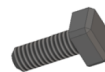
7 #



8 #



9 #



10 #



11 #



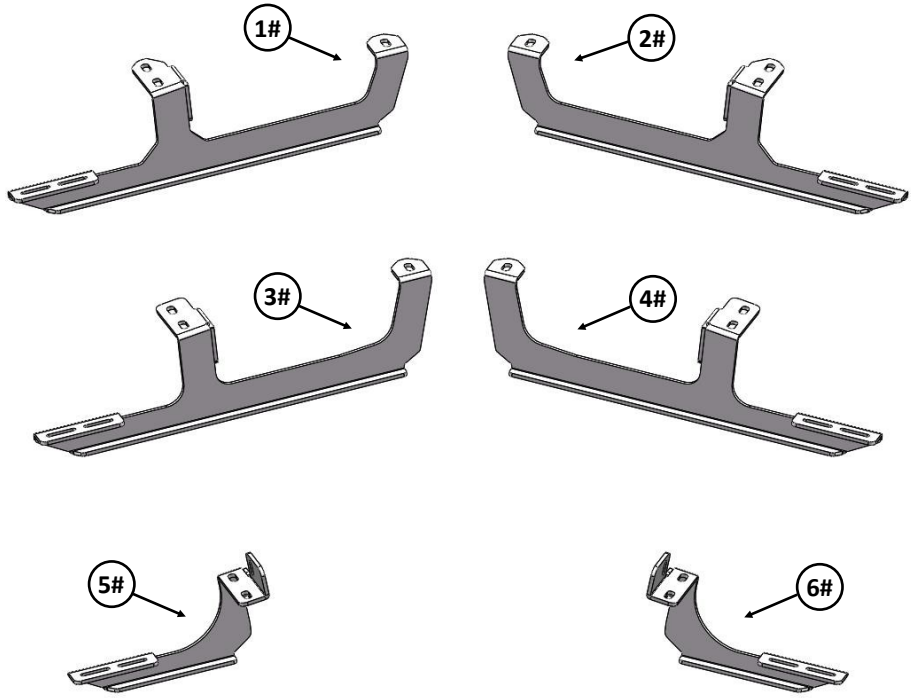
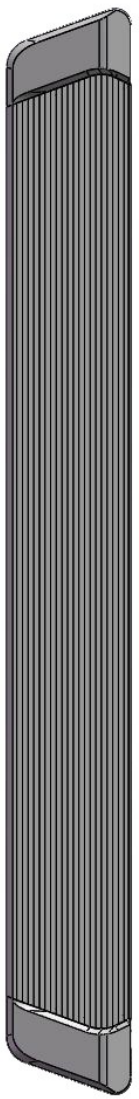
12 #

iBoard®

Driver

Front

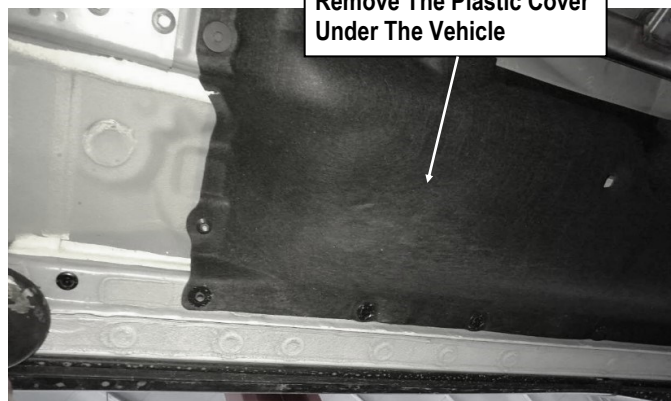
Passenger



iBoard®

STEP 1

Starting installation under the driver side of the vehicle. Remove the plastic cover under the driver side of the vehicle, (Fig 1).



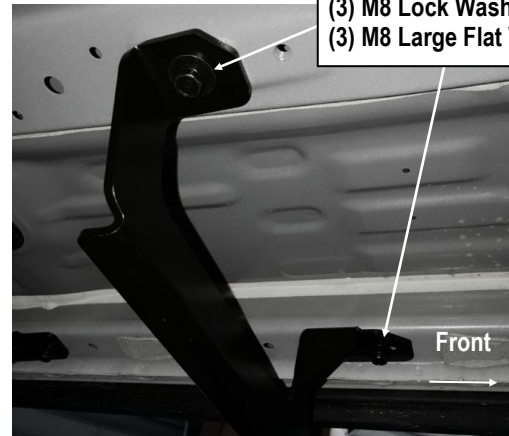
(Fig 1) Driver Side Front Mounting Location

STEP 2

Select the Driver Front Mounting Bracket. Attach the outer end of the Driver Front Mounting Bracket to the (2) threaded holes next to the pinch weld with the included (2) M8X1.25-25mm Hex Bolts, (2) M8 Large Flat Washers and (2) M8 Lock Washers, (Fig 2).

Attach the inner tab on the bracket to the threaded hole in the bottom of the inner frame channel with the included (1) M8X1.25-25mm Hex Bolt, (1) M8 Large Flat Washer and (1) M8 Lock Washer, (Fig 2). Do not fully tighten hardware at this time.

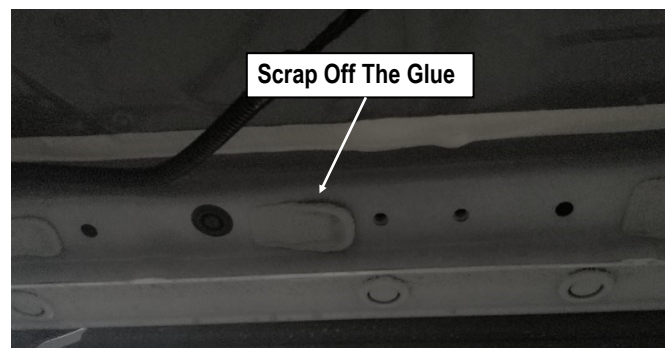
IMPORTANT: The Front and Center Mounting Brackets are similar but they are not same.



(Fig 2) Driver Side Front Mounting Bracket Installation

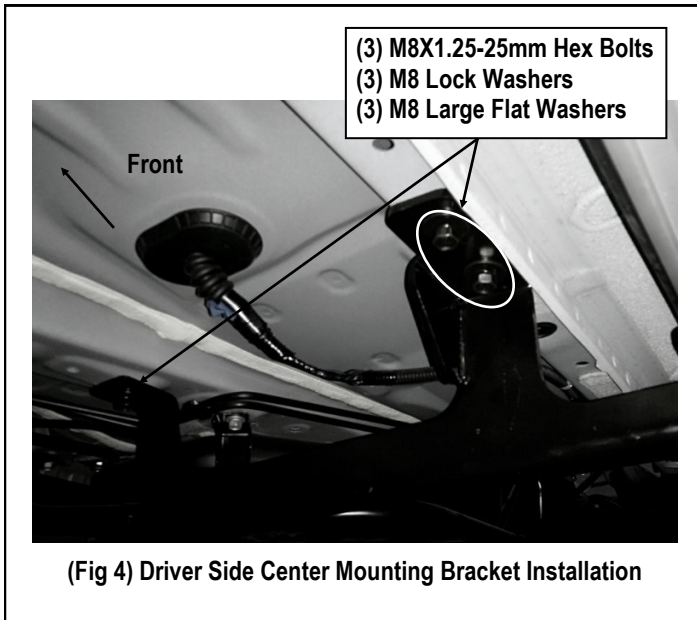
STEP 3

Move to the driver side center of the vehicle and repeat **Steps 1-2** for the Driver Center Mounting Bracket installation, (Fig 4). **NOTE:** There is the dry glue on the driver side of the vehicle and block one mounting hole on the center brackets. Please carefully scrap off the glue before install the Driver Side Center Mounting Bracket, (Fig 3).



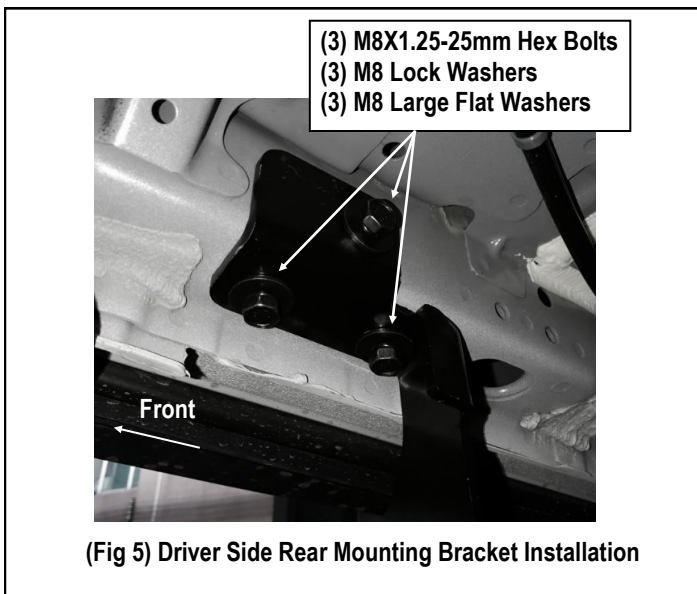
(Fig 3) Driver Side Center Mounting Location

iBoard®



STEP 4

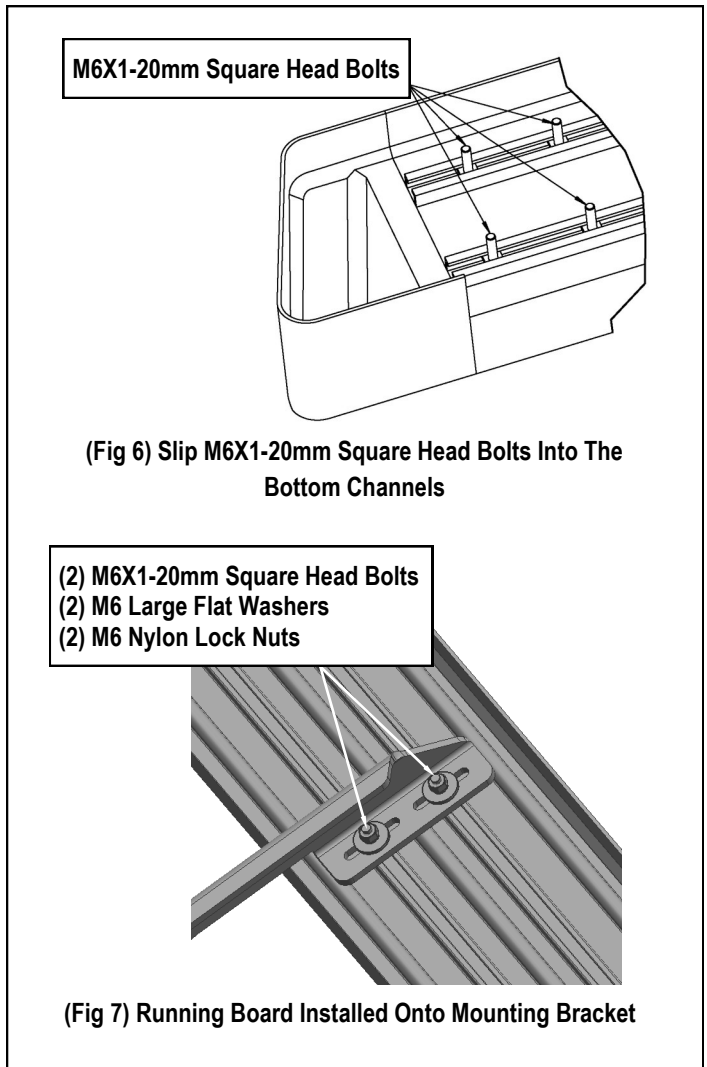
Move to the driver side rear of the vehicle. Select the Driver Rear Mounting Bracket. Attach the bracket to the vehicle with (3) M8X1.25-25mm Hex Bolts, (3) M8 Large Flat Washers and (3) M8 Lock Washers, (Fig 5). Do not fully tighten hardware at this time.



STEP 5

Select a Running Board. Slip (3) M6x1-20mm Square Head Bolts into each bottom channel (Fig 6). Carefully position the Running Board onto the (3) Mounting Brackets.

IMPORTANT: Do not slide the Running Board on the Brackets or the bottom surface of the board will be damaged. Attach the Running Board to each Mounting Bracket with (2) M6x1-20mm Square Head Bolts, (2) M6 Large Flat Washers and (2) M6 Nylon Lock Nuts (Fig 7). Do not fully tighten at this time.



iBoard®

STEP 6

Leave the plastic cover completely loose and fully tighten the hardware bolting the Brackets to the vehicle. Cover will not be reinstalled until after the Running Board has been installed, aligned and then all hardware tightened. Cover must be loose to access inner hardware.

Once all Bracket hardware has been completely tightened, re-install the plastic cover with the factory hardware.

STEP 7

Level and adjust the Running Board and fully tighten all hardware.

Important: Please follow the recommended Tightening Torques shown in the table on page 1. Don't over tighten, or the nuts/bolts will be damaged.

STEP 8

Repeat **Steps 1-7** for the other side Running Board installation. The installation is completed .

Attention

Do periodic inspections to the installation to make sure that all hardware is secure and tight.

In order to protect your bars/boards, please use only mild soap/non-abrasive products for cleaning.