

iBoard®



Scan for Installation Video

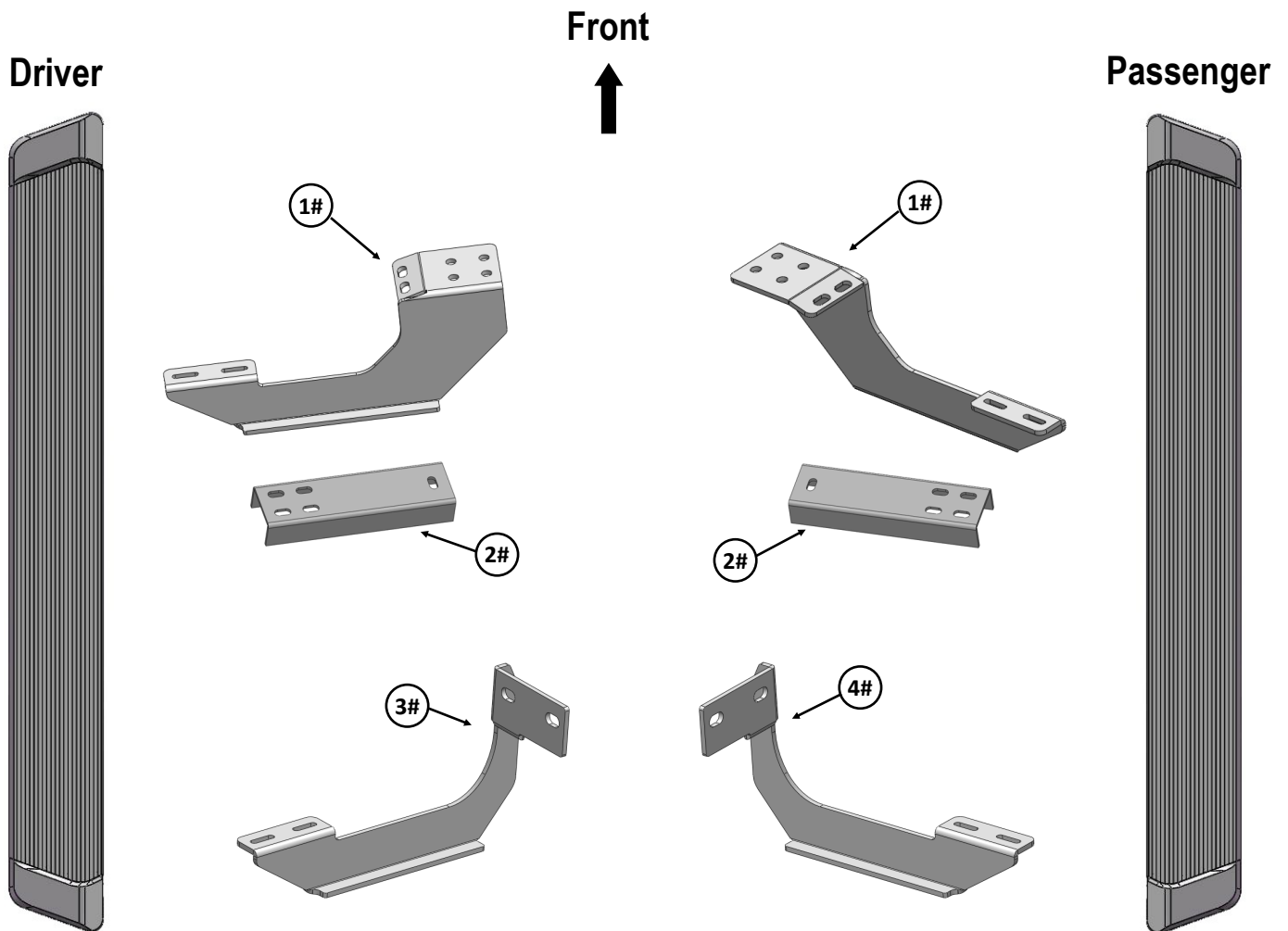
iBoard® by APS

PART#: IB-R123

READ INSTRUCTIONS CAREFULLY BEFORE STARTING INSTALLATION. REMOVE CONTENTS FROM BOX AND VERIFY ALL PARTS ARE PRESENT. ASSISTANCE IS RECOMMENDED.

*ROCKER PANEL MOUNT
*NO DRILLING REQUIRED

Fastener Size	Tightening Torque (ft-lbs)	Required
6mm	6-7	√
8mm	16-18	√
10mm	31-32	√
12mm	56-58	X
14mm	92-94	X

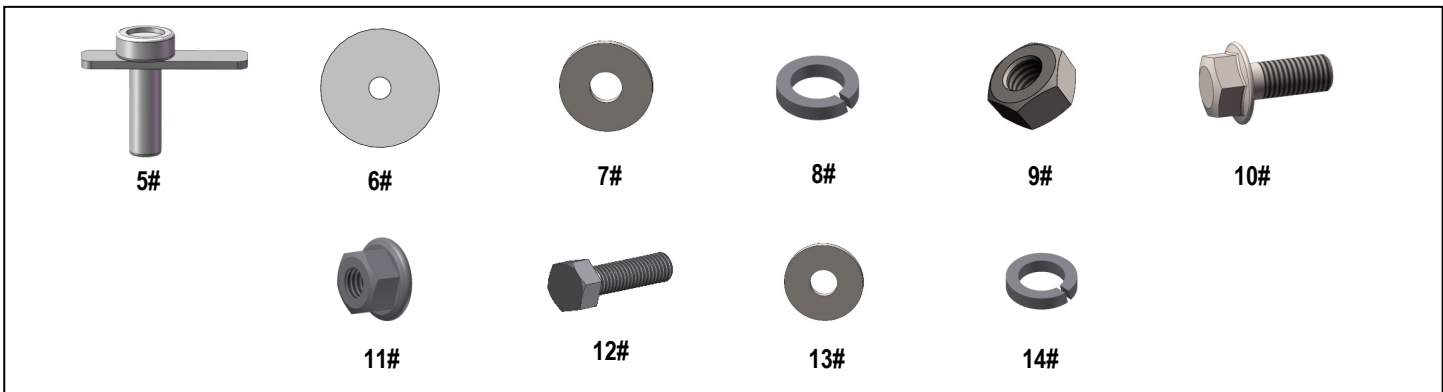


Customer Support: info@iboardauto.com



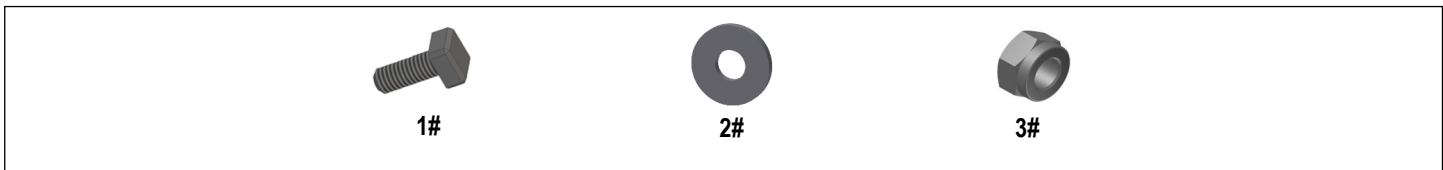
Hardware Package A (For Bracket Installation)

Item	QTY	Description	Item	QTY	Description
1#	2	Drive / Passenger Front Mounting Brackets	8#	4	M10 Lock Washers
2#	2	Drive / Passenger Front Support Brackets	9#	4	M10X1.5 Hex Nuts
3#	1	Driver Rear Mounting Bracket	10#	8	M8X1.25-20mm Hex Flange Bolts
4#	1	Passenger Rear Mounting Bracket	11#	8	M8X1.25 Hex Flange Nuts
5#	4	M10X1.5-35mm Bolt Plates	12#	6	M8X1.25-30mm Hex Bolts
6#	4	Plastic Washers	13#	6	M8 Flat Washers
7#	4	M10 Flat Washers	14#	6	M8 Lock Washers



Hardware Package B (For Step Bar Installation)

Item	QTY	Description	Item	QTY	Description
1#	8	M6X1-20mm Square Head Bolts	3#	8	M6 Nylon Lock Nuts
2#	8	M6 Large Flat Washers			

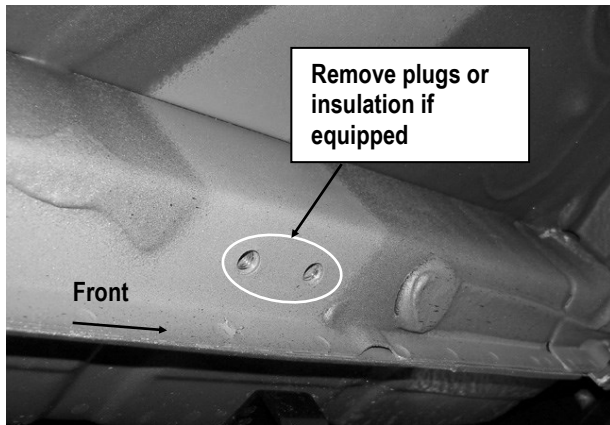




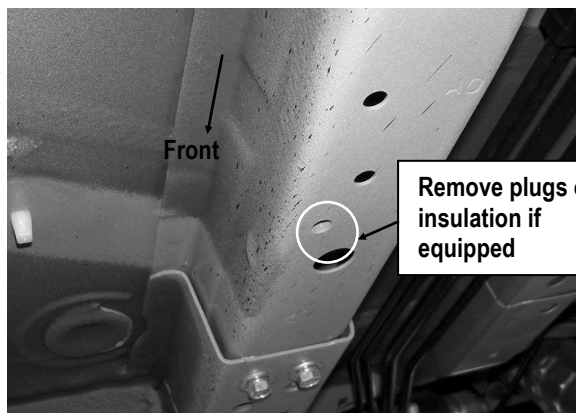
STEP 1

Starting from the driver side of the vehicle, locate the (2) factory threaded holes at the bottom of the outer frame channel and the single threaded hole at the bottom of the inner frame channel, (Fig 1A & 1B).

NOTE: The threaded holes may be filled with plastic plugs or filled with insulation. Remove plugs or insulation before proceeding.



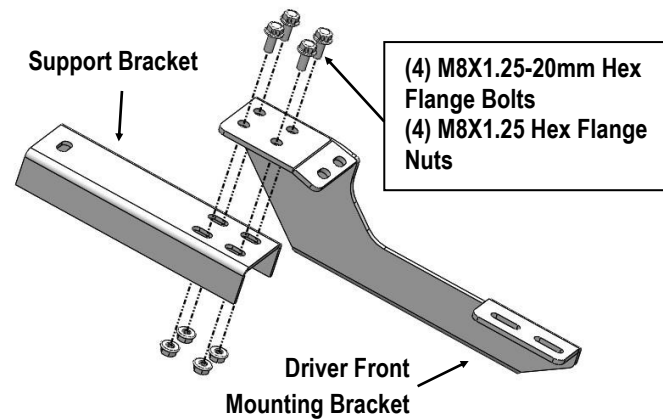
(Fig 1A) Driver Side Front Mounting Location
(Two Threaded holes on the outer frame channel)



(Fig 1B) Driver Side Front Support Mounting Location
(One threaded hole on the inner frame channel)

STEP 2

Assemble (1) Driver Front Mounting Bracket and (1) Driver Front Support Bracket together with the included (4) M8X1.25-20mm Hex Flange Bolts and (4) M8X1.25 Hex Flange Nuts, (Fig 2). Do not fully tighten hardware at this time.

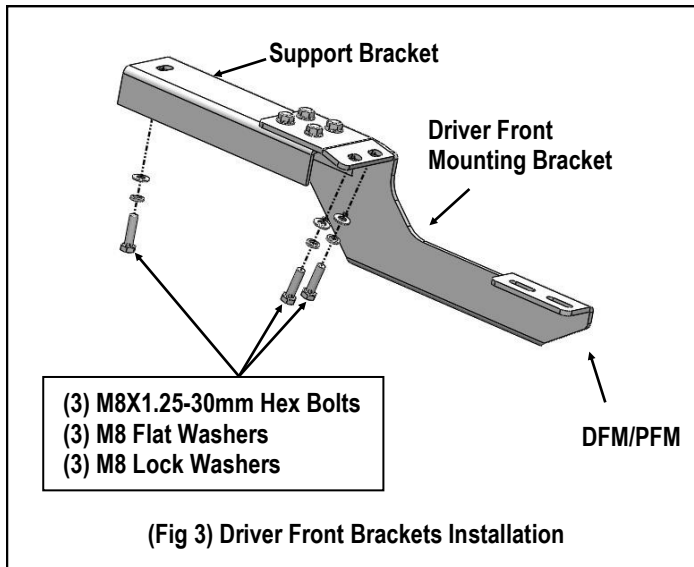


(Fig 2) Driver Front Brackets Assembly

STEP 3

Position the assembled driver front brackets to the vehicle. Attach the Driver Front Mounting Bracket to the (2) threaded holes (Fig 1A) by using the provided (2) M8X1.25-30mm Hex Bolts, (2) M8 Lock Washers and (2) M8 Flat Washers, (Fig 3).

Line up the slot at the end of the Support Bracket with the threaded hole on the inner frame channel. Bolt the Support Bracket to the threaded hole on frame channel (Fig 1B) with (1) M8X1.25-30mm Hex Bolt, (1) M8 Lock Washer and (1) M8 Flat Washer, (Fig 3). Do not fully tighten hardware at this time.

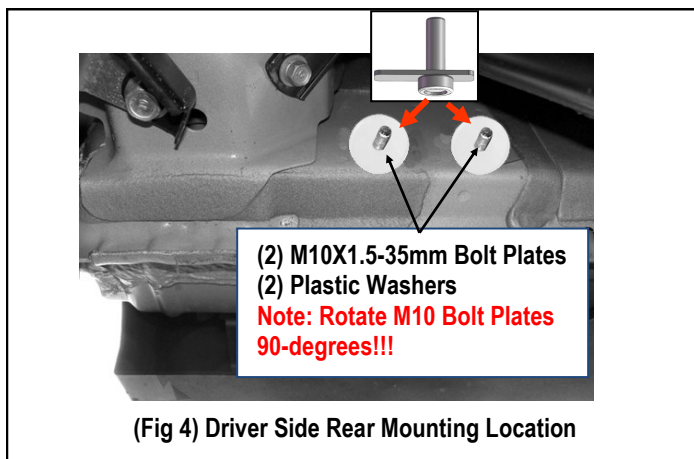


STEP 4

Move to the Driver Side Rear Mounting Location on the body panel, (Fig 4).

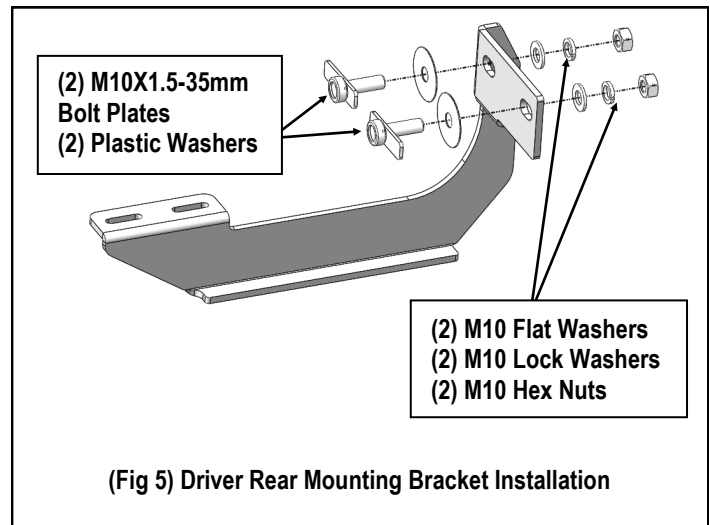
Thread (2) Plastic Washers onto (2) M10X1.5-35mm Bolt Plates. Insert the M10 Bolt Plates with Plastic Washer into the oval hole, and thread the Plastic Washers down against the body panel, (Fig 4). Rotate the M10 Bolt Plates 90-degrees to across the slot in the body panel.

IMPORTANT: The Plastic Washer is designed to prevent the M10 Bolt Plate from falling into the body cavity within Bracket installation.



STEP 5

Select (1) Driver Rear Mounting Bracket. Hang the Bracket onto the installed (2) M10 Bolt Plates and secure with (2) M10 Flat Washers, (2) M10 Lock Washers and (2) M10 Hex Nuts, (Fig 5). Do not fully tighten hardware at this time.



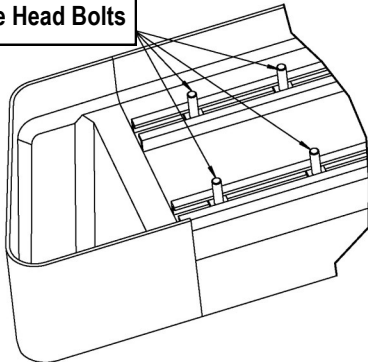
STEP 6

Once all (2) Mounting Brackets are installed. Select a Running Board. Slide (2) M6X1-20mm Square Head Bolts into each bottom channel (Fig 6). Carefully position the Running Board onto the (2) Mounting Brackets. Attach the Running Board to each Mounting Bracket with (2) M6X1-20mm Square Head Bolts, (2) M6 Large Flat Washers and (2) M6 Nylon Lock Nuts (Fig 7). Do not fully tighten at this time.

IMPORTANT: Do not slide the Running Board on the Brackets or the bottom surface of the board will be damaged.



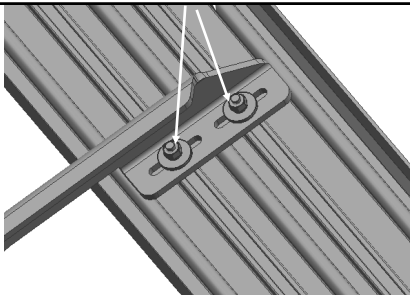
M6X1-20mm Square Head Bolts



(Fig 6) Slide M6X1-20mm Square Head Bolts Into The Bottom Channels

- (2) M6X1-20mm Square Head Bolts
- (2) M6 Large Flat Washers
- (2) M6 Nylon Lock Nuts

IMPORTANT: TORQUE FOR 6MM FASTNERS MUST LESS THAN 6-7 FT-LBS OR THE FASTNERS WILL BE DAMAGED!



(Fig 7) Running Board Installed Onto Mounting Bracket

STEP 7

Level and adjust the Running Board and fully tighten all hardware.

Important: Please follow the recommended Tightening Torques shown in the table on page 1. Don't over tighten, or the nuts/bolts will be damaged.

STEP 8

Repeat **Steps 1-7** for the other side Running Board installation. The installation is completed .

Attention

Do periodic inspections to the installation to make sure that all hardware is secure and tight.

In order to protect your bars/boards, please use mild soap/non-abrasive products for cleaning only.