



iBoard® by APS

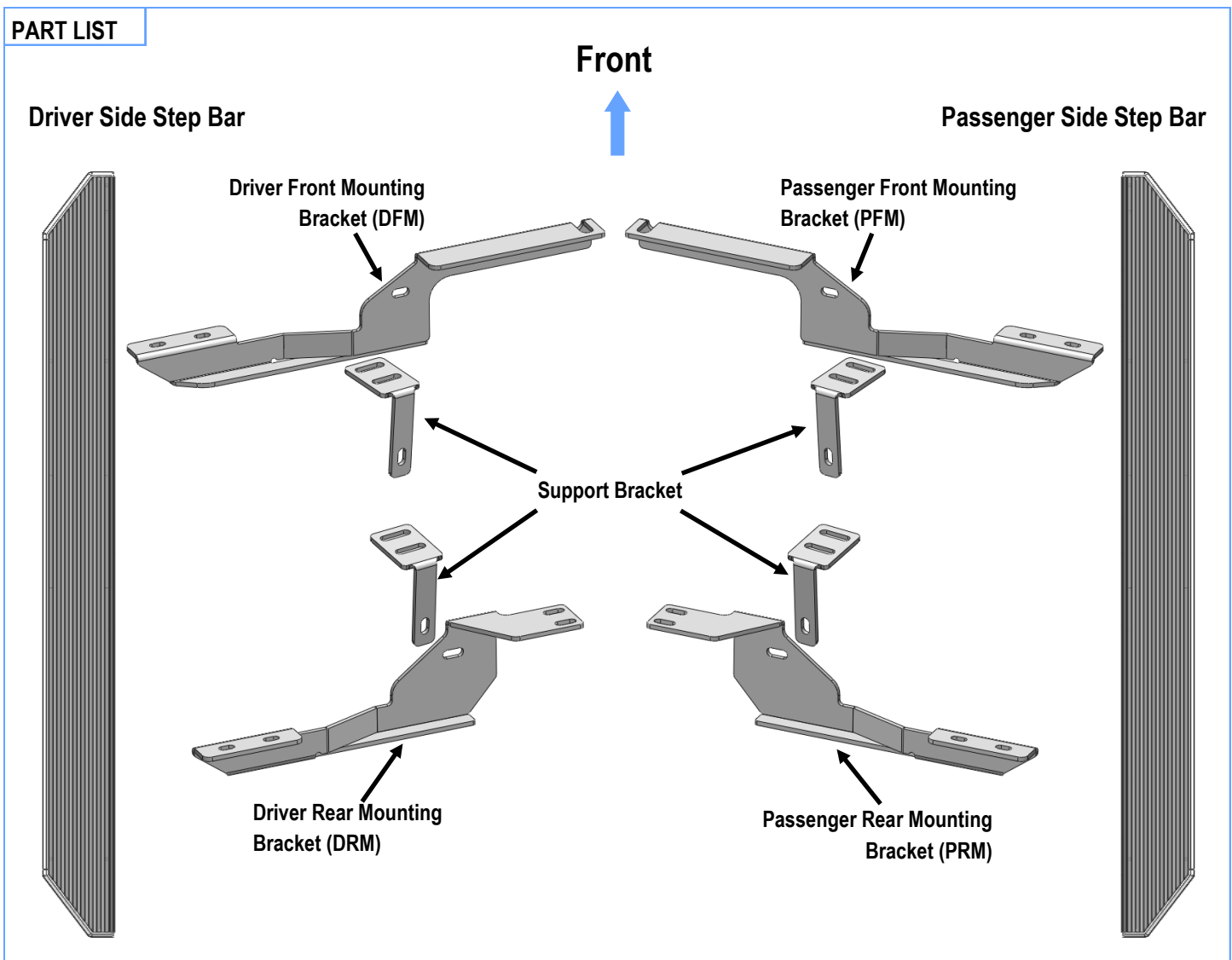
PART#: IB-P141C&J

READ INSTRUCTIONS CAREFULLY BEFORE STARTING INSTALLATION. REMOVE CONTENTS FROM BOX AND VERIFY ALL PARTS ARE PRESENT. ASSISTANCE IS RECOMMENDED.

*ROCKER PANEL MOUNT
*NO DRILLING REQUIRED

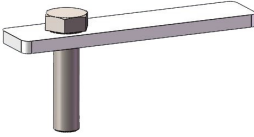

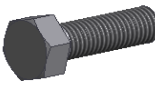
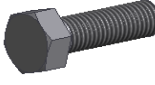


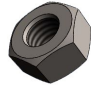
Fastener Size	Tightening Torque (ft-lbs)	Required
6mm	6-7	X
8mm	16-18	√
10mm	31-32	X
12mm	56-58	X
14mm	92-94	X

PART LIST

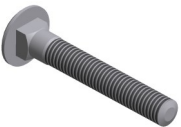







Hardware Package A (For Bucket Installation)					
Item	QTY	Description	Item	QTY	Description
1#	2	M8 Bolt Plates	5#	22	M8 Large Flat Washers
2#	2	M8 Plastic Washers	6#	18	M8 Lock Washers
3#	12	M8X1.25-40 Hex Bolts	7#	6	M8X1.25 Hex Nuts
4#	4	M8X1.25-30 Hex Bolts			

						
1#	2#	3#	4#	5#	6#	7#

Hardware Package B (For Step Bar Installation)					
Item	QTY	Description	Item	QTY	Description
1#	8	M8X1.25-35mm Carriage Bolts	3#	8	M8 Nylon Lock Nuts
2#	8	M8 Large Flat Washers	4#	4	Sliders (Packed with Mounting Brackets)

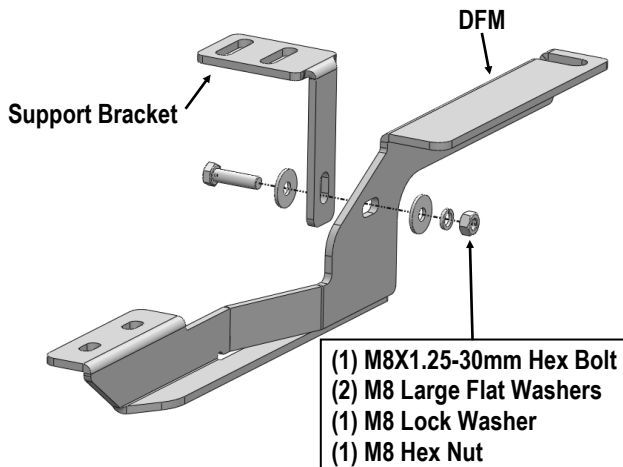
			
1 #	2 #	3 #	4 #



STEP 1

Start installation from the driver side front of the vehicle. Select (1) Support Bracket and (1) Driver Front Mounting Bracket (**DFM**), assemble with (1) M8X1.25-30mm Hex Bolt, (2) M8 Large Flat Washers, (1) M8 Lock Washer and (1) M8 Hex Nut, (**Fig 1**). Do not fully tighten hardware at this time.

Note: All (4) Support Brackets are universal.

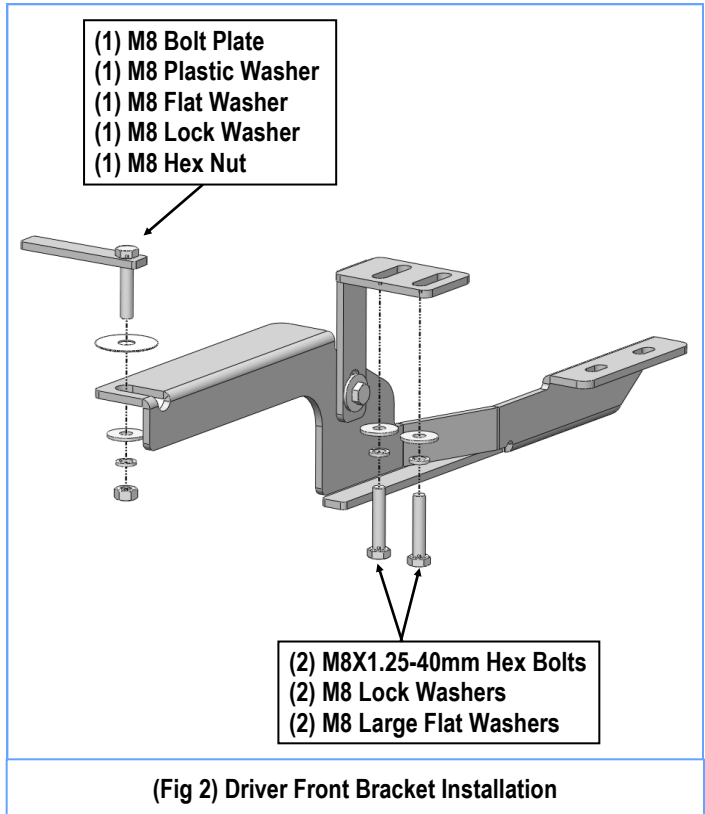


(Fig 1) Driver Front Brackets Assembly

STEP 2

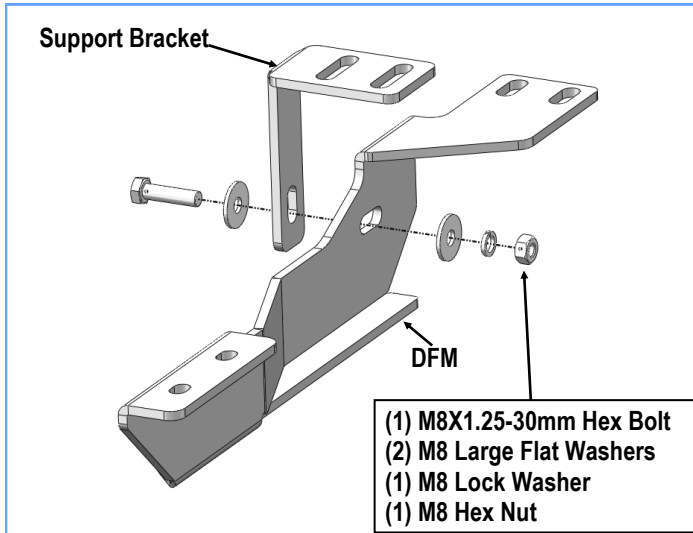
From underneath vehicle, place Driver Front Mounting Bracket (**DFM**) in position. Attach it to the frame with (1) M8 Bolt Plate, (1) M8 Plastic Washer, (1) M8 Large Flat Washer, (1) M8 Lock Washer, (1) M8 Hex Nut, (**Fig 2**). Do not fully tighten hardware at this time.

Attach Support Bracket to the frame with (2) M8X1.25-40mm Hex Bolts, (2) M8 Large Flat Washers and (2) M8 Lock Washers, (**Fig 2**). Do not fully tighten hardware at this time.

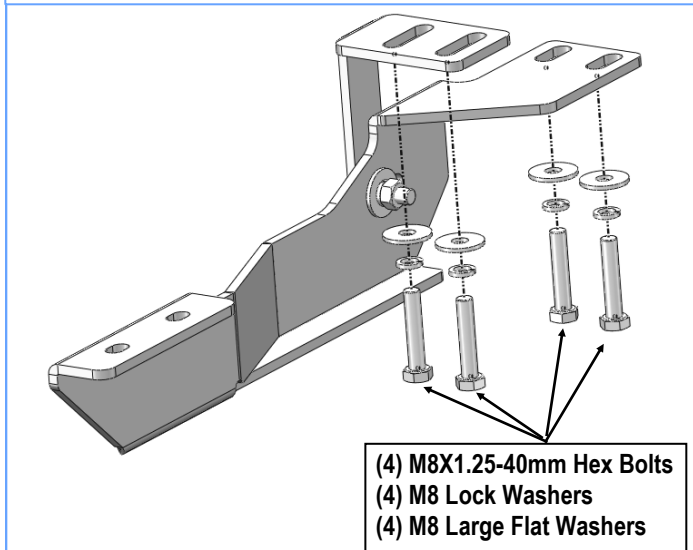


STEP 3

Move to the rear mounting location. Repeat **Step 1** for the Driver Rear Mounting Bracket (**DRM**) and the Support Bracket assembly, (**Fig 3**). Then, attach the assembled Driver Rear Bracket with (4) M8X1.25-40mm Hex Bolts, (4) M8 Large Flat Washers and (4) M8 Lock Washers, (**Fig 4**). Do not fully tighten hardware at this time.



(Fig 3) Driver Rear Brackets Assembly



(Fig 4) Driver Rear Bracket Installation

STEP 4

Once all (2) Driver side mounting brackets are installed, then proceed to the Step Bar installation. (Figs 5 & 6)

- (1) Select (1) Slider and (2) M8X1.25-35mm Carriage Bolts;
- (2) Install (2) M8X1.25-35mm Carriage Bolts in (1) Slider.
- (3) Slide the Slider (with carriage bolts) to the **Step Bar**.
- (4) Repeat to install the other (1) slider to the step bar.
- (5) Attach the Step Bar (with the Sliders) onto the installed mounting brackets. Position the Sliders to the installed brackets. Secure the Step Bar to the installed Brackets by using (4) M8 Large Flat Washers and (4) M8 Nylon Lock Nuts and (2) Sliders, (Fig 6). Do not fully tighten hardware at this time.

Note: The Sliders are packed with the Mounting Brackets.

Level and adjust the Step Bar and fully tighten all hardware.

Repeat **Steps 1-4** for the other side Step Bar installation. **The installation is completed!!!**

Attention

Do periodic inspections to the installation to make sure that all hardware is secure and tight.

In order to protect your bars/boards, please use mild soap/non-abrasive products for cleaning only.

