



PART#: IB-P123Y&H

iBoard® Series

READ INSTRUCTIONS CAREFULLY BEFORE START ING INSTALLATION. REMOVE CONTENTS FROM BOX AND VERIFY ALL PARTS ARE PRESENT. ASSISTANCE IS RECOMMENDED.

| Fastener Size | Tightening Torque (ft-lbs) | Required |
|---------------|----------------------------|----------|
| 6mm | 6-7 | X |
| 8mm | 16-18 | √ |
| 10mm | 31-32 | √ |
| 12mm | 56-58 | X |
| 14mm | 92-94 | X |

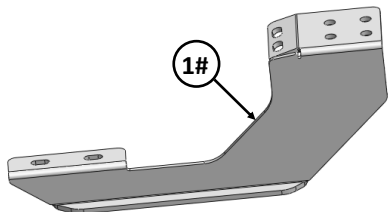
*ROCKER PANEL MOUNT
*NO DRILLING REQUIRED

PART LIST

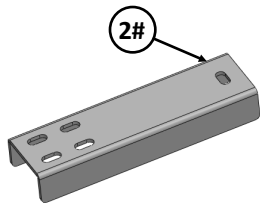
Driver Side Step Bar

Front

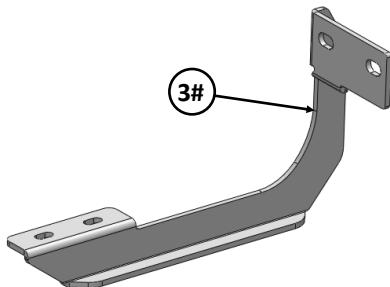
Passenger Side Step Bar



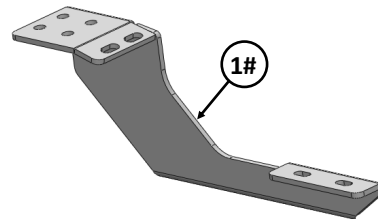
1#



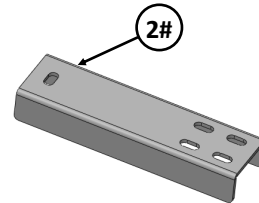
2#



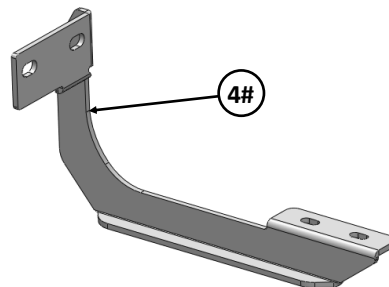
3#



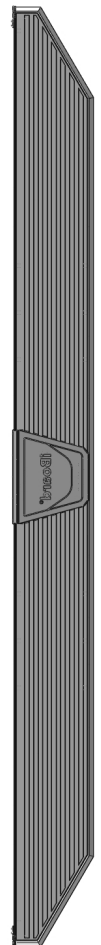
1#



2#

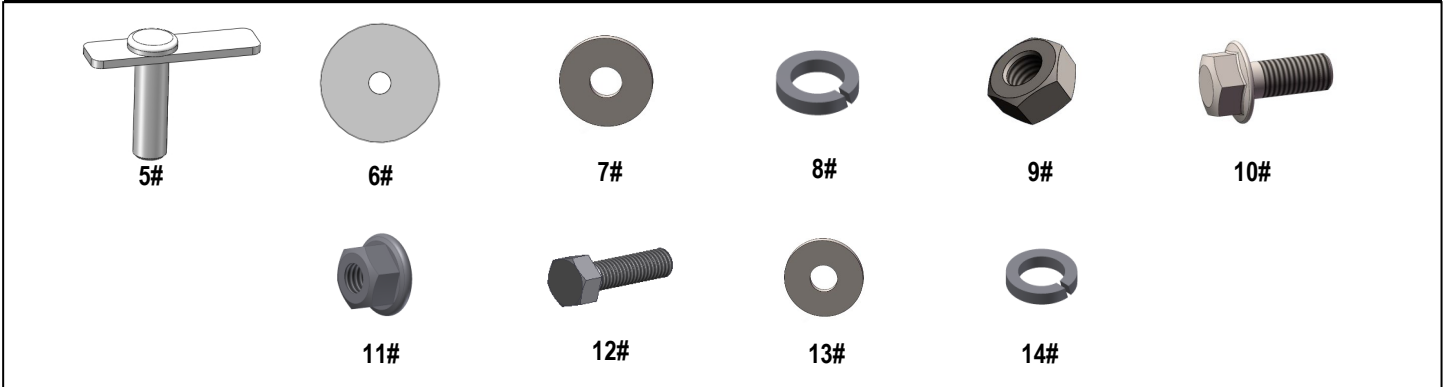


4#

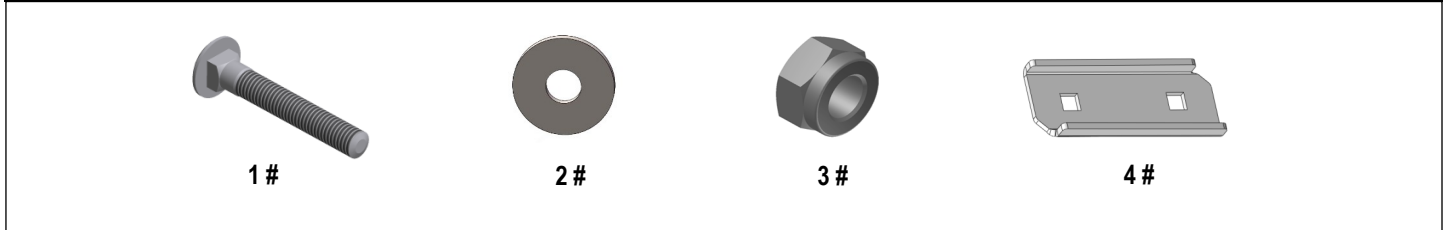




| Hardware Package A (For Bracket Installation) | | | | | |
|---|-----|--|------|-----|-------------------------------|
| Item | QTY | Description | Item | QTY | Description |
| 1# | 2 | Driver / Passenger Front Mounting Brackets | 8# | 4 | M10 Lock Washers |
| 2# | 2 | Driver / Passenger Front Support Brackets | 9# | 4 | M10X1.5 Hex Nuts |
| 3# | 1 | Driver Rear Mounting Bracket | 10# | 8 | M8X1.25-20mm Hex Flange Bolts |
| 4# | 1 | Passenger Rear Mounting Bracket | 11# | 8 | M8X1.25 Hex Flange Nuts |
| 5# | 4 | M10X1.5-35mm Bolt Plates | 12# | 6 | M8X1.25-30mm Hex Bolts |
| 6# | 4 | M10 Plastic Washers | 13# | 6 | M8 Flat Washers |
| 7# | 4 | M10 Flat Washers | 14# | 6 | M8 Lock Washers |



| Hardware Package B (For Step Bar Installation) | | | | | |
|--|-----|-----------------------------|------|-----|---|
| Item | QTY | Description | Item | QTY | Description |
| 1# | 8 | M8X1.25-35mm Carriage Bolts | 3# | 8 | M8 Nylon Lock Nuts |
| 2# | 8 | M8 Large Flat Washers | 4# | 4 | Sliders (Packed with Mounting Brackets) |

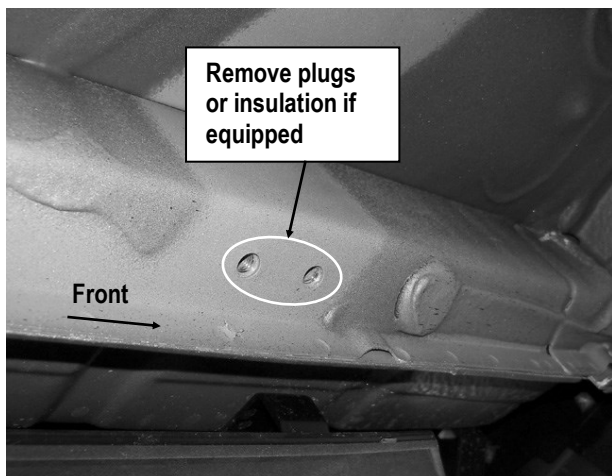




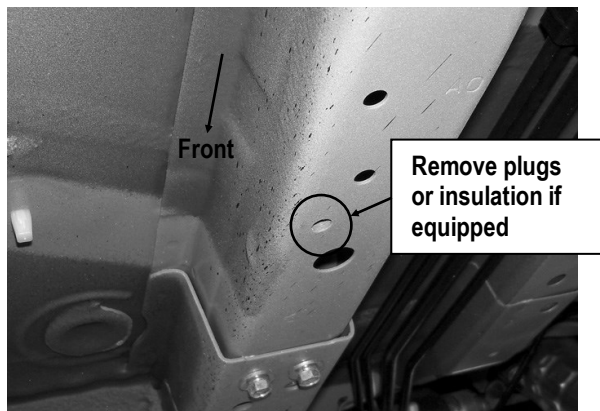
STEP 1

Starting from the driver side of the vehicle, locate the (2) factory threaded holes at the bottom of the outer frame channel and the single threaded hole at the bottom of the inner frame channel, (Fig 1A & 1B).

NOTE: The threaded holes may be filled with plastic plugs or filled with insulation. Remove plugs or insulation before proceeding.



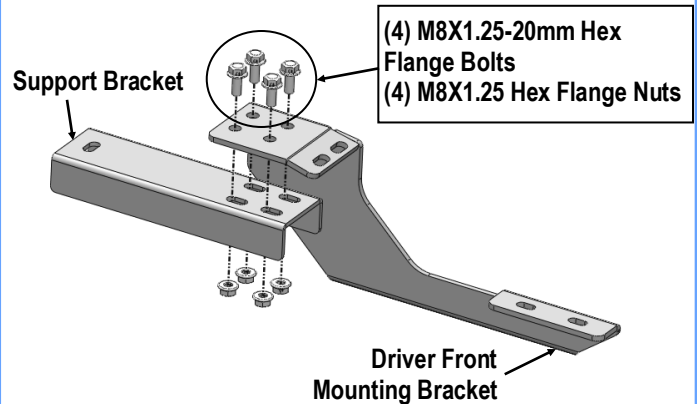
(Fig 1A) Driver Side Front Mounting Location
(Two Threaded holes on the outer frame channel)



(Fig 1B) Driver Side Front Support Mounting Location
(One threaded hole on the inner frame channel)

STEP 2

Assemble (1) Driver Front Mounting Bracket and (1) Driver Front Support Bracket together with the included (4) M8X1.25-20mm Hex Flange Bolts and (4) M8X1.25 Hex Flange Nuts, (Fig 2). Do not fully tighten hardware at this time.

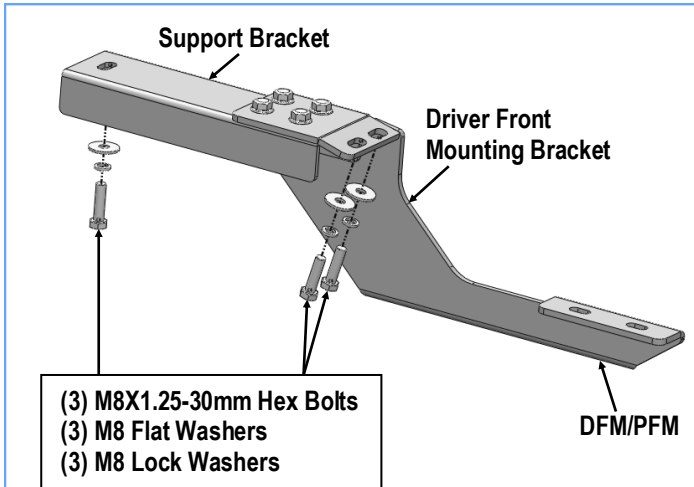


(Fig 2) Driver Front Brackets Assembly

STEP 3

Position the assembled driver front brackets to the vehicle. Attach the Driver Front Mounting Bracket to the (2) threaded holes (Fig 1A) by using the provided (2) M8X1.25-30mm Hex Bolts, (2) M8 Lock Washers and (2) M8 Flat Washers, (Fig 3).

Line up the slot at the end of the Support Bracket with the threaded hole on the inner frame channel. Bolt the Support Bracket to the threaded hole on frame channel (Fig 1B) with (1) M8X1.25-30mm Hex Bolt, (1) M8 Lock Washer and (1) M8 Flat Washer, (Fig 3). Do not fully tighten hardware at this time.



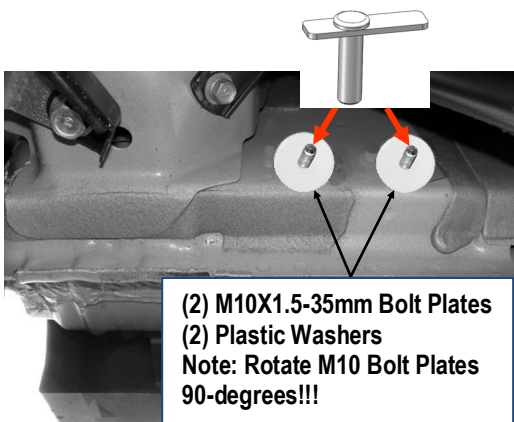
(Fig 3) Driver Front Brackets Installation

STEP 4

Move to the Driver Side Rear Mounting Location on the body panel, (Fig 4).

Thread (2) M10 Plastic Washers onto (2) M10X1.5-35mm Bolt Plates. Insert the M10 Bolt Plates with Plastic Washer into the oval hole, and thread the Plastic Washers down against the body panel, (Fig 4). Rotate the M10 Bolt Plates 90-degrees to across the slot in the body panel.

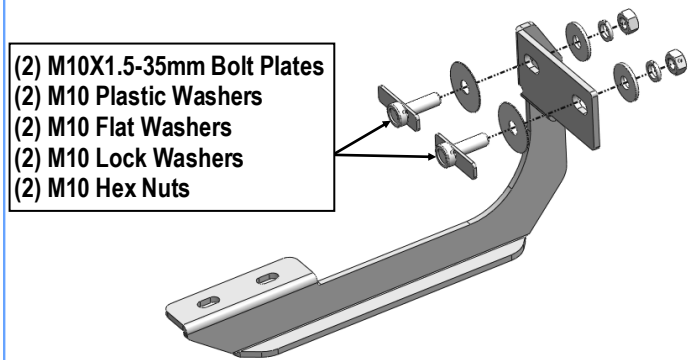
IMPORTANT: The Plastic Washer is designed to prevent the M10 Bolt Plate from falling into the body cavity within Bracket installation.



(Fig 4) Driver Side Rear Mounting Location

STEP 5

Select (1) Driver Rear Mounting Bracket. Hang the Bracket onto the installed (2) M10 Bolt Plates and secure with (2) M10 Flat Washers, (2) M10 Lock Washers and (2) M10 Hex Nuts, (Fig 5). Do not fully tighten hardware at this time.



(Fig 5) Driver Rear Mounting Bracket Installation

STEP 6

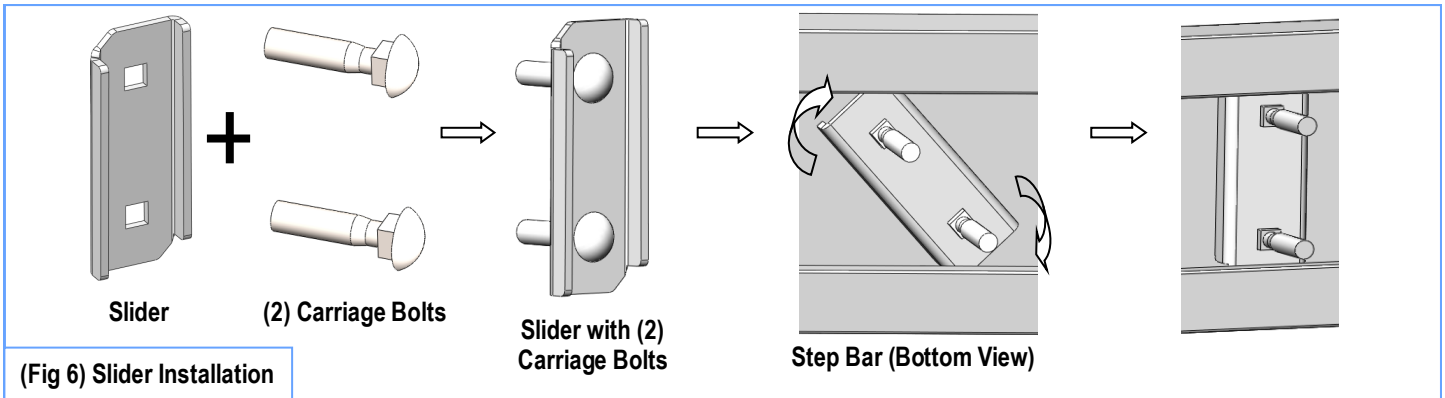
Once all (2) Driver side mounting brackets are installed, then proceed to the Step Bar installation. (Figs 6 & 7)

- (1) Select (1) Slider and (2) M8X1.25-35mm Carriage Bolts;
- (2) Install (2) M8X1.25-35mm Carriage Bolts in (1) Slider.
- (3) Slide the Slider (with carriage bolts) to the **Step Bar**.
- (4) Repeat to install the other (1) slider to the step bar.
- (5) Attach the Step Bar (with the Sliders) onto the installed mounting brackets. Position the Sliders to the installed brackets. Secure the Step Bar to the installed Brackets by using (4) M8 Large Flat Washers and (4) M8 Nylon Lock Nuts and (2) Sliders, (Fig 7). Do not fully tighten hardware at this time.

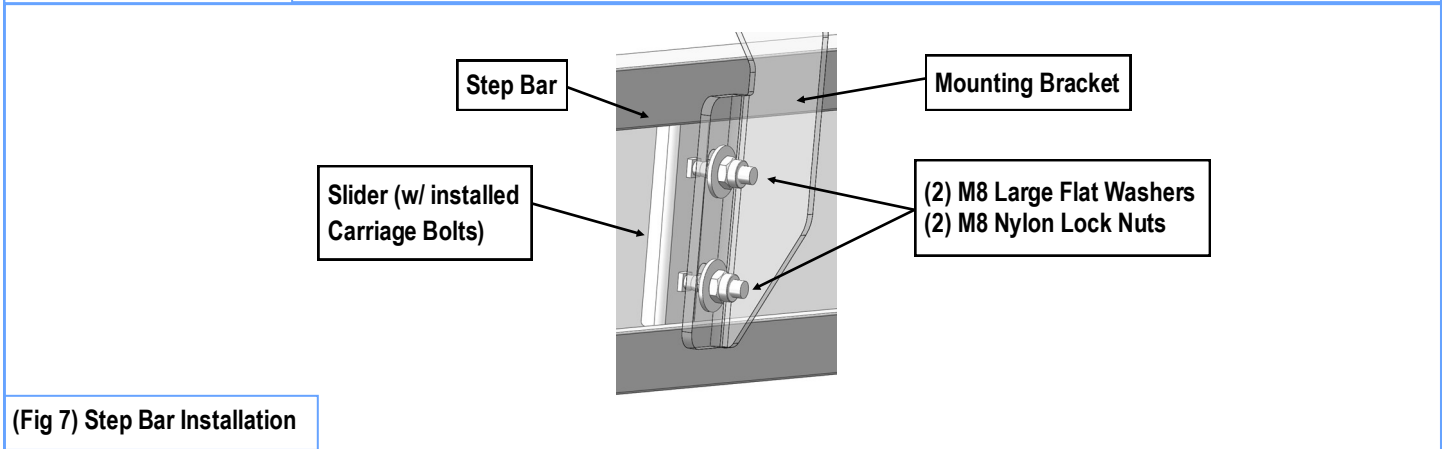
Note: The Sliders are packed with the Mounting Brackets.

Level and adjust the Step Bar and fully tighten all hardware.

Repeat **Steps 1-6** for the other side Step Bar installation. **The installation is completed!!!**



(Fig 6) Slider Installation



(Fig 7) Step Bar Installation

Attention

Do periodic inspections to the installation to make sure that all hardware is secure and tight.
In order to protect your bars/boards, please use mild soap/non-abrasive products for cleaning only.