

# iBoard®



Scan for  
Installation Video

## iBoard® by APS

PART#: IB-363C&H

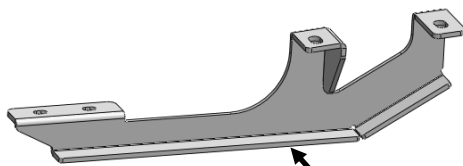
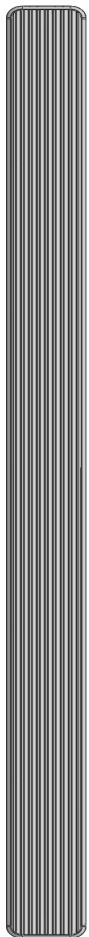
READ INSTRUCTIONS CAREFULLY BEFORE STARTING INSTALLATION. REMOVE CONTENTS FROM BOX AND VERIFY ALL PARTS ARE PRESENT. ASSISTANCE IS RECOMMENDED.

\*ROCKER PANEL MOUNT  
\*NO DRILLING REQUIRED

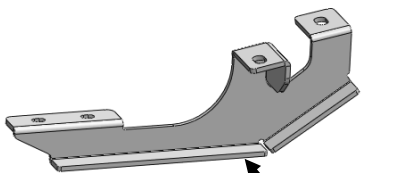
Fastener Size	Tightening Torque (ft-lbs)	Required
6mm	6-7	X
8mm	16-18	√
10mm	31-32	√
12mm	56-58	X
14mm	92-94	X

### PART LIST

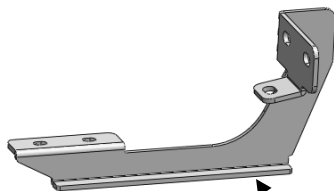
#### Driver Side Step Bar



Driver Front Mounting Bracket (DFM)



Driver Center Mounting Bracket (DCM)

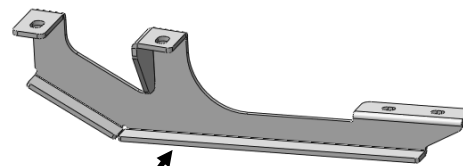
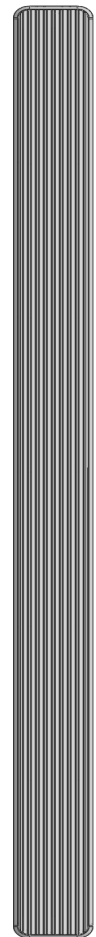


Driver Rear Mounting Bracket (DRM)

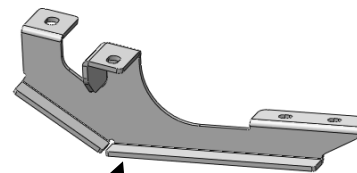
Front



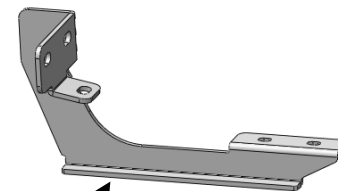
#### Passenger Side Step Bar



Passenger Front Mounting Bracket (PFM)



Passenger Center Mounting Bracket (PCM)



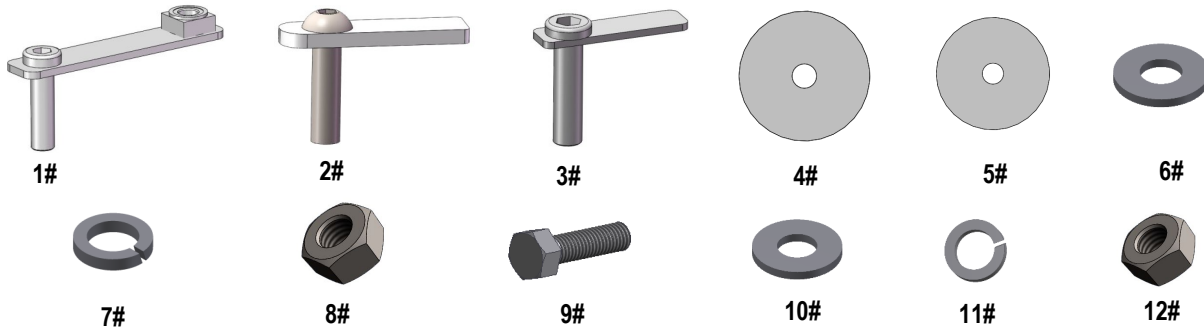
Passenger Rear Mounting Bracket (PRM)

Customer Support: [info@iboardauto.com](mailto:info@iboardauto.com)



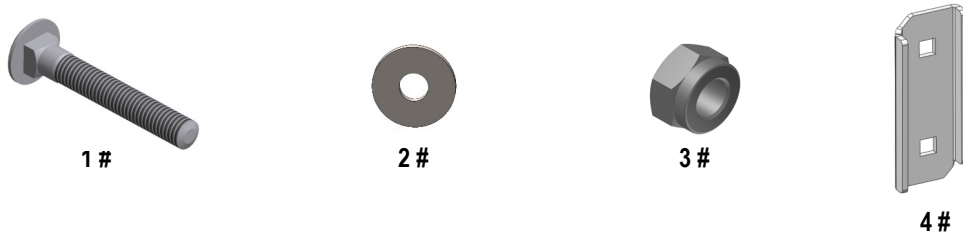
## Hardware Package A (For Bracket Installation)

Item	QTY	Description	Item	QTY	Description
1#	2	M8 Bolt/Nut Plates	7#	4	M10 Lock Washers
2#	2	M10X40 Long Bolt Plates	8#	4	M10 Hex Nuts
3#	2	M10X35 Short Bolt Plates	9#	8	M8X1.25-30mm Hex Bolts
4#	4	M10 Plastic Washers	10#	10	M8 Large Flat Washers
5#	2	M8 Plastic Washer	11#	10	M8 Lock Washers
6#	4	M10 Large Flat Washers	12#	2	M8 Hex Nuts



## Hardware Package B (For Stainless Steel Step Bar Installation)

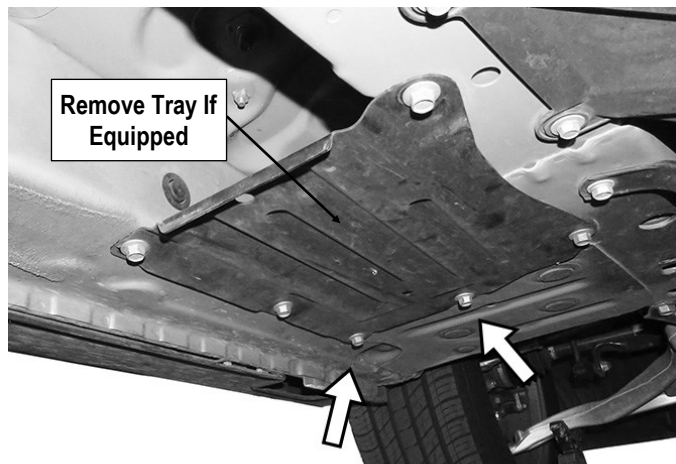
Item	QTY	Description	Item	QTY	Description
1#	12	M8X1.25-35mm Carriage Bolts	3#	12	M8 Nylon Lock Nuts
2#	12	M8 Large Flat Washers	4#	6	Sliders (Packed with Step Bars)





## STEP 1

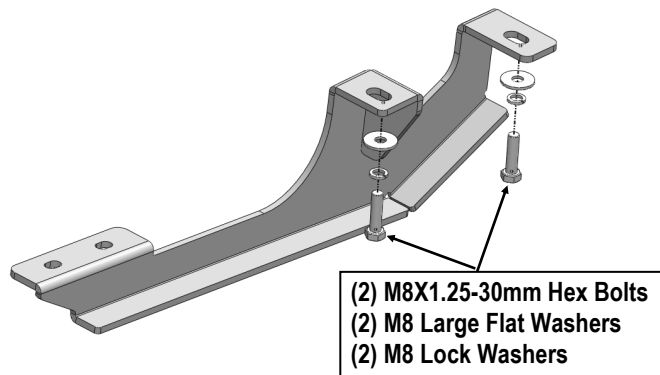
Start installation from the driver side front of the vehicle. Locate the (2) factory 8mm threaded holes located in the bottom of the floor panel, (**Fig 1**). **NOTE:** Trays must be removed on models equipped with undertray and will not be reinstalled. Threaded holes may be covered with insulation. Clean mounting locations as required for proper bracket installation.



(Fig 1) Driver Side Front Mounting Location

## STEP 2

Select the Driver Front Mounting Bracket (**DFM**). Attach to the (2) factory threaded holes with (2) M8X1.25-30mm Hex Bolts, (2) M8 Large Flat Washers and (2) M8 Lock Washers, (**Figs 2 & 3**). Do not fully tighten hardware at this time.



(Fig 2) Driver Side Front Mounting Bracket Installation

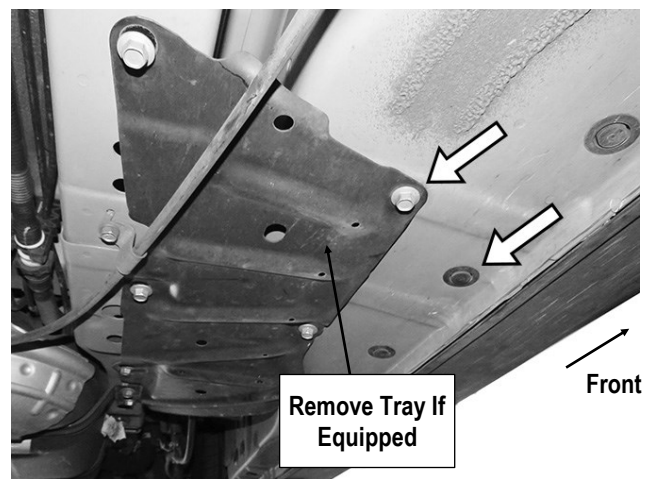


(Fig 3) Driver Side Front Mounting Bracket Installed

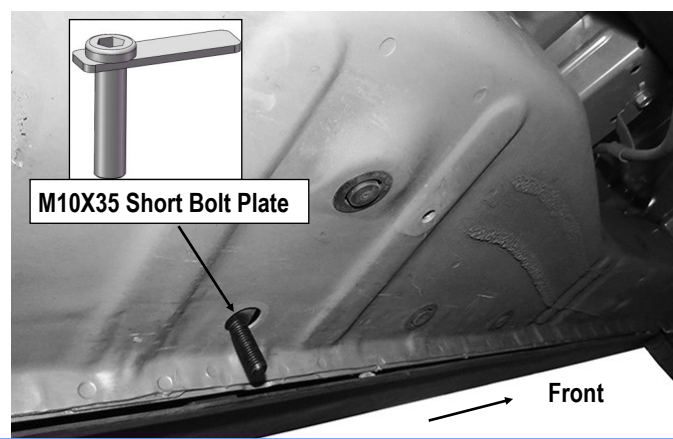
## STEP 3

Move to the center of the vehicle. Locate the threaded hole and rubber plugs in the bottom of the floor panel, (**Fig 4**). Remove the tray if equipped. Remove the outer rubber plug. Select (1) M10X35 Short Bolt Plate and (1) M10 Plastic Washer, (**Figs 5 & 6**). Thread the M10 Plastic Washer part way onto the Bolt Plate. Insert the Bolt Plate into the round hole and tighten the Plastic Washer down until it is tight against the floor panel.

**NOTE:** Plastic Washer is designed to help hold the Bolt Plate in place during Bracket installation.



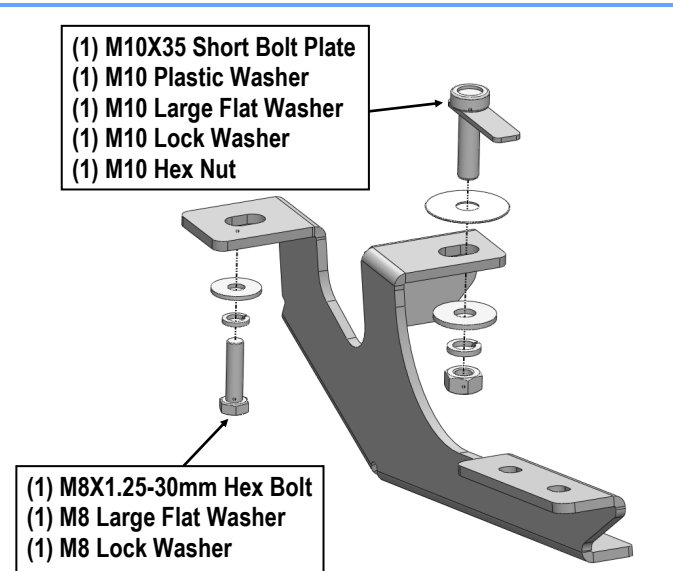
(Fig 4) Driver Side Center Mounting Location



(Fig 5) Remove Rubber Plug  
Insert M10X35 Short Bolt Plate Into Round Hole

## STEP 4

Select the Driver Center Mounting Bracket (DCM). Attach the Bracket to the threaded hole with (1) M8X1.25-30mm Hex Bolt, (1) M8 Large Flat Washer and (1) M8 Lock Washer, (Figs 6 & 7). Attach the Bracket to the M10X35 Short Bolt Plate with (1) M10 Large Flat Washer, (1) M10 Lock Washer and (1) M10 Hex Nut, (Figs 6 & 7). Do not fully tighten hardware at this time.



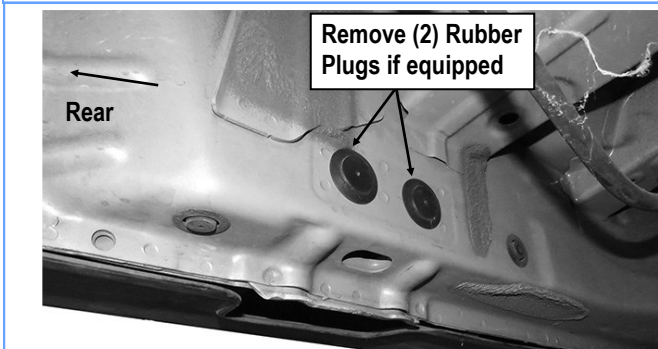
(Fig 6) Driver Side Center Mounting Bracket Installation



(Fig 7) Driver Side Center Mounting Bracket Installed

## STEP 5

Move to the rear of the vehicle. Locate the oval hole in the bottom and (2) round holes in the inner side of the floor panel, (Fig 8). Remove the rubber plugs if equipped.



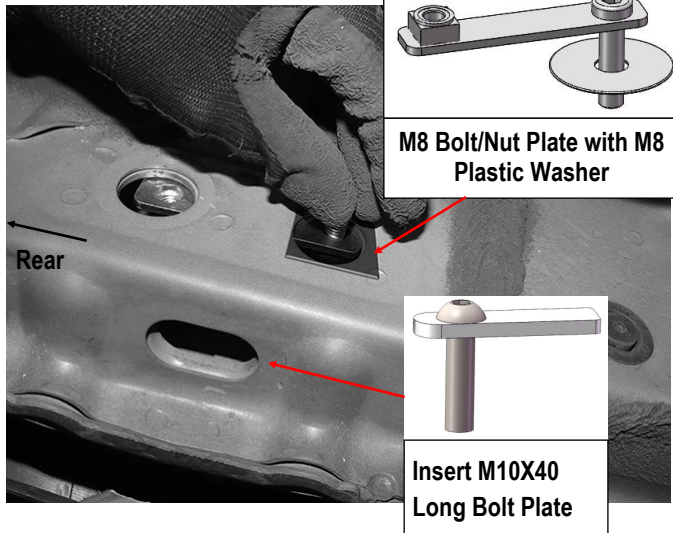
(Fig 8) Driver Side Rear Mounting Location

## STEP 6

Select (1) M8 Bolt/Nut Plate and (1) M8 Plastic Washer. Thread the Plastic Washer part way onto the Bolt. Insert the nut end of the Bolt/Nut Plate into one round hole and line it up with the 2nd round hole. Tighten the Plastic Washer down until it is tight against the floor panel, (Fig 9).

Select (1) M10X40 Long Bolt Plate and (1) M10 Plastic Washer. Thread the Plastic Washer part way onto the Long Bolt Plate. Insert the Long Bolt Plate into the oval hole and tighten the Plastic Washer down until it is tight against the floor panel.





(Fig 9) Driver Side Rear Mounting Location



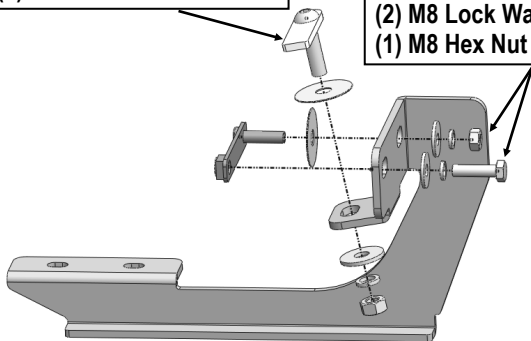
(Fig 11) Driver Side Rear Mounting Bracket Installed

## STEP 7

Select the Driver Rear Mounting Bracket (**DRM**). Attach the Bracket to the bottom M10X40 Long Bolt Plate with (1) M10 Large Flat Washer, (1) M10 Lock Washer and (1) M10 Hex Nut, (**Figs 10 & 11**). Attach the Bracket to the 8mm Bolt/Nut Plate with (1) M8X1.25-30mm Hex Bolt, (2) M8 Large Flat Washers, (2) M8 Lock Washers and (1) M8 Hex Nut, (**Figs 10 & 11**). Do not fully tighten hardware at this time.

- (1) M10X40 Long Bolt Plate
- (1) M10 Plastic Washer
- (1) M10 Large Flat Washer
- (1) M10 Lock Washer
- (1) M10 Hex Nut

- (1) M8 Bolt/Nut Plate
- (1) M8 Plastic Washer
- (1) M8X1.25-30mm Hex Bolt
- (2) M8 Large Flat Washers
- (2) M8 Lock Washers
- (1) M8 Hex Nut



(Fig 10) Driver Side Rear Mounting Bracket Installation

## STEP 8

Once all (3) Driver side mounting brackets are installed, then proceed to the Step Bar installation. (**Figs 12 & 13**)

- (1) Select (1) Slider and (2) M8X1.25-35mm Carriage Bolts;
- (2) Install (2) M8X1.25-35mm Carriage Bolts in (1) Slider.
- (3) Slide the Slider (with carriage bolts) to the **Step Bar**.
- (4) Repeat to install the other (2) sliders to the step bar.

(5) Attach the Step Bar (with the Sliders) onto the installed mounting brackets. Position the Sliders to the installed brackets. Secure the Step Bar to the installed Brackets by using (6) M8 Large Flat Washers and (6) M8 Nylon Lock Nuts and (3) Sliders, (**Fig 13**). Do not fully tighten hardware at this time.

**Note:** The Sliders are packed with the Step Bars.

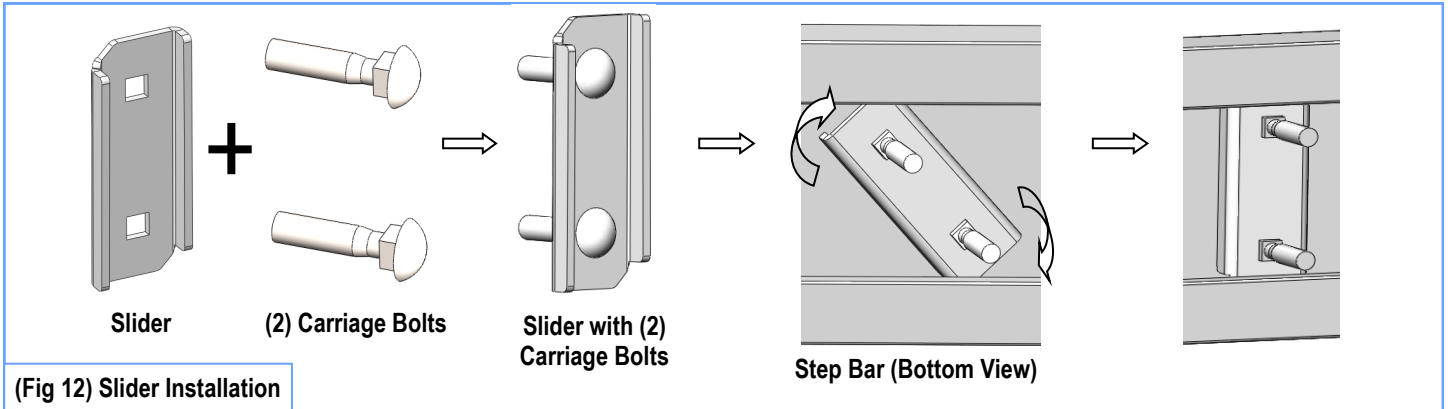
Level and adjust the Step Bar and fully tighten all hardware.

Repeat **Steps 1-8** for the other side Step Bar installation. **The installation is completed!!!**

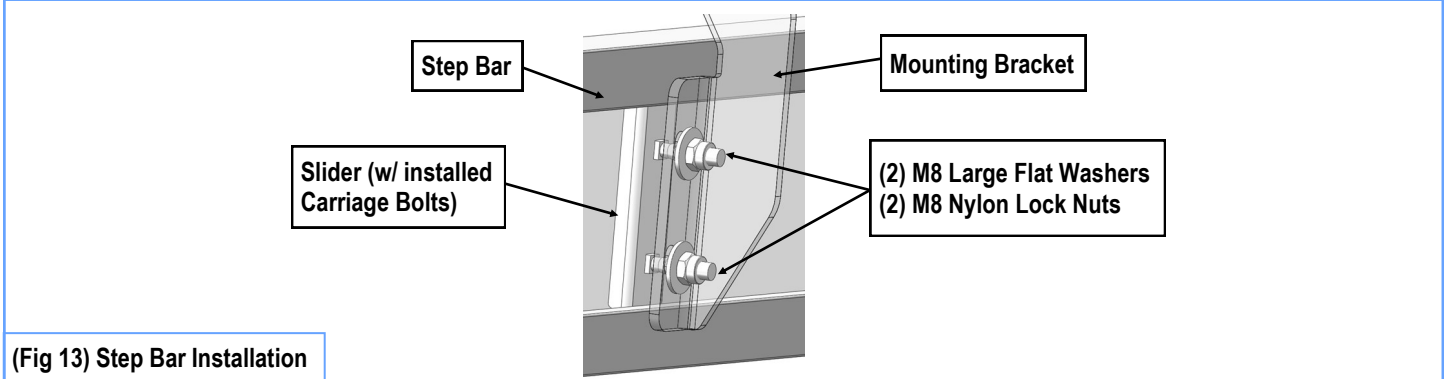
### Attention

Do periodic inspections to the installation to make sure that all hardware is secure and tight.

In order to protect your bars/boards, please use mild soap/non-abrasive products for cleaning only.



(Fig 12) Slider Installation



(Fig 13) Step Bar Installation