

iBoard®

iBoard® by APS

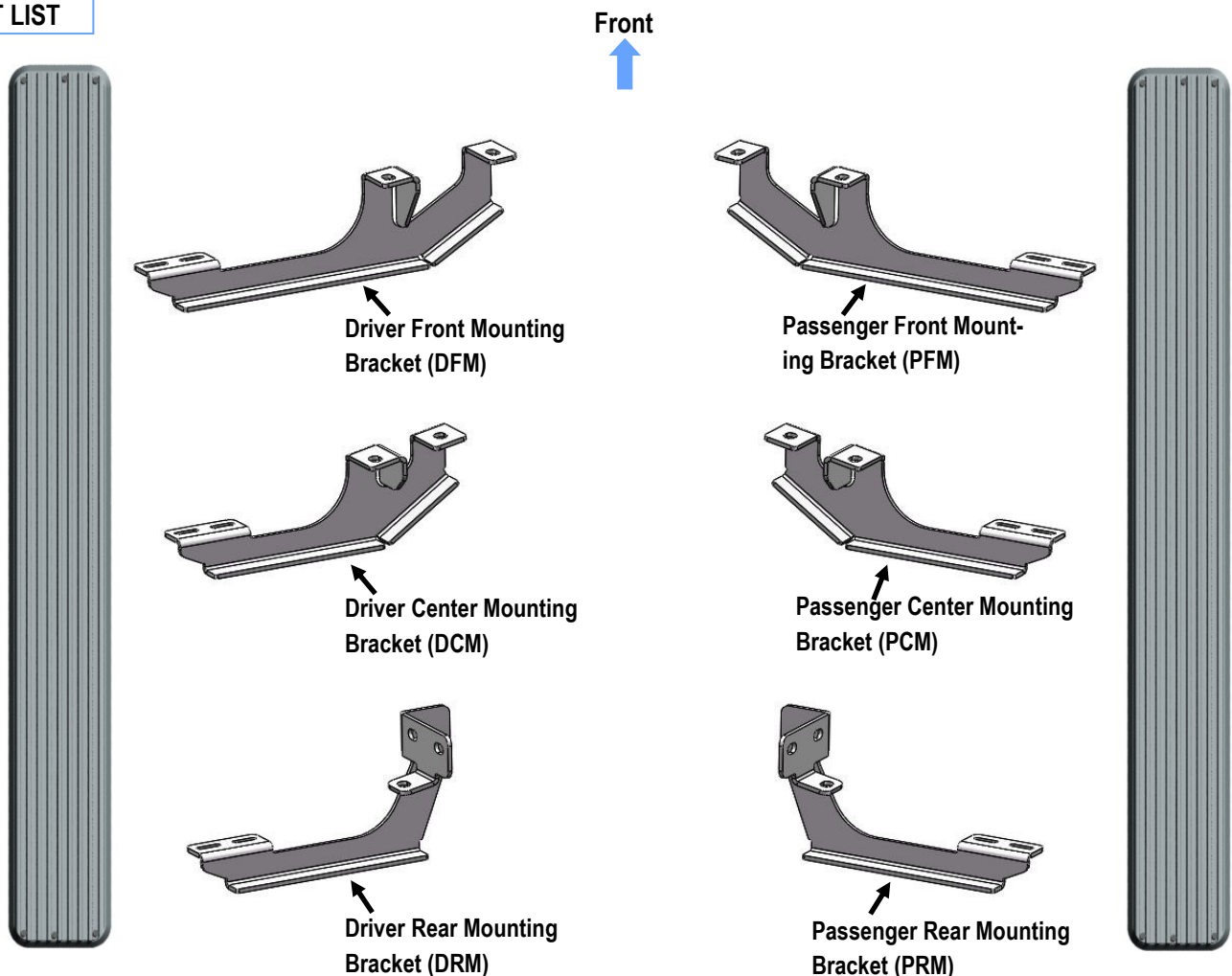
PART#: IB-363

READ INSTRUCTIONS CAREFULLY BEFORE STARTING INSTALLATION. REMOVE CONTENTS FROM BOX AND VERIFY ALL PARTS ARE PRESENT. ASSISTANCE IS RECOMMENDED.

*BODY FRAME MOUNT
*NO DRILLING REQUIRED

Fastener Size	Tightening Torque (ft-lbs)	Required
6mm	6-7	√
8mm	16-18	√
10mm	31-32	√
12mm	56-58	X
14mm	92-94	X

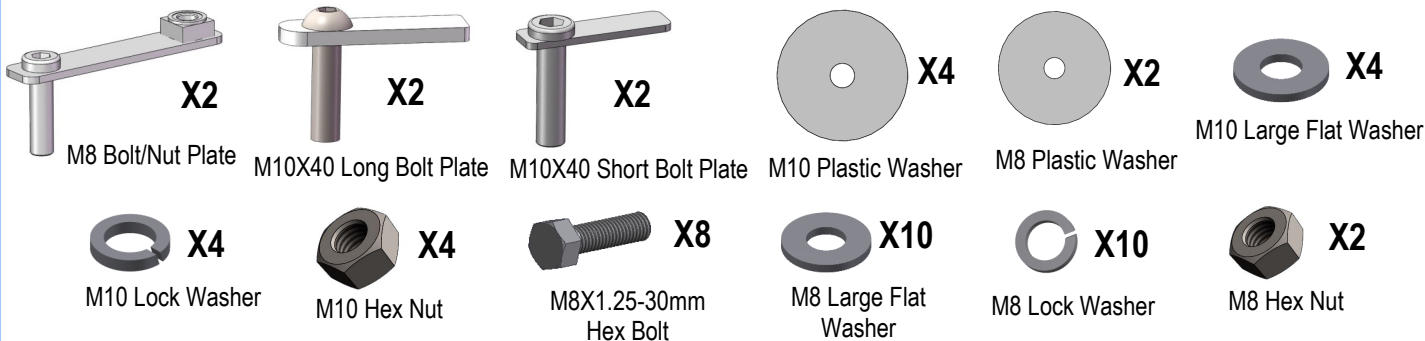
PART LIST



Customer Support: info@iboardauto.com

iBoard®

Hardware Package A (For Bracket Installation)



Hardware Package B (For Aluminum Step Bar Installation Only, Not Supply to Stainless Steel Step Bar)

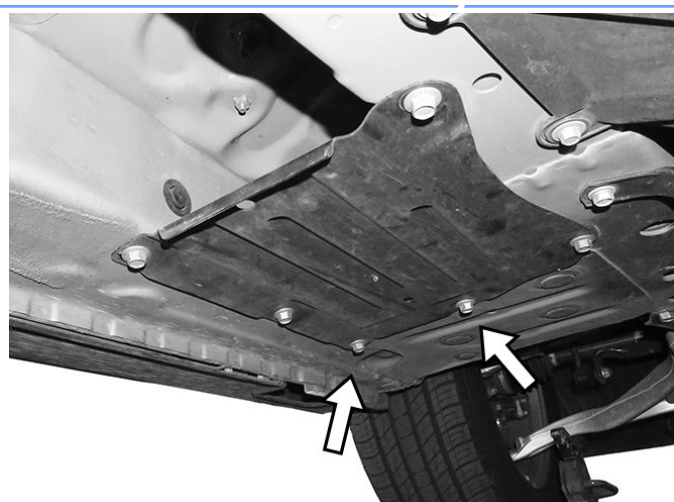


Hardware Package C (For Stainless Steel Step Bar Installation Only, Not Supply to Aluminum Step Bar)



STEP 1

Start installation from the driver side front of the vehicle. Locate the (2) factory 8mm threaded holes located in the bottom of the floor panel, (Fig 1). **NOTE:** Trays must be removed on models equipped with undertray and will not be reinstalled. Threaded holes may be covered with insulation. Clean mounting locations as required for proper Bracket installation.

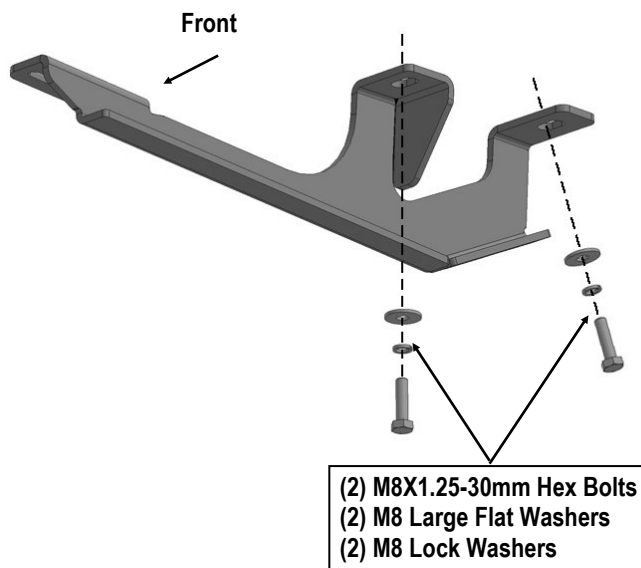


(Fig 1) Driver Side Front Mounting Location Pictured

iBoard®

STEP 2

Select the Driver Front Mounting Bracket (**DFM**). Attach to the (2) factory threaded holes with (2) M8X1.25-30mm Hex Bolts, (2) M8 Large Flat Washers and (2) M8 Lock Washers, (**Figs 2 & 3**). Do not fully tighten hardware at this time.



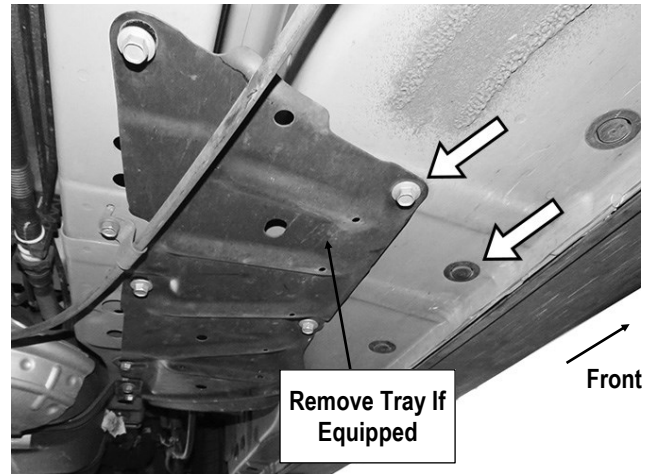
(Fig 2) Driver Side Front Mounting Bracket Installation



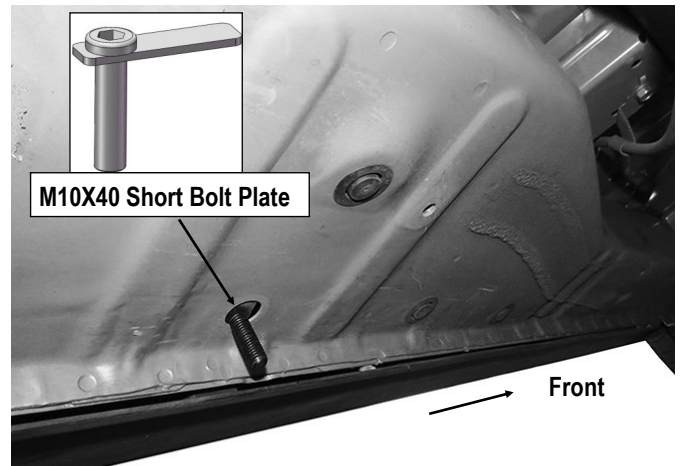
(Fig 3) Driver Side Front Mounting Bracket Installation

STEP 3

Move to the center of the vehicle. Locate the threaded hole and rubber plugs in the bottom of the floor panel, (**Fig 4**). Remove the tray if equipped. Remove the outer rubber plug. Select (1) M10X40 Short Bolt Plate and (1) M10 Plastic Washer, (**Figs 5 & 6**). Thread the M10 Plastic Washer part way onto the Bolt Plate. Insert the Bolt Plate into the round hole and tighten the Plastic Washer down until it is tight against the floor panel. **NOTE:** Plastic Washer is designed to help hold the Bolt Plate in place during Bracket installation. Use is not mandatory for installation.



(Fig 4) Driver Side Center Mounting Location Pictured

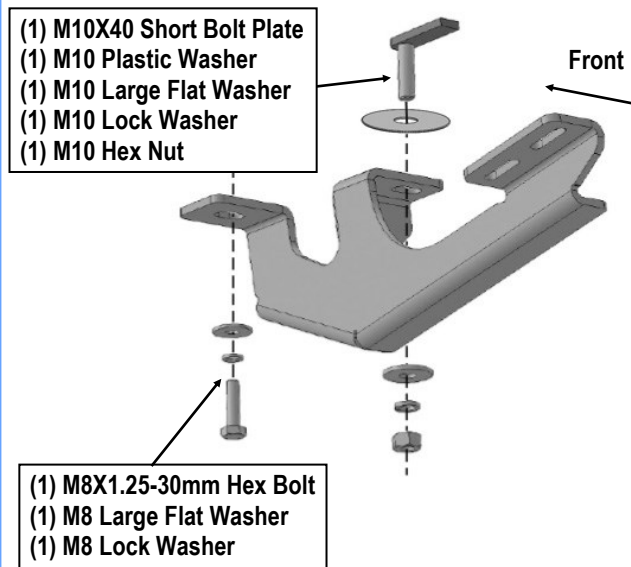


(Fig 5) Remove Rubber Plug
Insert M10X40 Short Bolt Plate Into Round Hole

iBoard®

STEP 4

Select the Driver Center Mounting Bracket (DCM). Attach the Bracket to the threaded hole with (1) M8X1.25-30mm Hex Bolt, (1) M8 Large Flat Washer and (1) M8 Lock Washer, (Figs 6 & 7). Attach the Bracket to the M10X40 Short Bolt Plate with (1) M10 Large Flat Washer, (1) M10 Lock Washer and (1) M10 Hex Nut, (Figs 6 & 7). Do not fully tighten hardware at this time.



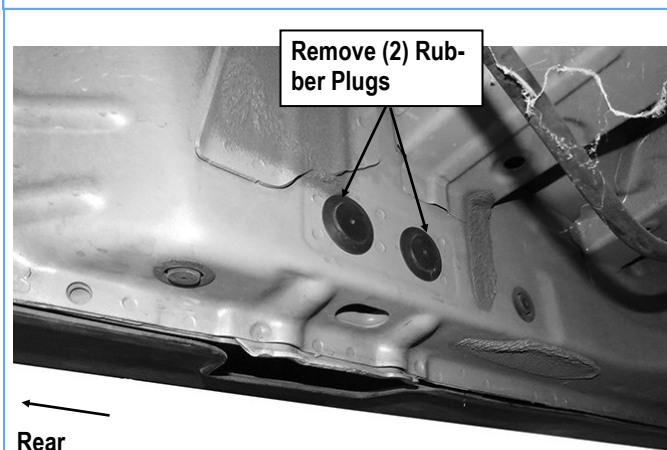
(Fig 6) Driver Side Center Mounting Bracket Installation



(Fig 7) Driver Side Center Mounting Bracket Installation

STEP 5

Move to the rear of the vehicle. Locate the oval hole in the bottom and (2) round holes in the inner side of the floor panel, (Fig 8). Remove the rubber plugs if equipped.



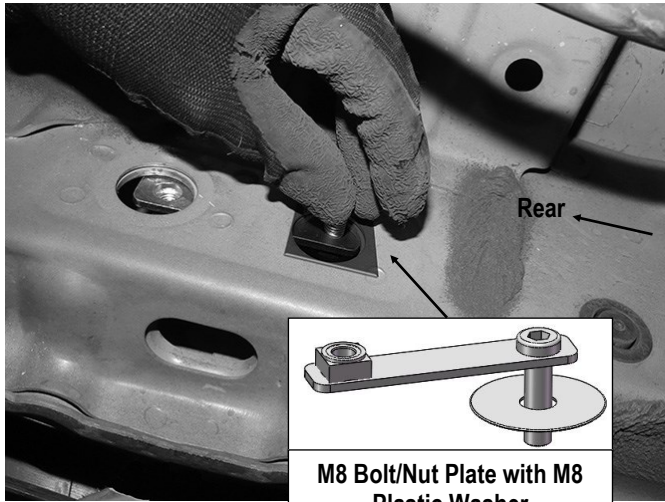
(Fig 8) Driver Side Rear Mounting Location Pictured

STEP 6

Select (1) M8 Bolt/Nut Plate and (1) M8 Plastic Washer. Thread the Plastic Washer part way onto the Bolt. Insert the nut end of the Bolt/Nut Plate into one round hole and line it up with the 2nd round hole. Tighten the Plastic Washer down until it is tight against the floor panel, (Fig 9).

Select (1) M10X40 Long Bolt Plate and (1) M10 Plastic Washer. Thread the Plastic Washer part way onto the Long Bolt Plate. Insert the Long Bolt Plate into the oval hole and tighten the Plastic Washer down until it is tight against the floor panel.

iBoard®



(Fig 9) Driver Side Rear Mounting Location Pictured

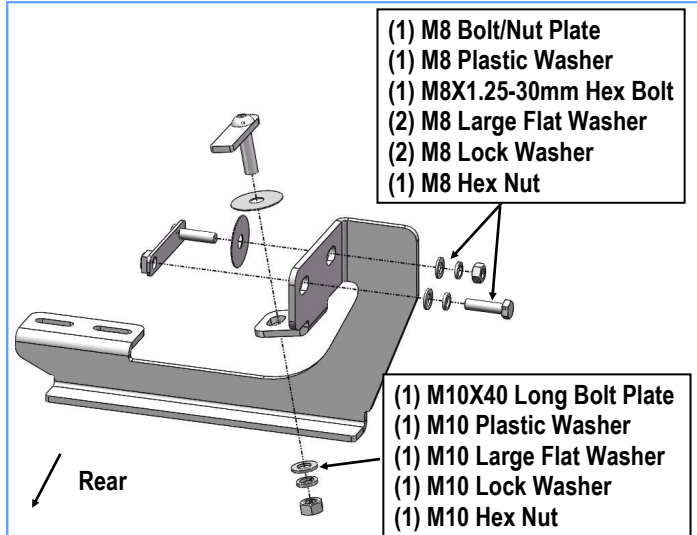
STEP 7

Select the Driver Rear Mounting Bracket (**DRM**). Attach the Bracket to the bottom M10X40 Long Bolt Plate with (1) M10 Large Flat Washer, (1) M10 Lock Washer and (1) M10 Hex Nut, (**Figs 10 & 11**). Attach the Bracket to the 8mm Bolt/Nut Plate with (1) M8X1.25-30mm Hex Bolt, (2) M8 Large Flat Washers, (2) M8 Lock Washers and (1) M8 Hex Nut, (**Figs 10 & 11**). Do not fully tighten hardware at this time.

STEP 8

Once all (3) mounting brackets are installed, then proceed to the Step Bar installation. According to the style of Step Bar proceed to the correct installation STEPS.

Note: Aluminum Step Bar refer to STEP 9; Stainless Steel Step Bar skip to STEP 10.



(Fig 10) Driver Side Rear Mounting Bracket Installation



(Fig 11) Driver Side Rear Mounting Bracket Installation

STEP 9

Aluminum Step Bar Installation:

Select a **Aluminum Step Bar**. Slip (3) M6x1-20mm Square Head Bolts into each bottom channel (**Fig 12**). Carefully position the Step Bar onto the (3) Mounting Brackets.

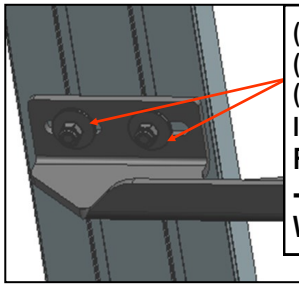
IMPORTANT: Do not slide the Step Bar on the Brackets or the bottom surface of the board will be damaged. Attach the Step Bar to each Mounting Brackets with (2) M6x1-20mm Square Head Bolts, (2) M6 Large Flat Washers and (2) M6 Nylon Lock Nuts, (**Fig 13**). Do not fully tighten at this time.

Level and adjust the Step Bar and fully tighten all hardware. Repeat **Steps 1-9** for the other side Step Bar installation. **The installation is completed!!!**

iBoard®



(Fig 12) Slip M6X1-20mm Square Head Bolts Into The Bottom Channels



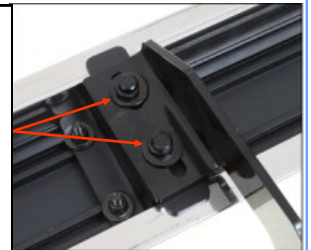
(2) M6X1-20mm Square Head Bolts
(2) M6 Large Flat Washers
(2) M6 Nylon Lock Nuts
IMPORTANT: TORQUE FOR 6MM FASTNERS MUST LESS THAN 6-7 FT-LBS OR THE FASTNERS WILL BE DAMAGED!

(Fig 13) Running Board Installed Onto Mounting Bracket



(Fig 14) Slide & line up the U-Slider with the installed mounting brackets along bottom channel

(2) M6X1-20mm Hex Bolts
(2) M6 Large Flat Washers
(2) M6 Lock Washers
IMPORTANT: TORQUE FOR 6MM FASTNERS MUST LESS THAN 6-7 FT-LBS OR THE FASTNERS WILL BE DAMAGED!



(Fig 15) Step Bar Installed on Bracket Installed (Example)

STEP 10

Stainless Steel Step Bar Installation:

Select a **Stainless Steel Step Bar** (with the U-Sliders installed on the Bar). Loose the U-Sliders, reposition the U-Sliders onto the board according to the (3) Installed Mounting Brackets location, (Fig 14). Re-secure the U-Sliders on the Step Bar. Attach the Step Bar to the installed Mounting Brackets with (6) M6X1-20mm Hex Bolts, (6) M6 Large Flat Washers & (6) M6 Lock Washers, (Fig 15). Do not fully tighten hardware at this time.

Level and adjust the Step Bar and fully tighten all hardware. Repeat **Steps 1-8 and 10** for the other side Step Bar installation. **The installation is completed!!!**

Attention

Do periodic inspections to the installation to make sure that all hardware is secure and tight.

In order to protect your bars/boards, please use only mild soap/non-abrasive products for cleaning.