

iBoard®

iBoard® by APS

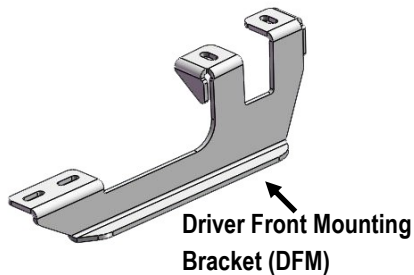
PART#: IB-352A-B

READ INSTRUCTIONS CAREFULLY BEFORE STARTING INSTALLATION. REMOVE CONTENTS FROM BOX AND VERIFY ALL PARTS ARE PRESENT. ASSISTANCE IS RECOMMENDED.

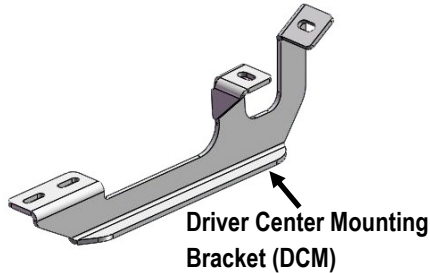
*ROCKER PANEL MOUNT
*NO DRILLING REQUIRED

Fastener Size	Tightening Torque (ft-lbs)
6mm	6-7
8mm	16-18
10mm	31-32
12mm	56-58
14mm	92-94

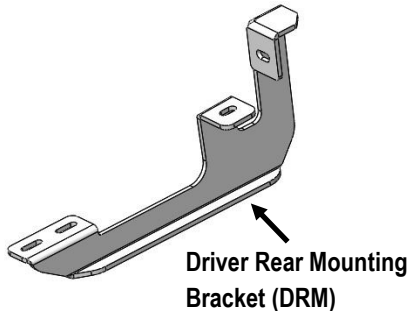
PART LIST



Driver Front Mounting Bracket (DFM)

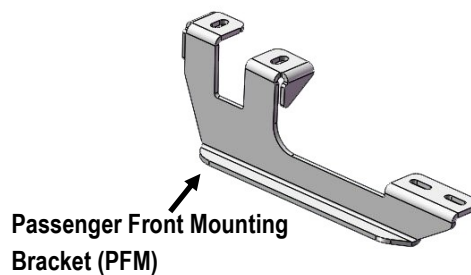


Driver Center Mounting Bracket (DCM)

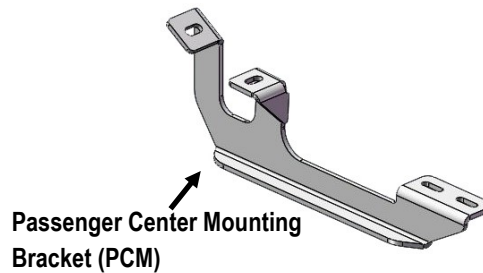


Driver Rear Mounting Bracket (DRM)

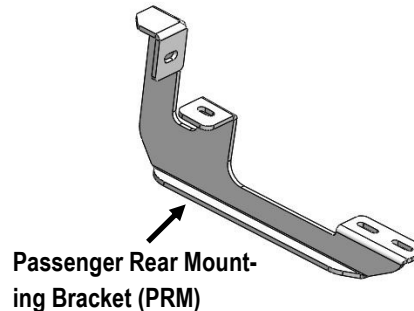
Front



Passenger Front Mounting Bracket (PFM)



Passenger Center Mounting Bracket (PCM)

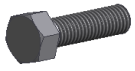


Passenger Rear Mounting Bracket (PRM)



Customer Support: info@iboardauto.com

iBoard®



X12

M8X1.25-25mm Hex Bolt



X12

M8 Flat Washer



X12

M8 Lock Washer



X12

M6X1-20mm Square Head Bolt



X12

M6 Large Flat Washer



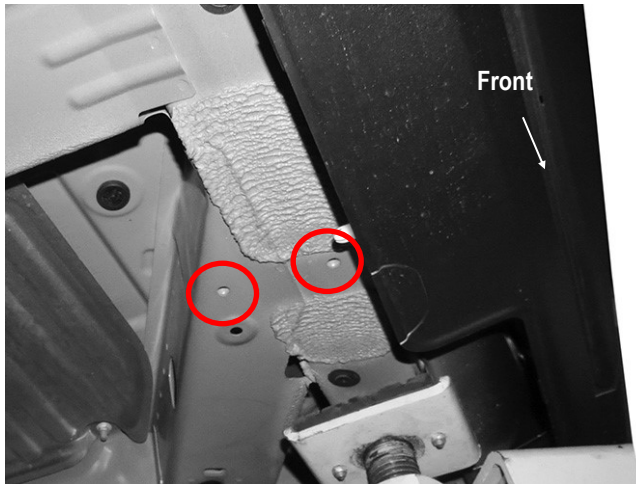
X12

M6X1 Nylon Lock Nut

STEP 1

Starting on the passenger side of the vehicle, locate the (2) factory 8mm threaded holes located in the bottom of the floor panel, (Fig 1).

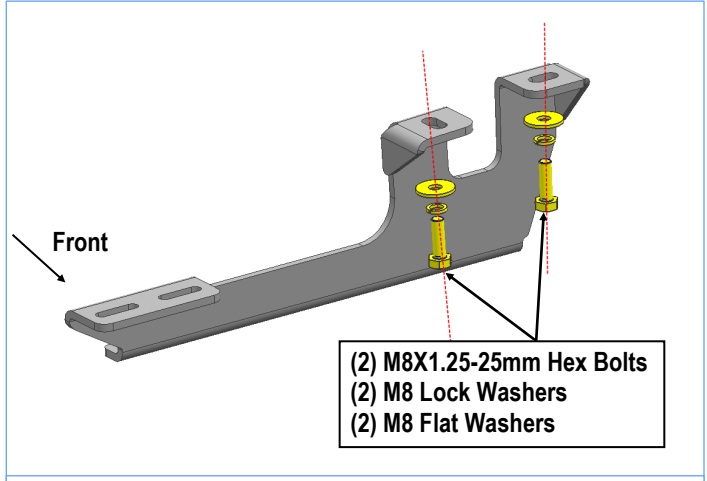
NOTE: Threaded holes may be covered with insulation. Clean mounting locations as required for proper Bracket installation.



(Fig 1) Passenger Side Front Mounting Location

STEP 2

Start from the Passenger front mounting location, (Fig 1). Select (1) Passenger Front Mounting Bracket (PFM). Attach the Bracket to the two threaded holes with (2) M8X1.25-25mm Hex Bolts, (2) M8 Flat Washers and (2) M8 Lock Washers, (Fig 2). Do not fully tighten hardware at this time.



(Fig 2) Passenger Front Mounting Bracket (PFM) Installation

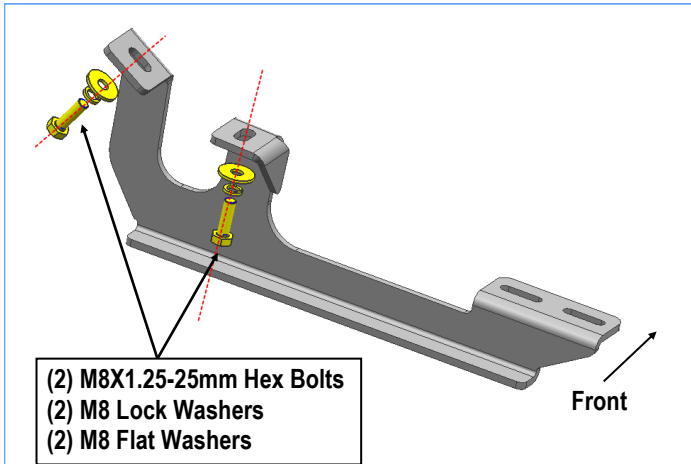
STEP 3

Move to the passenger side center mounting location, (Fig 3). Repeat **Step 2** to bolt the Passenger Center Mounting Bracket (PCM) to the factory threaded holes, (Fig 4). Do not fully tighten hardware at this time.



(Fig 3) Passenger Side Center Mounting Location

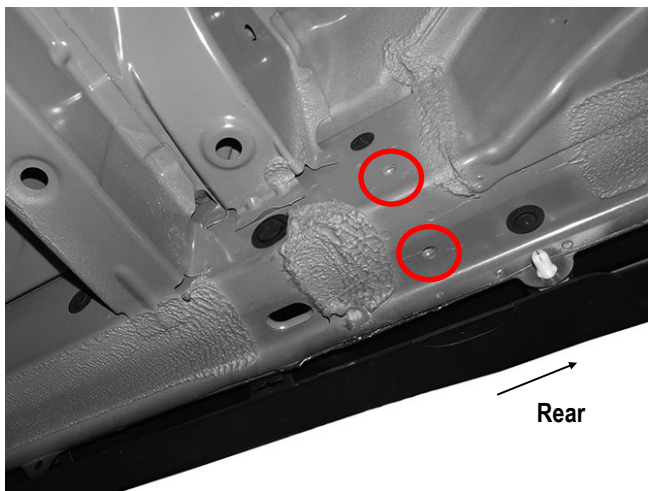
iBoard®



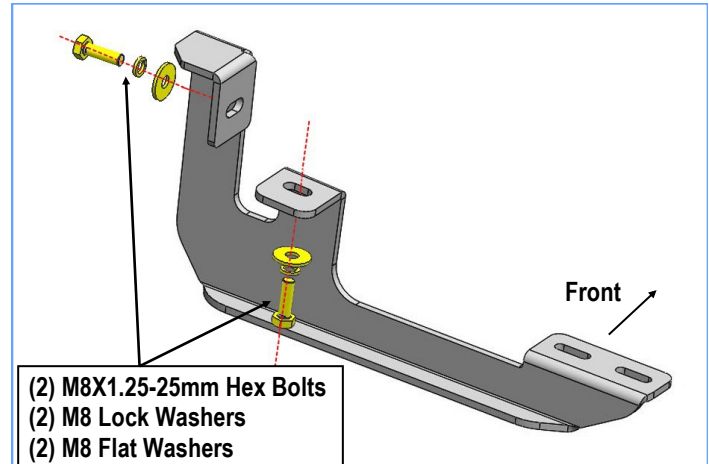
(Fig 4) Passenger Center Mounting Bracket (PCM) Installation

STEP 4

Next, move to the passenger side rear mounting location, (Fig 5). Repeat **Step 2** to bolt the Passenger Rear Mounting Bracket (PRM) to the factory threaded holes, (Fig 6). Do not fully tighten hardware at this time.



(Fig 5) Passenger Side Rear Mounting Location



(Fig 6) Passenger Rear Mounting Bracket (PRM) Installation

STEP 5

Select a Running Board. Slip (3) M6x1-20mm Square Head Bolts into each bottom channel (Fig 7). Carefully position the Running Board onto the (3) Mounting Brackets.

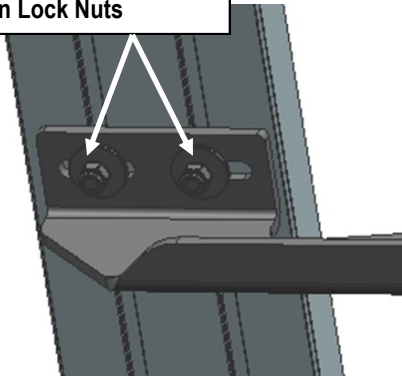
IMPORTANT: Do not slide the Running Board on the Brackets or the bottom surface of the board will be damaged. Attach the Running Board to Mounting Bracket with (6) M6x1-20mm Square Head Bolts, (6) M6 Large Flat Washers and (6) M6 X1 Nylon Lock Nuts (Fig 8). Do not fully tighten hardware at this time.



(Fig 7) Slip M6X1-20mm Square Head Bolts Into The Bottom Channels

iBoard®

- (2) M6X1-20mm Square Head Bolts
- (2) M6 Large Flat Washers
- (2) M6X1 Nylon Lock Nuts



(Fig 8) Running Board Installed Onto Driver Center Mounting Bracket

STEP 6

Level and adjust the Running Board and fully tighten all hardware.

STEP 7

Repeat **Steps 1-6** for the other side Running Board installation. The installation is completed (**Fig 9**).



(Fig 9) Installation Completed

Attention

Do periodic inspections to the installation to make sure that all hardware is secure and tight.

In order to protect your bars/boards, please use only mild soap/non-abrasive products for cleaning.