

iBoard®



Scan for
Installation Video

iBoard® by APS

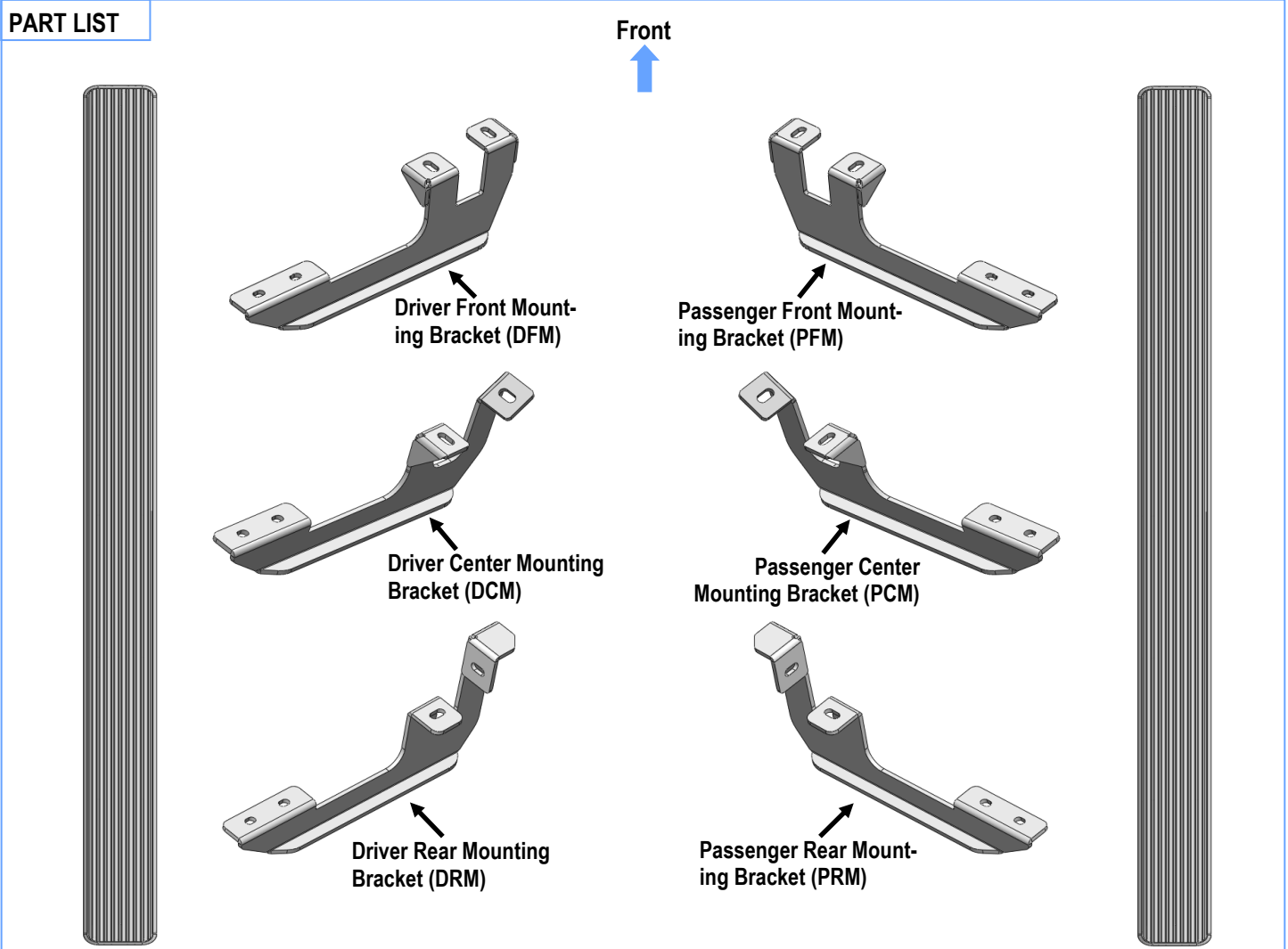
PART#: IB-352C&H

READ INSTRUCTIONS CAREFULLY BEFORE STARTING INSTALLATION. REMOVE CONTENTS FROM BOX AND VERIFY ALL PARTS ARE PRESENT. ASSISTANCE IS RECOMMENDED.

*ROCKER PANEL MOUNT
*NO DRILLING REQUIRED

Fastener Size	Tightening Torque (ft-lbs)	Required
6mm	6-7	X
8mm	16-18	√
10mm	31-32	X
12mm	56-58	X
14mm	92-94	X

PART LIST




Customer Support: info@iboardauto.com




Hardware Package A (For Bracket Installation)


Item	QTY	Description	Item	QTY	Description
1#	12	M8X1.25-25mm Hex Bolts	3#	12	M8 Lock Washers
2#	12	M8 Large Flat Washers			



1 #



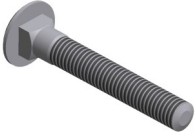
2 #




3 #

Hardware Package B (For Stainless Steel Step Bar Installation)


Item	QTY	Description	Item	QTY	Description
1#	12	M8X1.25-35mm Carriage Bolts	3#	12	M8 Nylon Lock Nuts
2#	12	M8 Large Flat Washers	4#	6	Sliders (Packed with Step Bars)



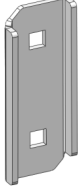
1 #



2 #



3 #



4 #



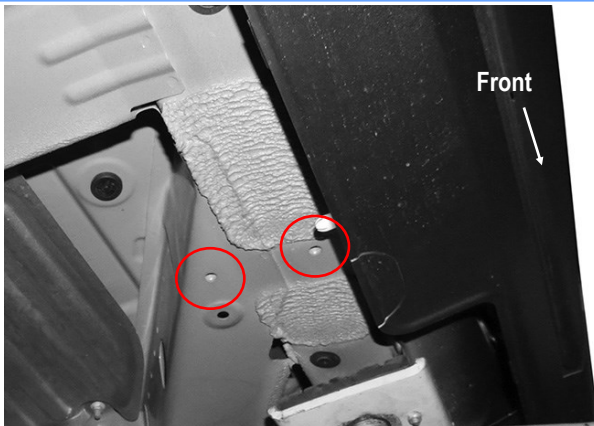
STEP 1

Starting on the passenger side of the vehicle, locate the (2) factory 8mm threaded holes located in the bottom of the floor panel, (Fig 1).

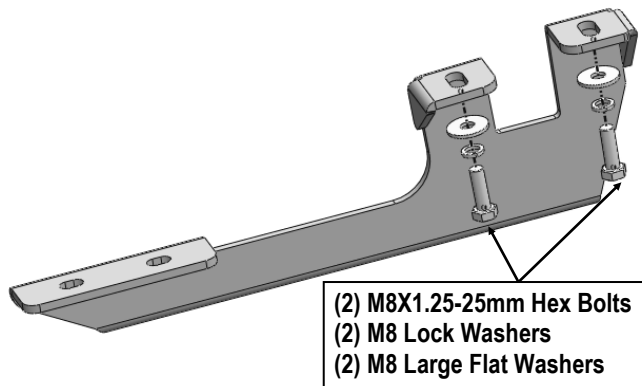
NOTE: Threaded holes may be covered with insulation. Clean mounting locations as required for proper Bracket installation.

STEP 2

Start from the Passenger front mounting location, (Fig 1). Select (1) Passenger Front Mounting Bracket (PFM). Attach the Bracket to the two threaded holes with (2) M8X1.25-25mm Hex Bolts, (2) M8 Large Flat Washers and (2) M8 Lock Washers, (Fig 2). Do not fully tighten hardware at this time.



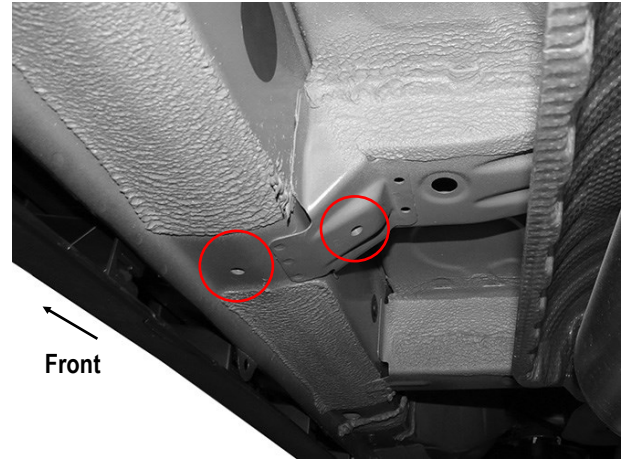
(Fig 1) Passenger Side Front Mounting Location



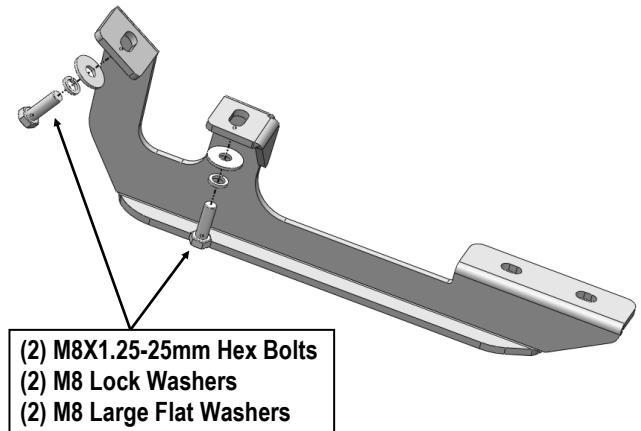
(Fig 2) Passenger Front Mounting Bracket Installation

STEP 3

Move to the passenger side center mounting location, (Fig 3). Repeat **Step 2** to bolt the Passenger Center Mounting Bracket (PCM) to the factory threaded holes, (Fig 4). Do not fully tighten hardware at this time.



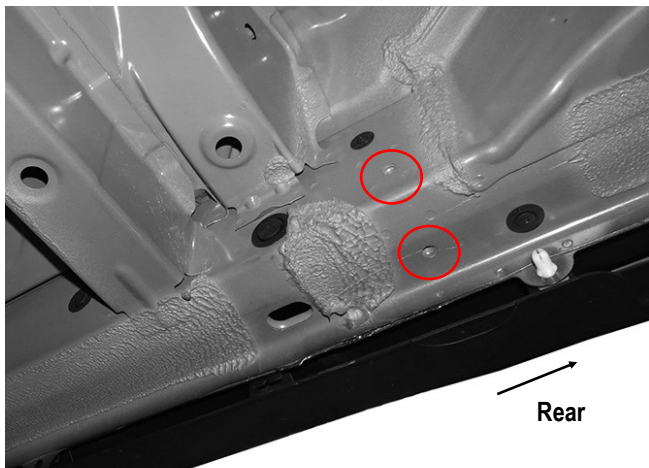
(Fig 3) Passenger Side Center Mounting Location



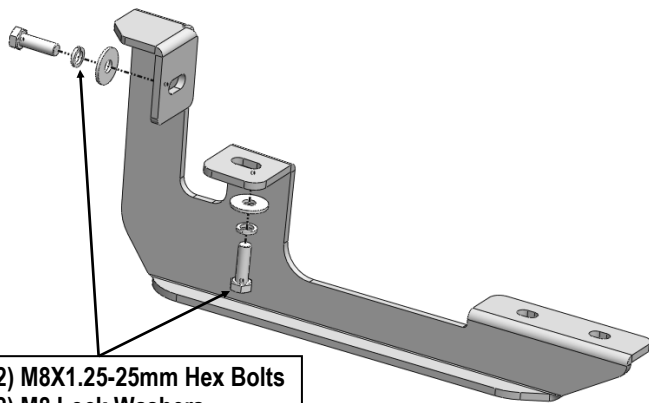
(Fig 4) Passenger Center Mounting Bracket Installation

STEP 4

Next, move to the passenger side rear mounting location, (Fig 5). Repeat **Step 2** to bolt the Passenger Rear Mounting Bracket (PRM) to the factory threaded holes, (Fig 6). Do not fully tighten hardware at this time.



(Fig 5) Passenger Side Rear Mounting Location



- (2) M8X1.25-25mm Hex Bolts
- (2) M8 Lock Washers
- (2) M8 Large Flat Washers

(Fig 6) Passenger Rear Mounting Bracket Installation

STEP 5

Once all (3) Passenger side mounting brackets are installed, then proceed to the Step Bar installation. (Figs 7&8)

(1) Select (1) Slider and (2) M8X1.25-35mm Carriage Bolts;

(2) Install (2) M8X1.25-35mm Carriage Bolts in (1) Slider.

(3) Slide the Slider (with carriage bolts) to the **Step Bar**.

(4) Repeat to install the other (2) sliders to the step bar.

(5) Attach the Step Bar (with the Sliders) onto the installed mounting brackets. Position the Sliders to the installed brackets. Secure the Step Bar to the installed Brackets by using (6) M8 Large Flat Washers and (6) M8 Nylon Lock Nuts and (3) Sliders, (Fig 8). Do not fully tighten hardware at this time.

Note: The Sliders are packed with the Step Bars.

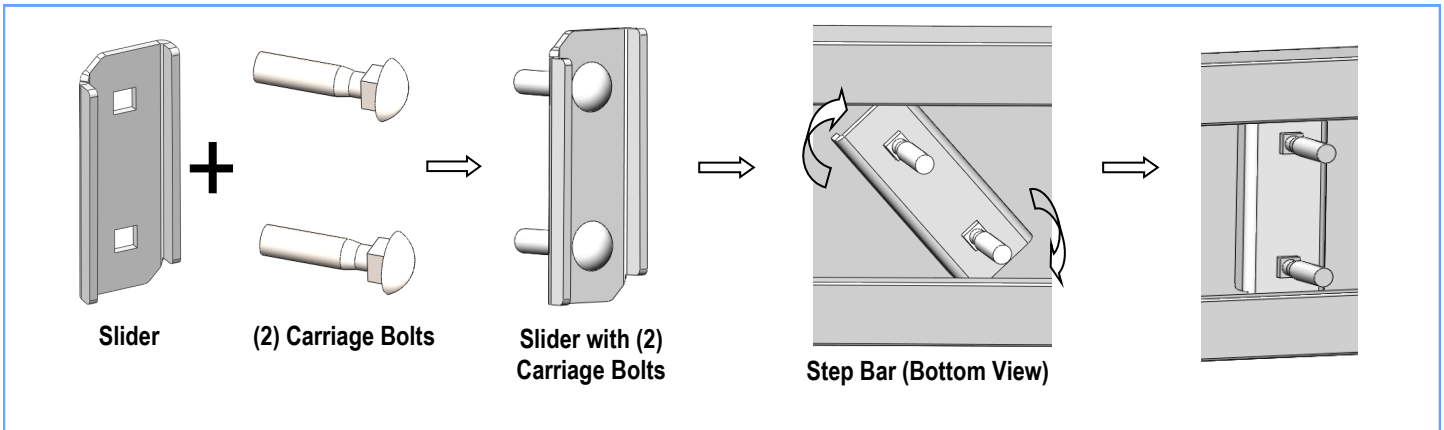
Level and adjust the Step Bar and fully tighten all hardware.

Repeat **Steps 1-5** for the other side Step Bar installation. **The installation is completed!!!**

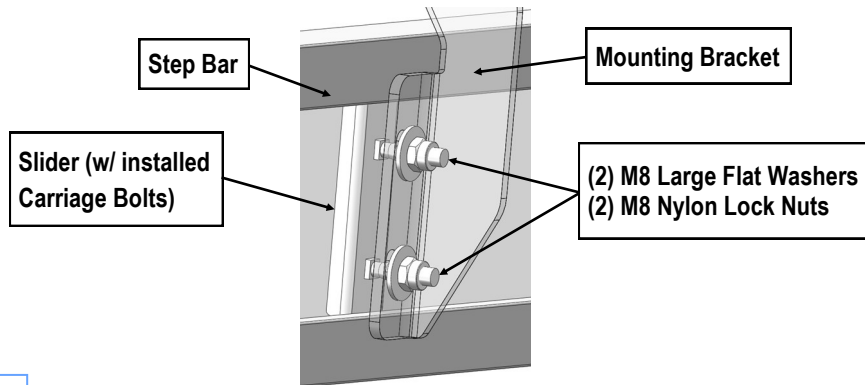
Attention

Do periodic inspections to the installation to make sure that all hardware is secure and tight.

In order to protect your bars/boards, please use mild soap/non-abrasive products for cleaning only.



(Fig 7) Slider Installation



(Fig 8) Step Bar Installation