

# iBoard®



Scan for  
Installation Video

## iBoard® by APS

PART#: IB-214C&H

READ INSTRUCTIONS CAREFULLY BEFORE STARTING INSTALLATION. REMOVE CONTENTS FROM BOX AND VERIFY ALL PARTS ARE PRESENT. ASSISTANCE IS RECOMMENDED.

\*ROCKER PANEL MOUNT  
\*NO DRILLING REQUIRED

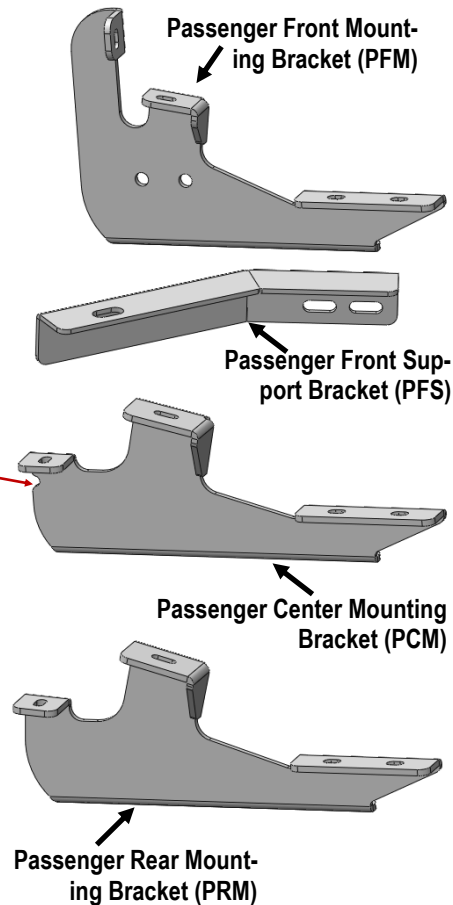
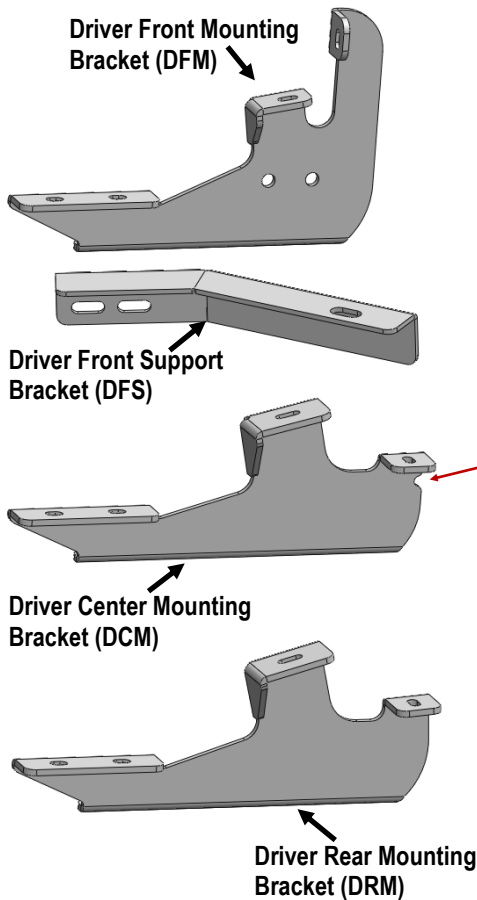
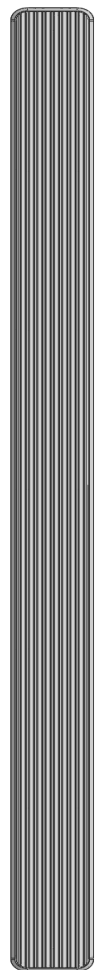
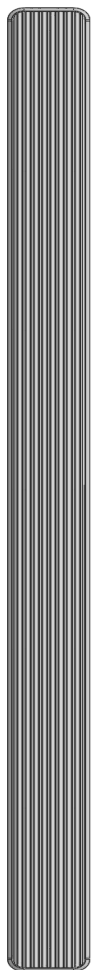
Fastener Size	Tightening Torque (ft-lbs)	Required
6mm	6-7	X
8mm	16-18	√
10mm	31-32	√
12mm	56-58	X
14mm	92-94	X

### PART LIST

#### Driver Side Step Bar

Front  
↑

#### Passenger Side Step Bar



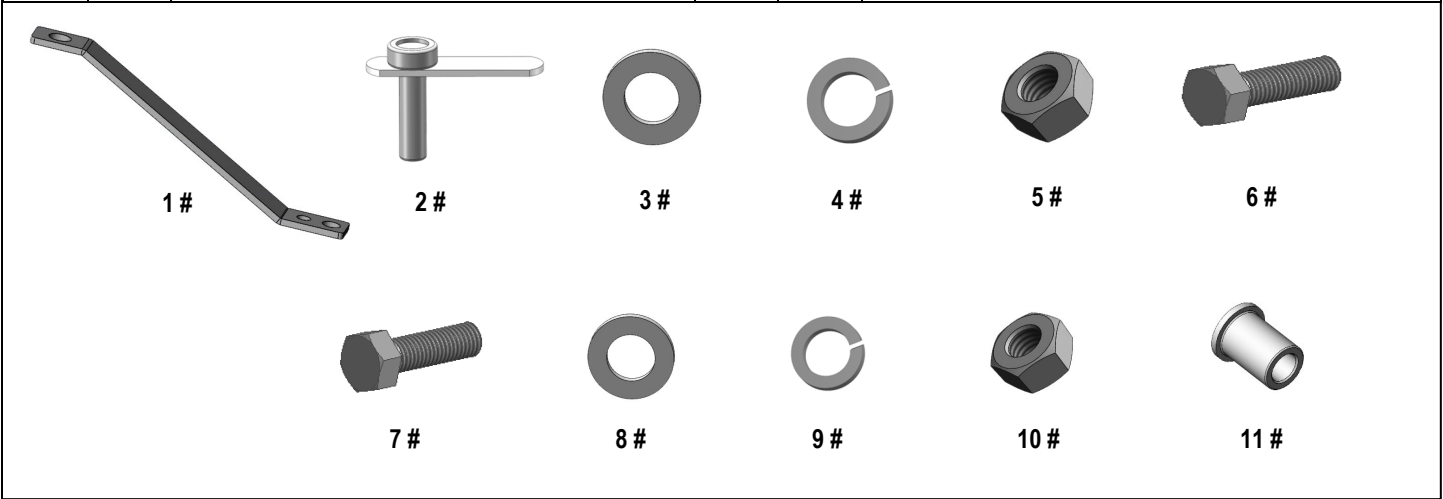
Center Mounting Brackets W/ Notch

Customer Support: [info@iboardauto.com](mailto:info@iboardauto.com)



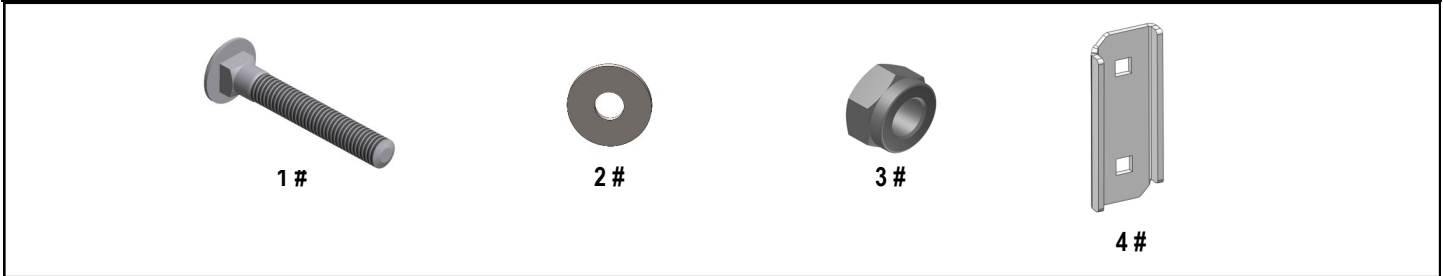
## Hardware Package A (For Bracket Installation)

Item	QTY	Description	Item	QTY	Description
1#	1	Insert Installation Tool	7#	12	M8X1.25-25mm Hex Bolts
2#	2	M10X35 Bolt Plates	8#	20	M8 Large Flat Washers
3#	2	M10 Large Flat Washers	9#	16	M8 Lock Washers
4#	2	M10 Lock Washers	10#	4	M8 Hex Nuts
5#	2	M10 Hex Nuts	11#	2	M8 Rivet Nuts
6#	4	M8X1.25-35mm Hex Bolts			



## Hardware Package B (For Stainless Steel Step Bar Installation)

Item	QTY	Description	Item	QTY	Description
1#	12	M8X1.25-35mm Carriage Bolts	3#	12	M8 Nylon Lock Nuts
2#	12	M8 Large Flat Washers	4#	6	Sliders (Packed with Step Bars)

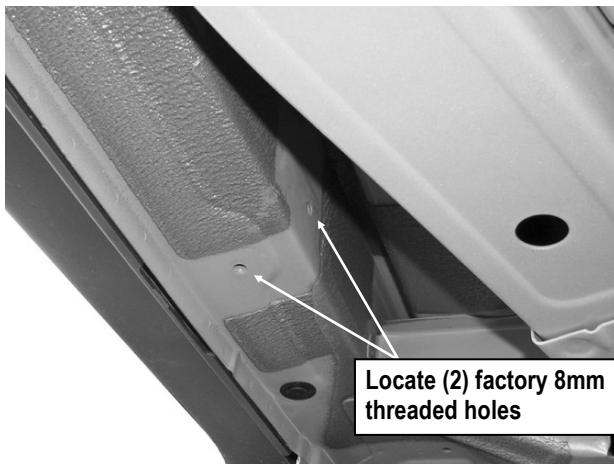




## STEP 1

Starting on the driver side front of the vehicle, locate the (2) factory 8mm threaded holes, one located at the bottom of the floor panel and the other one on the inner body panel, (Fig 1).

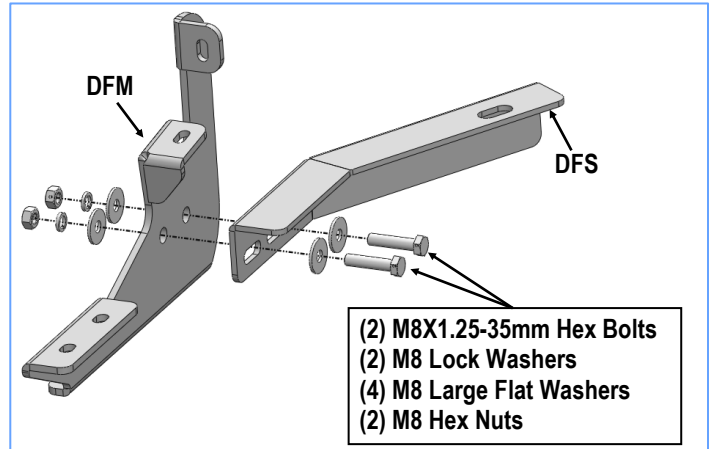
**IMPORTANT:** All factory threaded holes may be covered by rubber plugs or undercoating. Scrape off any excess undercoating from mounting surfaces.



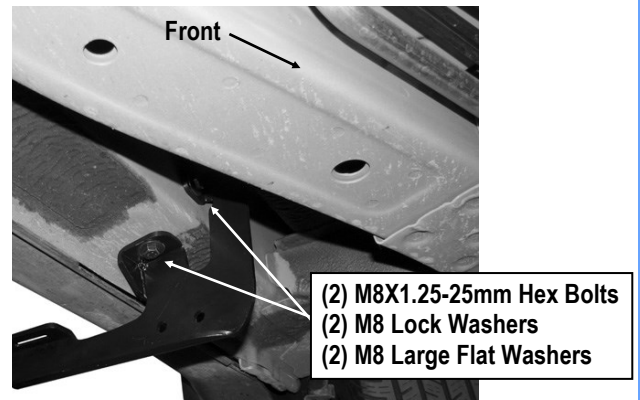
(Fig 1) Driver Side Front Mounting Location

## STEP 2

Bolt the Driver Front Support Bracket (DFS) to the back of the Driver Front Mounting Bracket (DFM) with (2) M8X1.25-35mm Hex Bolts, (2) M8 Lock Washers, (2) M8 Hex Nuts and (4) M8 Large Flat Washers, (Fig 2). Do not fully tighten hardware at this time.



(Fig 2) Driver Side Front Brackets Assembly



(Fig 3) Driver Front Mounting Bracket (DFM) Installed

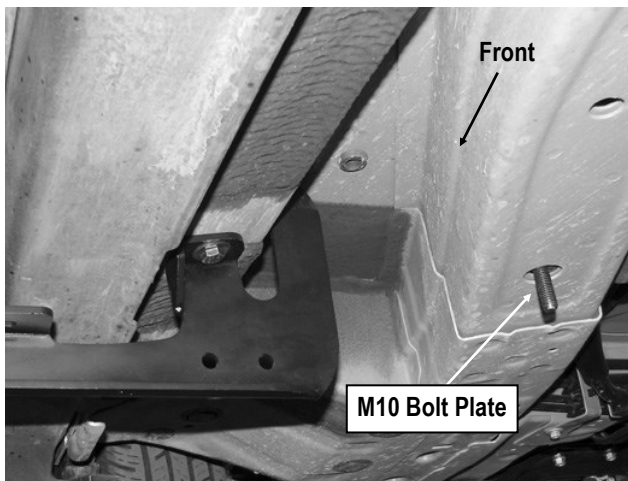
## STEP 3

Attach the Driver Front Mounting Bracket (DFM) to the (2) threaded holes using the provided (2) M8X1.25-25mm Hex Bolts, (2) M8 Lock Washers and (2) M8 Large Flat Washers, (Fig 3). Do not fully tighten hardware at this time.

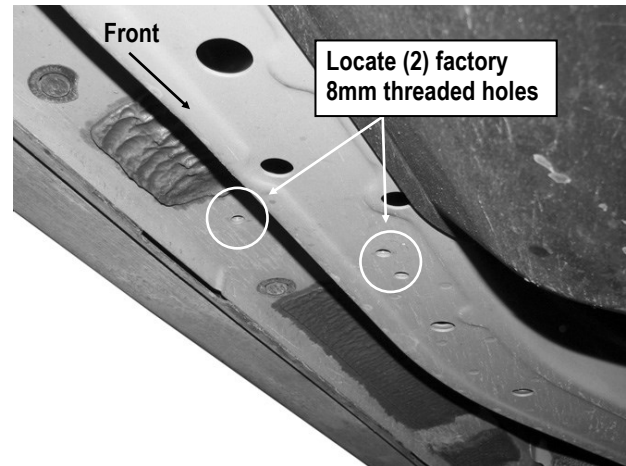
## STEP 4

Select (1) M10 Bolt Plate. Insert the Bolt Plate into the factory hole at the bottom of the frame channel, (Fig 4). Rotate the Bolt Plate to 90-degrees or until it stops turning.

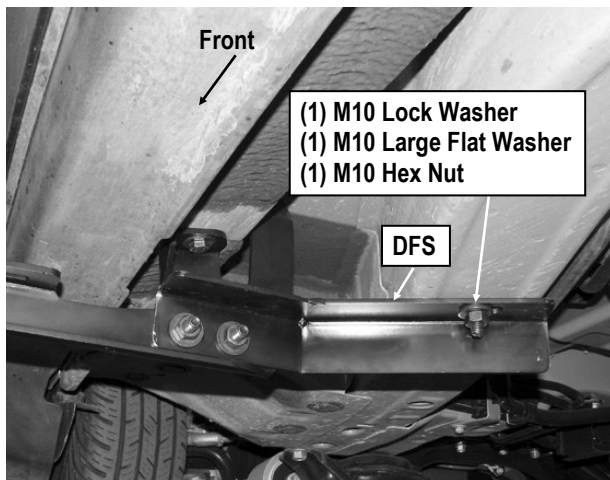
Next, hang the Driver Front Support Bracket (DFS) to the previously installed M10 Bolt Plate using (1) M10 Large Flat Washer, (1) M10 Lock Washer and (1) M10 Hex Nut, (Fig 5). Do not fully tighten hardware at this time.



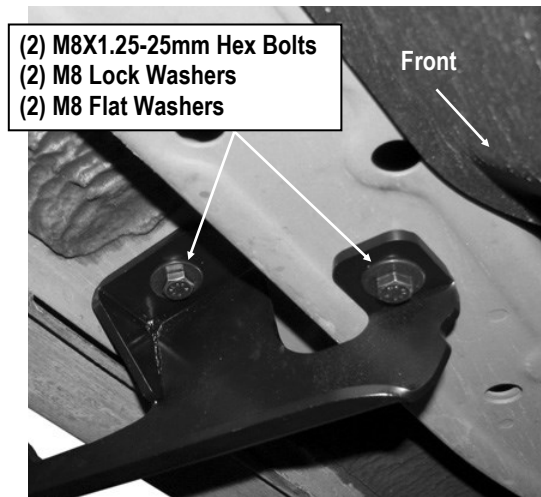
(Fig 4) M10 Bolt Plate Installed



(Fig 6) Driver Side Center Mounting Location



(Fig 5) Driver Front Support Bracket (DFS) Installed



(Fig 7) Driver Center Mounting Bracket Installed

## STEP 5

Move to the Driver Side Center Mounting Location and locate the (2) 8mm threaded holes located at the bottom of the floor panel and bottom of the frame channel, (Fig 6). Attach the Driver Center Mounting Bracket (DCM) to the (2) threaded holes using the provided (2) M8X1.25-25mm Hex Bolts, (2) M8 Lock Washers and (2) M8 Flat Washers, (Fig 7). Do not fully tighten hardware at this time.

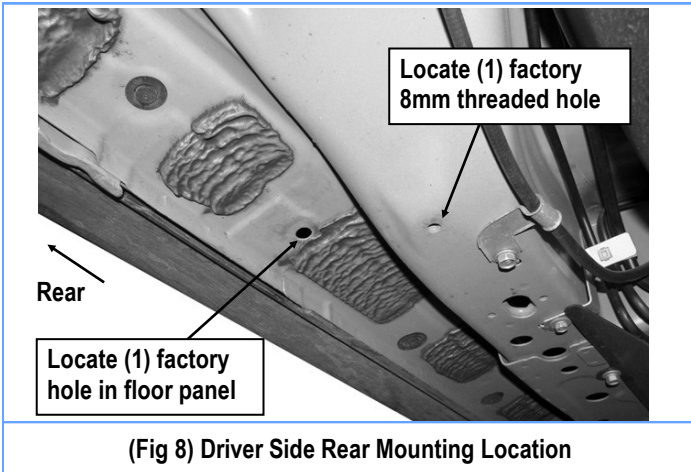
**NOTE:** Center and Rear Bracket are similar but unique.

## STEP 6

Continue moving to the Driver Side Rear Mounting location. Locate the 8mm threaded hole at the bottom of the frame channel and (1) factory hole at the bottom of the floor panel. Remove rubber plugs as necessary, (Fig 8).

**NOTE:** To determine the correct mounting holes to use, hold the Driver Rear Mounting Bracket (DRM) up in position against the factory threaded hole in the end of the frame channel, (Fig 8). Remaining hole in mounting tab on the bracket will line up with correct factory hole in floor panel.





(Fig 8) Driver Side Rear Mounting Location

## STEP 7

Select the Threaded Insert Tool, (1) M8 Rivet Nut, (1) M8 Large Flat Washer and (1) M8x1.25-25mm Hex Bolt, (Fig 9). Assemble the tool as pictured in Fig 9. **NOTE: Select 8mm hole on threaded tool (Fig 10).**

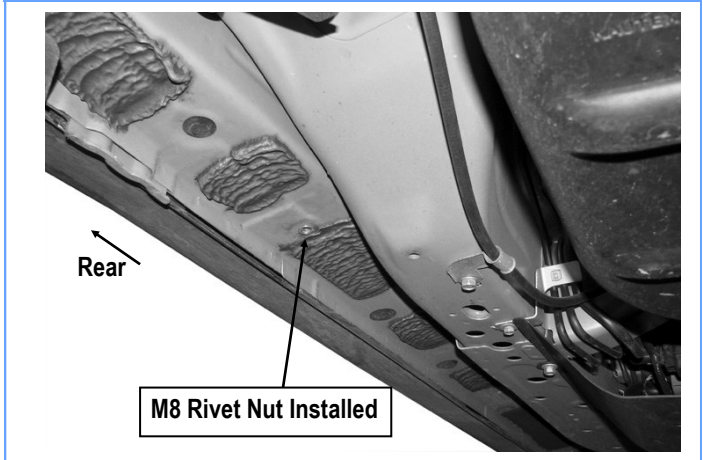
Insert the assembly into the factory hole. Firmly hold the tool handle and assembly up tight against the floor panel and tighten the M8 Hex Bolt until the insert is fully expanded in the hole, (Fig 11). **NOTE: Do not over tighten or a pull out may occur.** Once Insert is fully compressed, remove the bolt and tool from the Insert.



(Fig 9) Insert Installation Tool Assembly



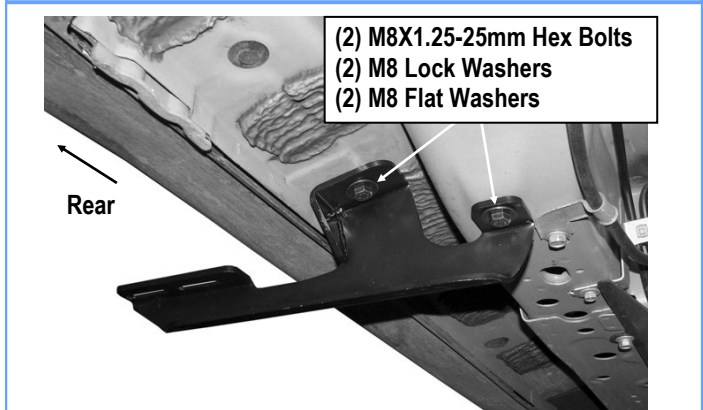
(Fig 11) Tighten Hex Bolt To Collapse  
And Lock Threaded Insert Into Factory Hole



(Fig 12) M8 Rivet Nut Insert Fully Installed

## STEP 8

Repeat **Step 3** to attach the Driver Rear Mounting Bracket (DRM) to the vehicle, (Fig 13). Do not fully tighten hardware at this time.



(Fig 13) Driver Rear Mounting Bracket Installed



## STEP 9

Once all (3) Driver side mounting brackets are installed, then proceed to the Step Bar installation. (**Figs 14 & 15**)

- (1) Select (1) Slider and (2) M8X1.25-35mm Carriage Bolts;
- (2) Install (2) M8X1.25-35mm Carriage Bolts in (1) Slider.
- (3) Slide the Slider (with carriage bolts) to the **Step Bar**.
- (4) Repeat to install the other (2) sliders to the step bar.
- (5) Attach the Step Bar (with the Sliders) onto the installed mounting brackets. Position the Sliders to the installed brackets. Secure the Step Bar to the installed Brackets by using (6) M8 Large Flat Washers and (6) M8 Nylon Lock Nuts and (3) Sliders, (**Fig 15**). Do not fully tighten hardware at this time.

**Note:** The Sliders are packed with the Step Bars.

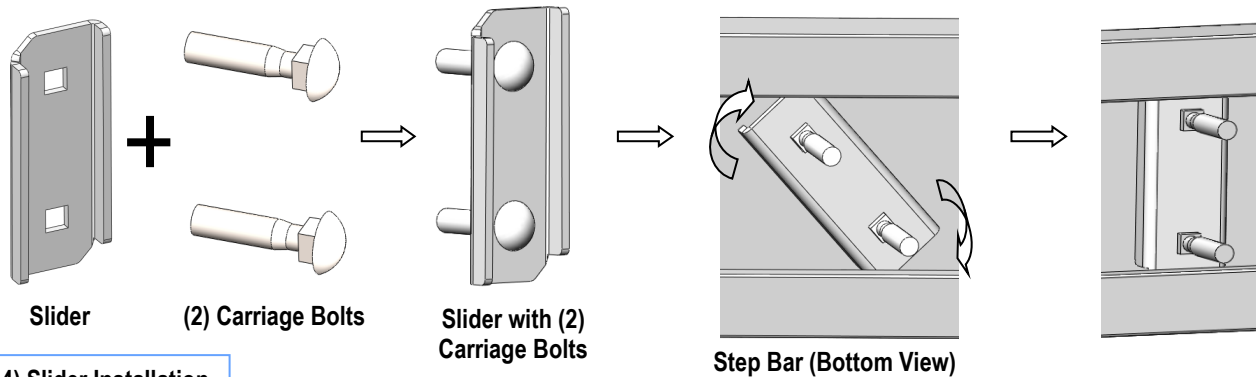
Level and adjust the Step Bar and fully tighten all hardware.

Repeat **Steps 1-9** for the other side Step Bar installation. **The installation is completed!!!**

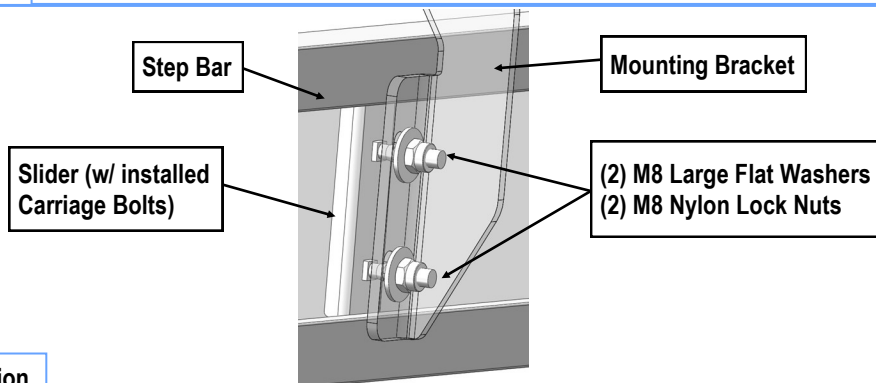
### Attention

**Do periodic inspections to the installation to make sure that all hardware is secure and tight.**

**In order to protect your bars/boards, please use mild soap/non-abrasive products for cleaning only.**



(Fig 14) Slider Installation



(Fig 15) Step Bar Installation