

iBoard®

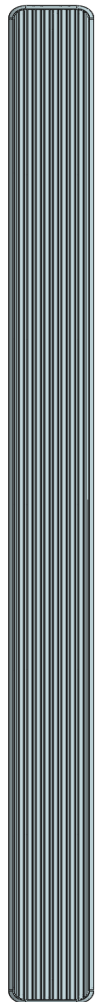
iBoard® by APS

PART#: IB-109

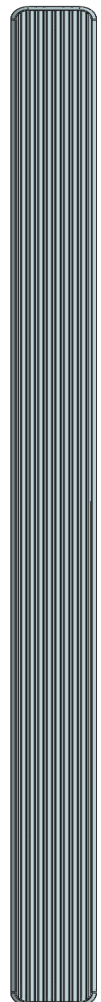
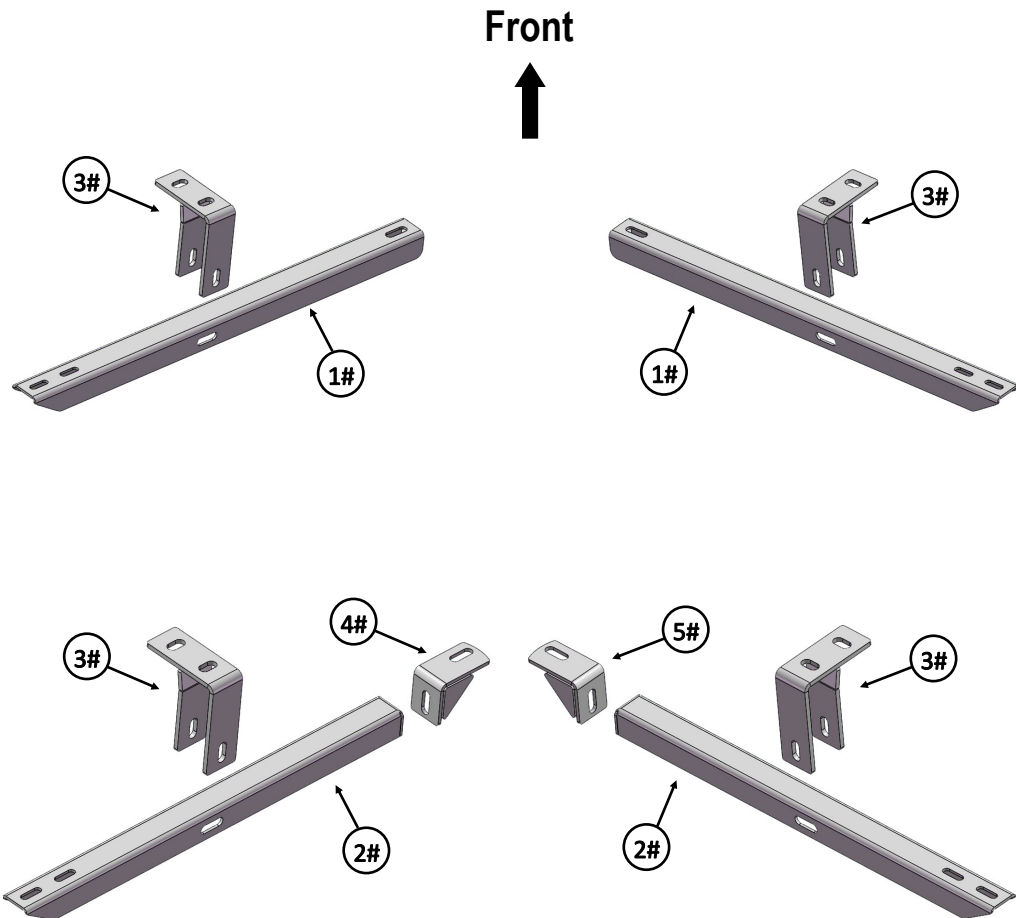
READ INSTRUCTIONS CAREFULLY BEFORE STARTING INSTALLATION. REMOVE CONTENTS FROM BOX AND VERIFY ALL PARTS ARE PRESENT. ASSISTANCE IS RECOMMENDED.

*ROCKER PANEL MOUNT
*DRILLING IS REQUIRED/CUTTING IS REQUIRED

Fastener Size	Tightening Torque (ft-lbs)	Required
6mm	6-7	√
8mm	16-18	√
10mm	31-32	X
12mm	56-58	X
14mm	92-94	X



Driver Side Step Bar

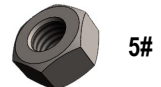


Passenger Side Step Bar

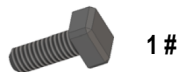
iBoard®

Mounting Bracket List					
Item	QTY	Description	Item	QTY	Description
1#	2	Driver / Passenger Front Mounting Brackets	4#	1	Driver Rear Support Bracket
2#	2	Driver / Passenger Rear Mounting Brackets	5#	1	Passenger Rear Support Bracket
3#	4	U Brackets			

Hardware Package A (For Bracket Installation)					
Item	QTY	Description	Item	QTY	Description
1#	4	M8X1.25-60mm Hex Bolts	4#	18	M8 Lock Washers
2#	14	M8X1.25-25mm Hex Bolts	5#	6	M8 Hex Nuts
3#	24	M8 Flat Washers			



Hardware Package B (For Aluminum Step Bar Installation Only, Not Supply to SS. Step Bar)					
Item	QTY	Description	Item	QTY	Description
1#	8	M6X1-20mm Square Head Bolts	3#	8	M6 Nylon Lock Nuts
2#	8	M6 Large Flat Washers			



Hardware Package C (For Stainless Steel Step Bar Installation Only, Not Supply to Aluminum Step Bar)					
Item	QTY	Description	Item	QTY	Description
1#	8	M6X1-20mm Hex Bolts	3#	8	M6 Flat Washers
2#	8	M6 Lock Washers			



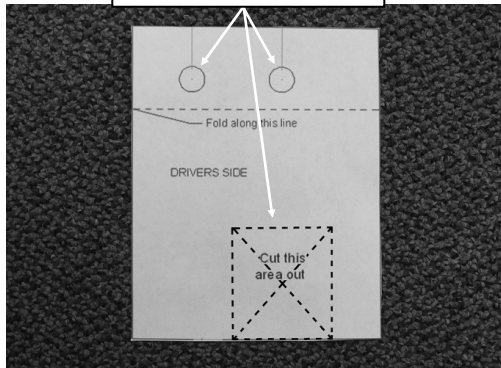
iBoard®

STEP 1

Identify and separate the driver and passenger side front and rear brackets. Start installation on the driver/left side of the vehicle.

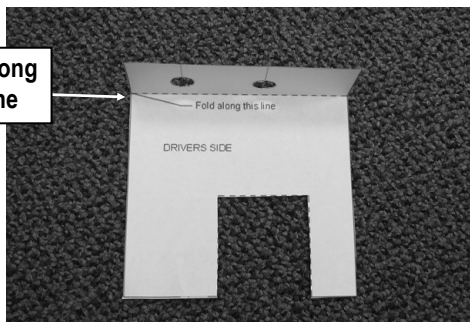
Cut out the paper template on **Fig 16 & 17** labeled "Driver Side". Cut out the square section on the bottom of the Template and the (2) 8mm holes on the top. Fold the top of the Template up along the dotted line, (**Fig 2**). Hold the Template in place over the outer (2) factory 8mm threaded holes next to the pinch weld, (**Figs 3 & 4**). **IMPORTANT:** There are (4) threaded holes at each mounting location, (2) inner on bottom of frame channel and (2) outer next to pinch weld, (**Fig 5**). Hold the correct Template over the outer threaded holes and up against the plastic cover, (**Fig 4**). Use a marker to trace the cut out section on the bottom of the Template onto the plastic cover. Repeat this Step to mark the rear bracket location for cutting.

Cut Out Square And (2) Round Holes

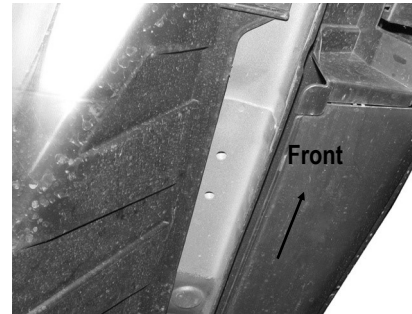


(Fig 1) Driver Side Template Pictured

Fold Up Along Dashed Line



(Fig 2) Driver Side Template Pictured

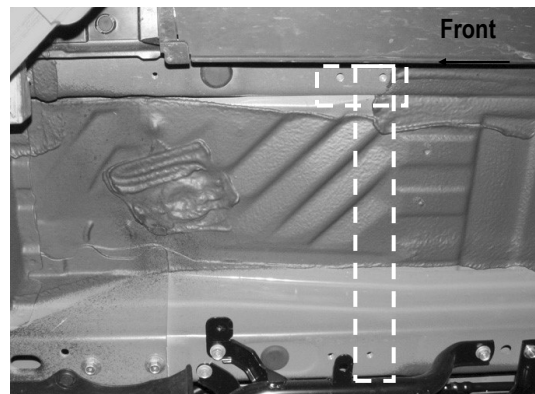


(Fig 3) Driver Side Front Mounting Location Pictured



(Fig 4) Driver Front Side Location Pictured

With The Plastic Cover In Place, Hold The Driver Side Paper Template Over The (2) Threaded Holes Next To The Pinch Weld. Use A Marker To Trace The Square Cut Out Section On The Template. Remove Cover. Use A Utility Knife Or Hacksaw To Carefully Cut Out This Section. Check The Clearance Between The Bracket And The Cover Often For Proper Fit.



(Fig 5) Dashed Line Represents Driver Side Front Mounting Location For Bracket Assembly

iBoard®

STEP 2

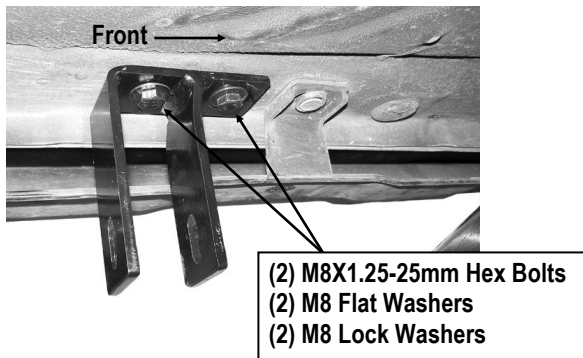
Remove the plastic cover. Cut out the (2) sections as marked. **VERY IMPORTANT:** The Templates are driver and passenger side specific and have been provided for reference use only. It is the installer's responsibility to be absolutely sure that the correct location has been marked before cutting the plastic cover. To verify the locations before cutting, temporarily assemble the Mounting Brackets as pictured on **Page 1 "Part List"** and check the locations on the cover.

STEP 3

Partially install the plastic cover. **IMPORTANT:** Attach the cover to the vehicle with the outer (next to pinch weld) hardware only. Allow the cover to hang in place from the outer hardware. Do not install inner hardware at this time.

STEP 4

Locate the forward (2) 8mm threaded holes in the floor panel, (See **Step 1, Fig 5**). Select (1) U Bracket. Bolt the Bracket to the threaded holes with (2) M8X1.25-25mm Hex Bolts, (2) M8 Lock Washers, and (2) M8 Flat Washers, (**Fig 6**). Snug but do not fully tighten hardware at this time.

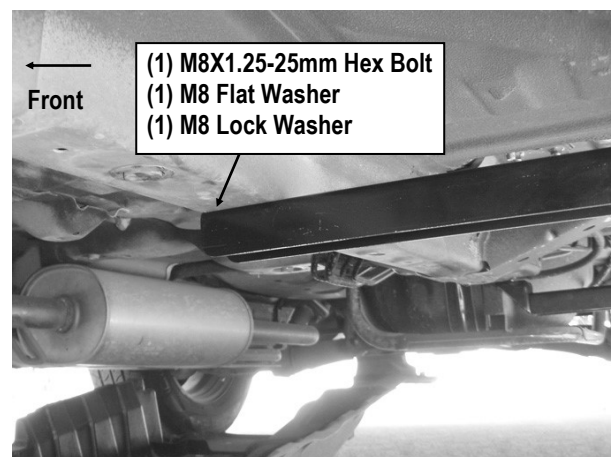


(Fig 6) Drive Front U Bracket Located

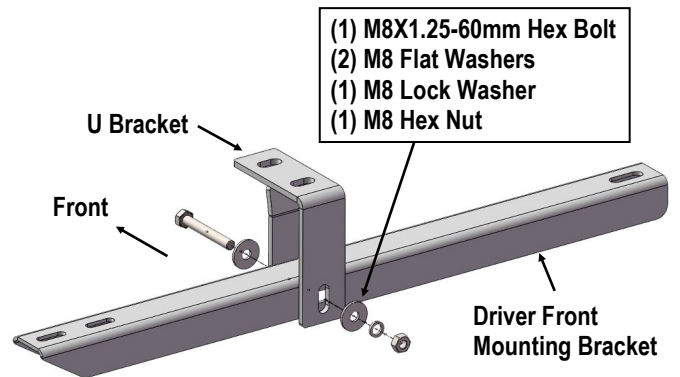
STEP 5

Select (1) Driver Front Mounting Bracket. Insert the Driver Front Mounting Bracket through the tabs on the U Bracket and into the hole cut out of the plastic cover. Line up the inner end of the Bracket with the rear threaded hole on the bottom of the frame channel in line with the outer holes, (**Fig 7**). Attach the Mounting Bracket to the frame channel with (1) M8X1.25-mm Hex Bolt, (1) M8 Lock Washer, and (1) M8 Flat Washer. Bolt the Driver Front Mounting Bracket to the (2) tabs on U Bracket with (1) M8X1.25-60mm Hex Bolt, (2) M8 Flat Washers, (1) M8 Lock Washers and (1) M8 Hex Nuts, (**Fig 8**). Do not tighten hardware at this time.

NOTE: The mounting tab on U Bracket will go toward front of vehicle.



(Fig 7) Driver Front Mounting Bracket Installed

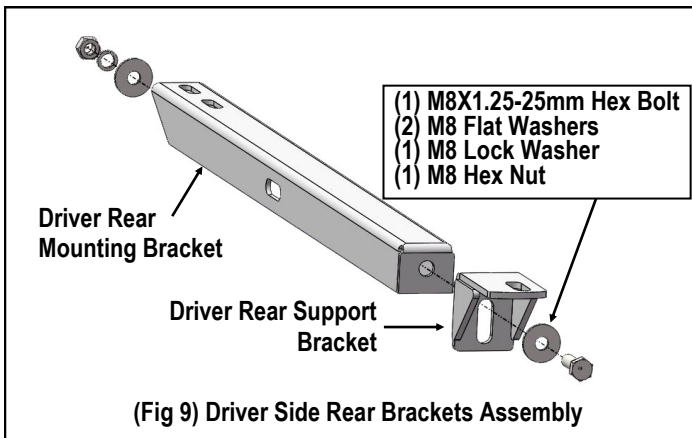


(Fig 8) Driver Front Mounting Bracket Installed

iBoard®

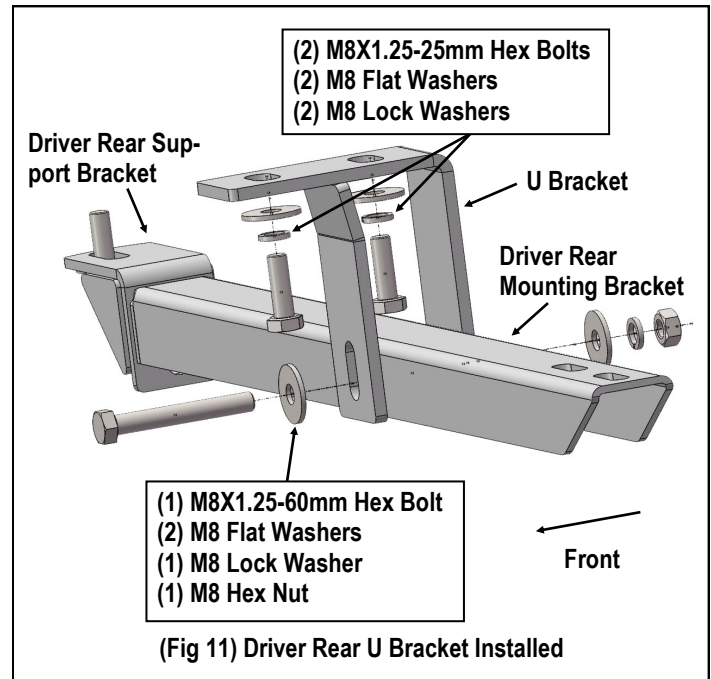
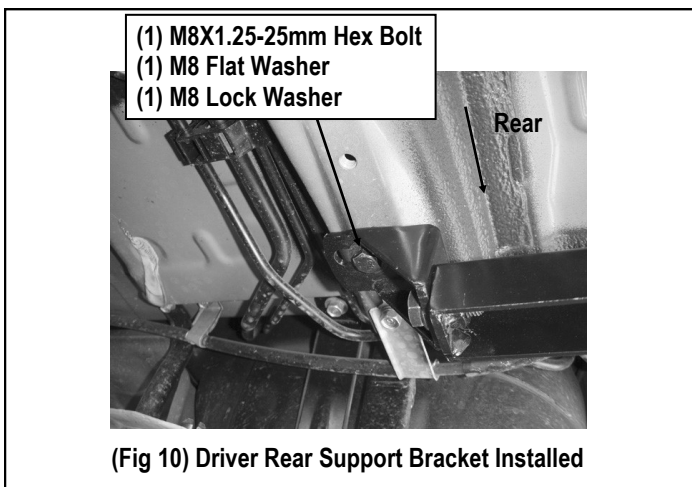
STEP 6

Next, select (1) Driver Rear Mounting Bracket, (1) U Bracket and (1) Driver Rear Support Bracket. Bolt the Support Bracket to the end of the Mounting Bracket with (1) M8X1.25-25mm Hex Bolt, (2) M8 Flat Washers, (1) M8 Lock Washer and (1) M8 Hex Nut, (Fig 9). Do not fully tighten hardware at this time.



STEP 7

Repeat **Step 4** to install the U Bracket onto the vehicle (Fig 11). And repeat **Step 5** to install the Assembled Driver Rear Mounting Bracket onto the frame channel and U Bracket (Fig 10 & 11). Do not fully tighten hardware at this time.
NOTE: The mounting tab on U Bracket will go toward front of vehicle.



STEP 8

Once all (2) mounting brackets are installed, then proceed to the Step Bar installation. According to the style of Step Bar proceed to the correct installation STEPS.

Note: Aluminum Step Bar refer to STEP 9; Stainless Steel Step Bar skip to STEP 10.

STEP 9

Aluminum Step Bar Installation:

Select a **Aluminum Step Bar**. Slip (2) M6x1-20mm Square Head Bolts into each bottom channel (Fig 12). Carefully position the Step Bar onto the (2) Mounting Brackets.

IMPORTANT: Do not slide the Step Bar on the Brackets or the bottom surface of the board will be damaged. Attach the Step Bar to each Mounting Brackets with (2) M6x1-20mm Square Head Bolts, (2) M6 Large Flat Washers and (2) M6 Nylon Lock Nuts, (Fig 13). Do not fully tighten at this time.

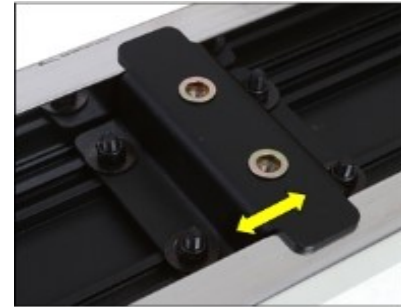
Level and adjust the Step Bar and fully tighten all hardware.

Repeat **Steps 1-9** for the other side Step Bar installation. **The installation is completed!!!**

iBoard®

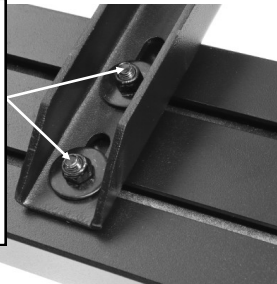


(Fig 12) Slip M6X1-20mm Square Head Bolts Into The Bottom Channels



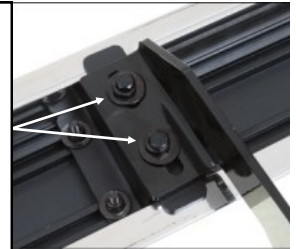
(Fig 14) Slide & line up the U-Slider with the installed mounting brackets along bottom channel

(2) M6X1-20mm Square Head Bolts
(2) M6 Large Flat Washers
(2) M6 Nylon Lock Nuts
IMPORTANT: TORQUE FOR 6MM FASTNERS MUST LESS THAN 6-7 FT-LBS OR THE FASTNERS WILL BE DAMAGED!



(Fig 13) Step Bar Installed Onto Mounting Bracket

(2) M6X1-20mm Hex Bolts
(2) M6 Large Flat Washers
(2) M6 Lock Washers
IMPORTANT: TORQUE FOR 6MM FASTNERS MUST LESS THAN 6-7 FT-LBS OR THE FASTNERS WILL BE DAMAGED!



(Fig 15) Step Bar Installed on Bracket Installed (Example)

STEP 10

Stainless Steel Step Bar Installation:

Select a **Stainless Steel Step Bar** (with the U-Sliders installed on the Bar). Loose the U-Sliders, reposition the U-Sliders onto the board according to the (2) Installed Mounting Brackets location, (Fig 14). Re-secure the U-Sliders on the Step Bar. Attach the Step Bar to the installed Mounting Brackets with (4) M6X1-20mm Hex Bolts, (4) M6 Large Flat Washers & (4) M6 Lock Washers, (Fig 15). Do not fully tighten hardware at this time.

Level and adjust the Step Bar and fully tighten all hardware.

Repeat **Steps 1-8 and 10** for the other side Step Bar installation. **The installation is completed!!!**

Attention

Do periodic inspections to the installation to make sure that all hardware is secure and tight.

In order to protect your bars/boards, please use only mild soap/non-abrasive products for cleaning.

iBoard®

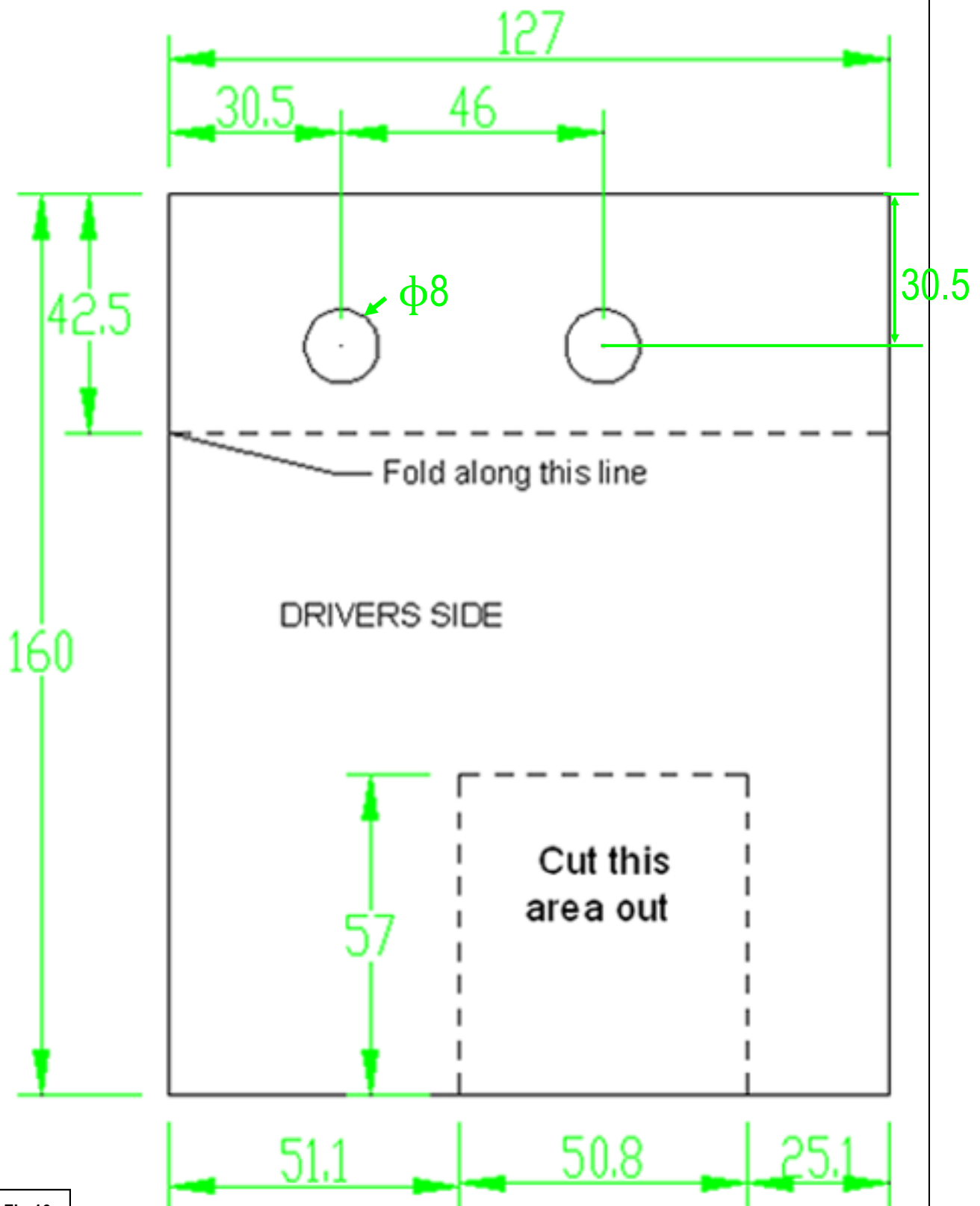


Fig 16

Customer Support: info@iboardauto.com

iBoard®

