

iBoard®



Scan for
Installation Video

iBoard® by APS

PART#: IB-123C&H

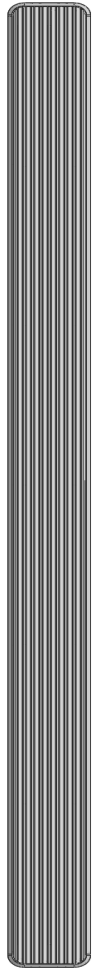
READ INSTRUCTIONS CAREFULLY BEFORE STARTING INSTALLATION. REMOVE CONTENTS FROM BOX AND VERIFY ALL PARTS ARE PRESENT. ASSISTANCE IS RECOMMENDED.

*ROCKER PANEL MOUNT
*NO DRILLING REQUIRED

Fastener Size	Tightening Torque (ft-lbs)	Required
6mm	6-7	X
8mm	16-18	√
10mm	31-32	√
12mm	56-58	X
14mm	92-94	X

PART LIST

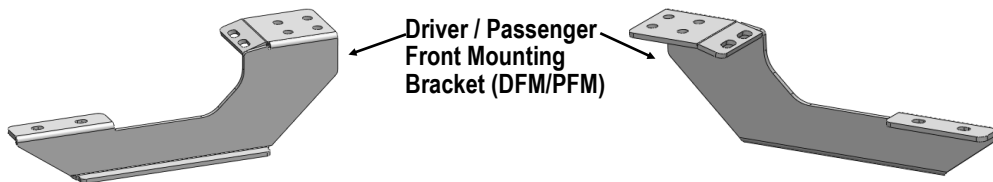
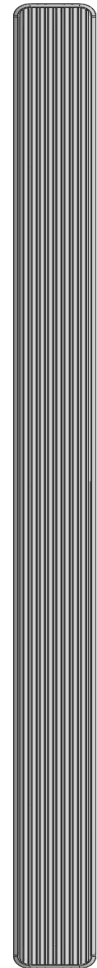
Driver Side Step Bar



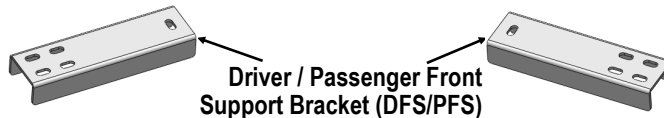
Front



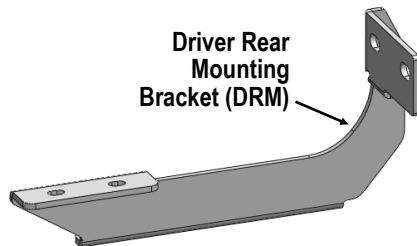
Passenger Side Step Bar



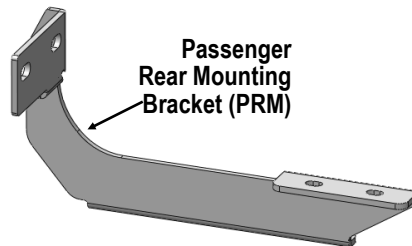
Driver / Passenger
Front Mounting
Bracket (DFM/PFM)



Driver / Passenger Front
Support Bracket (DFS/PFS)



Driver Rear
Mounting
Bracket (DRM)



Passenger
Rear Mounting
Bracket (PRM)

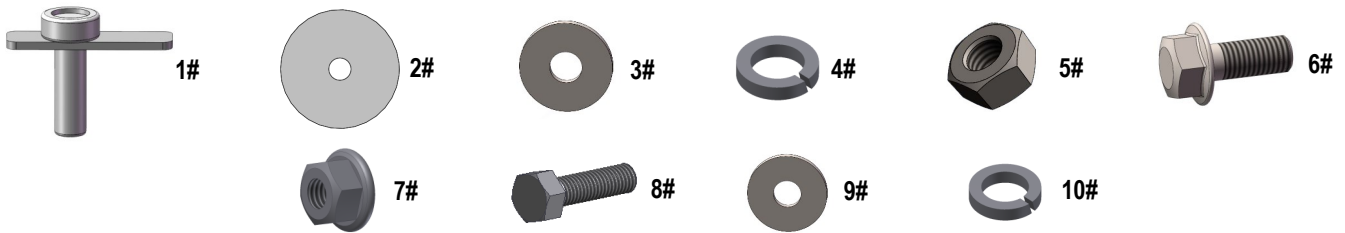
Customer Support: info@iboardauto.com



Scan for
Installation Video

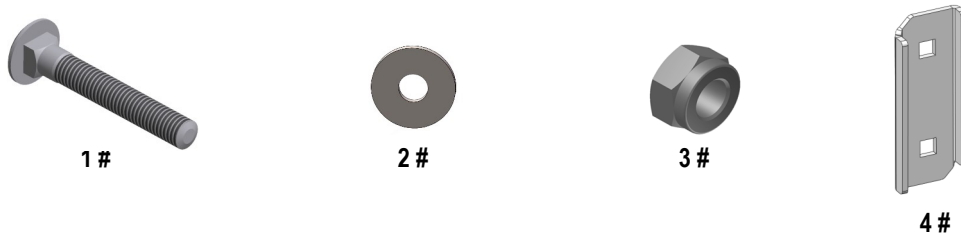
Hardware Package A (For Bracket Installation)

Item	QTY	Description	Item	QTY	Description
1#	4	M10X1.5-35mm Bolt Plates	6#	8	M8X1.25-20mm Hex Flange Bolts
2#	4	M10 Plastic Washers	7#	8	M8X1.25 Hex Flange Nuts
3#	4	M10 Flat Washers	8#	6	M8X1.25-30mm Hex Bolts
4#	4	M10 Lock Washers	9#	6	M8 Large Flat Washers
5#	4	M10X1.5 Hex Nuts	10#	6	M8 Lock Washers



Hardware Package B (For Stainless Steel Step Bar Installation)

Item	QTY	Description	Item	QTY	Description
1#	8	M8X1.25-35mm Carriage Bolts	3#	8	M8 Nylon Lock Nuts
2#	8	M8 Large Flat Washers	4#	4	Sliders (Packed with Step Bars)

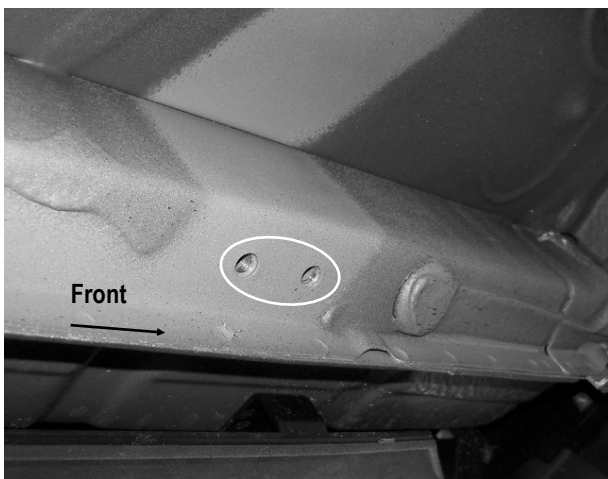




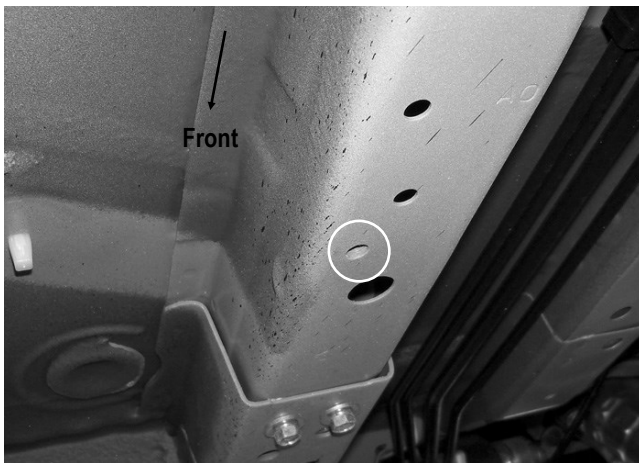
STEP 1

Starting from the driver side of the vehicle, locate the (2) factory threaded holes at the bottom of the outer frame channel and the single threaded hole at the bottom of the inner frame channel, (Fig 1A & 1B).

NOTE: The threaded holes may be covered with plastic plugs or covered in insulation. Remove plugs or insulation before proceeding.



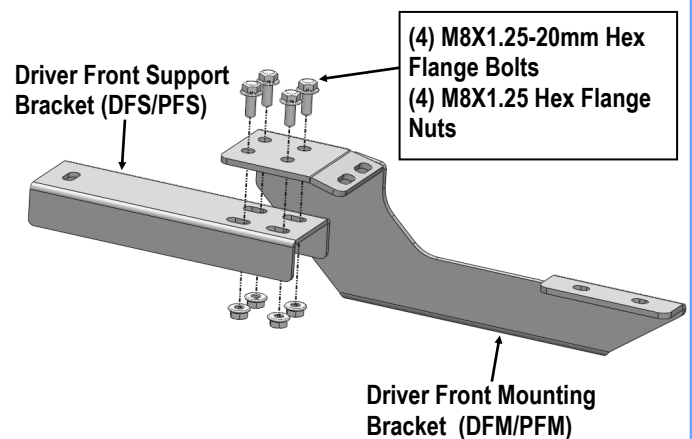
(Fig 1A) Driver Side Front Mounting Location



(Fig 1B) Driver Front Support Bracket Mounting Location

STEP 2

Assemble (1) Driver Front Mounting Bracket (DFM/PFM) and (1) Driver Front Support Bracket (DFS/PFS), (Fig 2) together with the included (4) M8X1.25-20mm Hex Flange Bolts and (4) M8X1.25 Hex Flange Nuts, (Fig 2). Do not fully tighten hardware at this time.

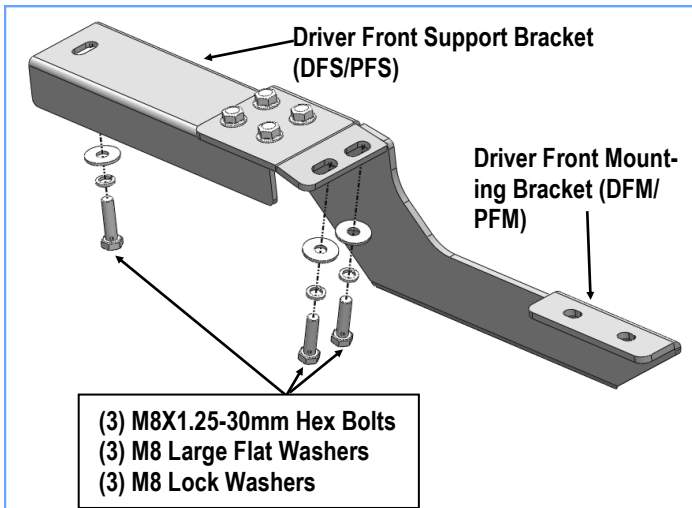


(Fig 2) Driver Side Front Brackets Assembly

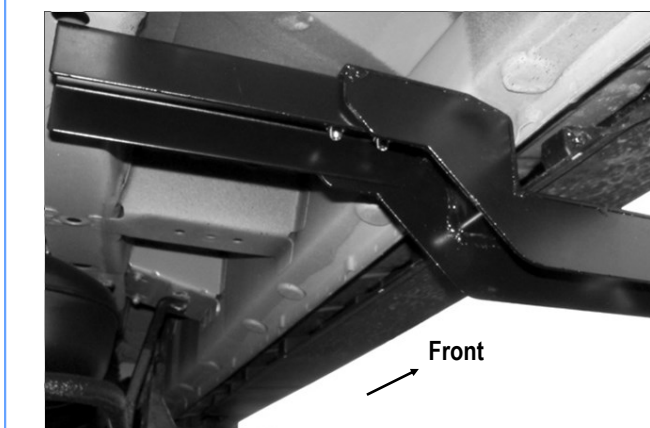
STEP 3

Position the assembled Driver Front Mounting Bracket and Driver Front Support Bracket up to the vehicle. Hang the assembled Bracket to the (2) threaded holes with (2) M8X1.25-30mm Hex Bolts, (2) M8 Lock Washers and (2) M8 Large Flat Washers, (Figs 3 & 4).

Line up the slot at the end of the Support Bracket with the threaded hole on the inner frame channel. Bolt the Support Bracket to the frame channel with (1) M8X1.25-30mm Hex Bolt, (1) M8 Lock Washer and (1) M8 Large Flat Washer, (Figs 3 & 4). Do not fully tighten hardware at this time.



(Fig 3) Driver Front Brackets Installation



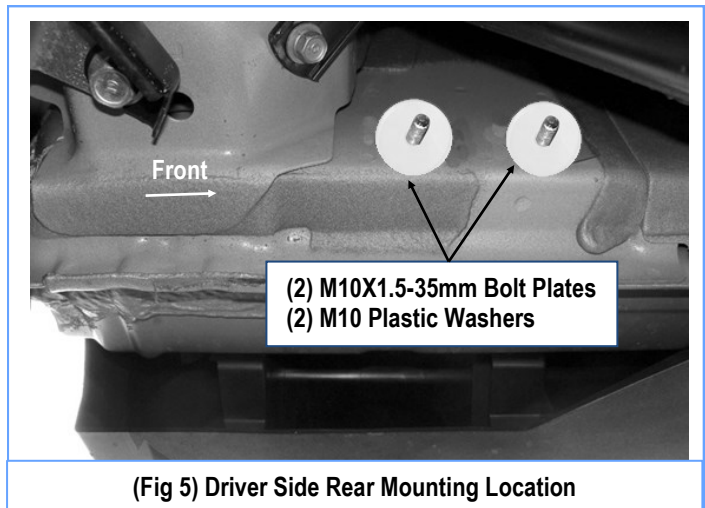
(Fig 4) Driver Front Brackets Installed

STEP 4

Move to the driver side rear of the vehicle, (Fig 5). Insert the (1) (1) M10X1.5-35mm Bolt Plate into the oval hole. And thread (1) M10 Plastic Washer on the welded bolt down against the body panel, (Fig 5). Rotate the M10 Bolt Plate 90-degrees to across the oval hole in the body panel.

Repeat this Step to install the second Bolt Plate in the other factory oval hole.

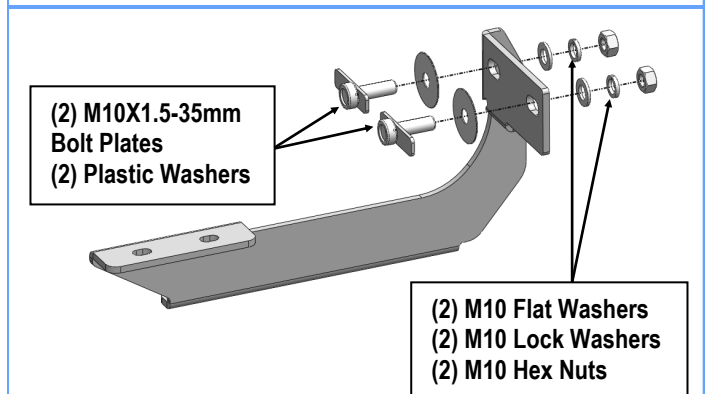
NOTE: The Plastic Washer is designed to prevent the M10 Bolt Plate from falling into the channel within the Bracket installation.



(Fig 5) Driver Side Rear Mounting Location

STEP 5

Attach (1) Driver Rear Mounting Bracket (DRM) to the installed (2) M10 Bolt Plates with (2) M10 Flat Washers, (2) M10 Lock Washers and (2) M10 Hex Nuts, (Fig 6). Do not fully tighten hardware at this time.



(Fig 6) Driver Rear Mounting Bracket Installation

STEP 6

Once all (2) Driver side mounting brackets are installed, then proceed to the Step Bar installation. (Figs 7 & 8)

- (1) Select (1) Slider and (2) M8X1.25-35mm Carriage Bolts;
- (2) Install (2) M8X1.25-35mm Carriage Bolts in (1) Slider.



- (3) Slide the Slider (with carriage bolts) to the **Step Bar**.
- (4) Repeat to install the other (1) slider to the step bar.
- (5) Attach the Step Bar (with the Sliders) onto the installed mounting brackets. Position the Sliders to the installed brackets. Secure the Step Bar to the installed Brackets by using (4) M8 Large Flat Washers and (4) M8 Nylon Lock Nuts and (2) Sliders, (**Fig 8**). Do not fully tighten hardware at this time.

Note: The Sliders are packed with the Step Bars.

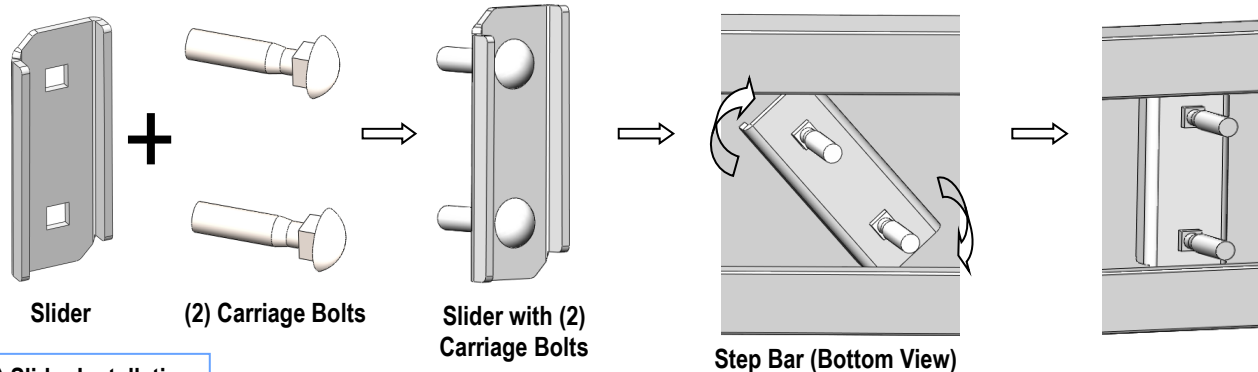
Level and adjust the Step Bar and fully tighten all hardware.

Repeat **Steps 1-6** for the other side Step Bar installation. **The installation is completed!!!**

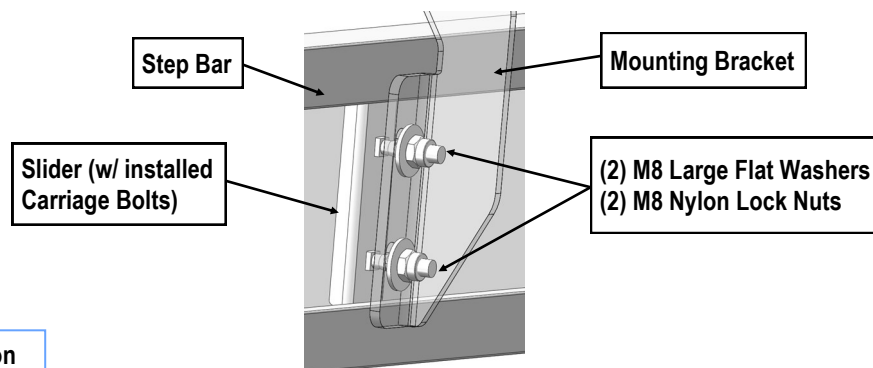
Attention

Do periodic inspections to the installation to make sure that all hardware is secure and tight.

In order to protect your bars/boards, please use mild soap/non-abrasive products for cleaning only.



(Fig 7) Slider Installation



(Fig 8) Step Bar Installation