

iBoard®

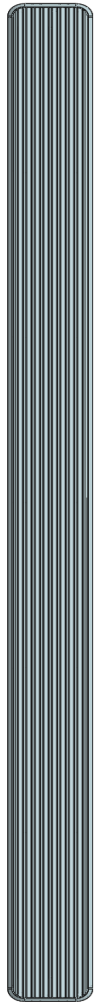
iBoard® by APS

PART#: IB-123

READ INSTRUCTIONS CAREFULLY BEFORE STARTING INSTALLATION. REMOVE CONTENTS FROM BOX AND VERIFY ALL PARTS ARE PRESENT. ASSISTANCE IS RECOMMENDED.

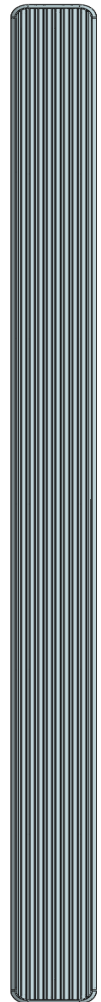
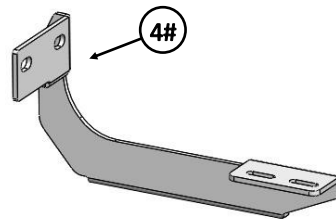
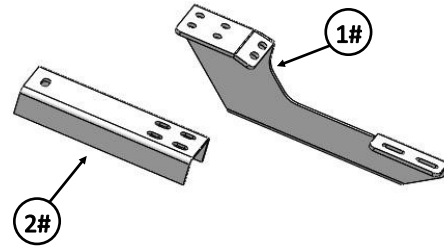
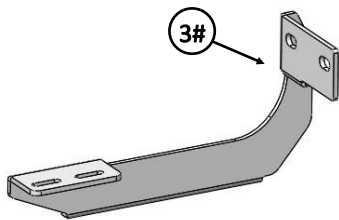
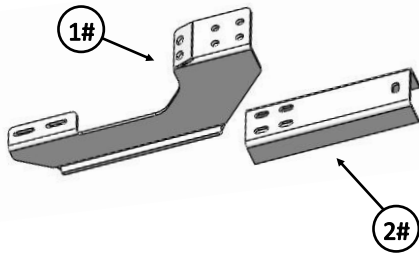
*ROCKER PANEL MOUNT
*NO DRILLING REQUIRED

Fastener Size	Tightening Torque (ft-lbs)	Required
6mm	6-7	√
8mm	16-18	√
10mm	31-32	√
12mm	56-58	X
14mm	92-94	X



Driver Side Step Bar

Front
↑

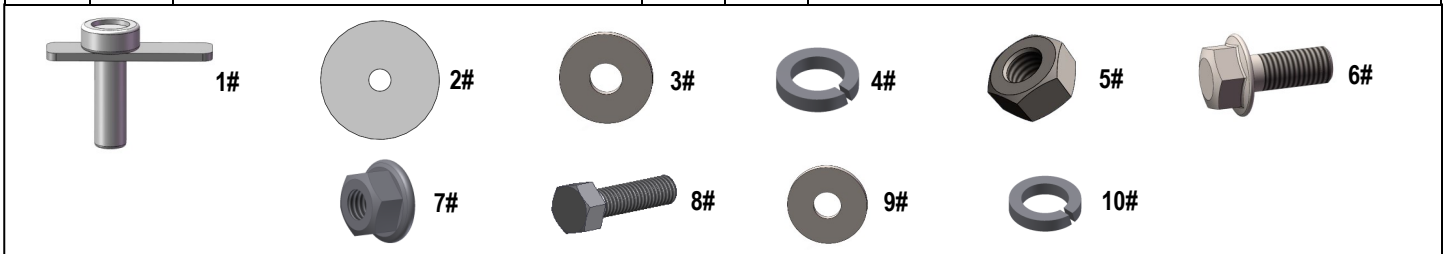


Passenger Side Step Bar

iBoard®

Mounting Bracket List					
Item	QTY	Description	Item	QTY	Description
1#	2	Driver / Passenger Front Mounting Brackets	3#	1	Driver Rear Mounting Bracket
2#	2	Driver / Passenger Front Support Brackets	4#	1	Passenger Rear Mounting Bracket

Hardware Package A (For Bracket Installation)					
Item	QTY	Description	Item	QTY	Description
1#	4	M10X1.5-35mm Bolt Plates	6#	8	M8X1.25-20mm Hex Flange Bolts
2#	4	Plastic Washers	7#	8	M8X1.25 Hex Flange Nuts
3#	4	M10 Flat Washers	8#	6	M8X1.25-30mm Hex Bolts
4#	4	M10 Lock Washers	9#	6	M8 Flat Washers
5#	4	M10X1.5 Hex Nuts	10#	6	M8 Lock Washers



Hardware Package B (For Aluminum Step Bar Installation Only, Not Supply to SS. Step Bar)					
Item	QTY	Description	Item	QTY	Description
1#	8	M6X1-20mm Square Head Bolts	3#	8	M6X1 Nylon Lock Nuts
2#	8	M6 Large Flat Washers			



Hardware Package C (For Stainless Steel Step Bar Installation Only, Not Supply to Aluminum Step Bar)					
Item	QTY	Description	Item	QTY	Description
1#	8	M6X1-20mm Hex Bolts	3#	8	M6 Flat Washers
2#	8	M6 Lock Washers			

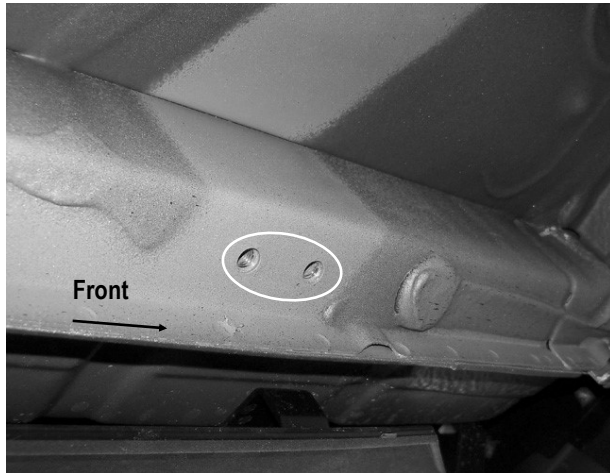


iBoard®

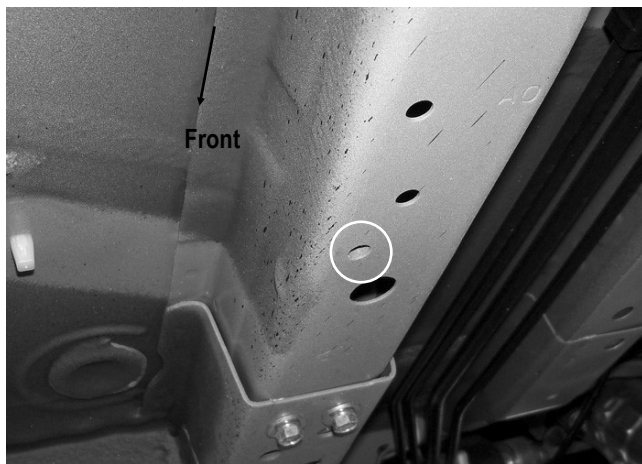
STEP 1

Starting from the driver side of the vehicle, locate the (2) factory threaded holes in the bottom of the outer frame channel and the single threaded hole in the bottom of the inner frame channel, (Fig 1A & 1B).

NOTE: The threaded holes may be filled with plastic plugs or covered in insulation. Remove plugs or insulation before proceeding.



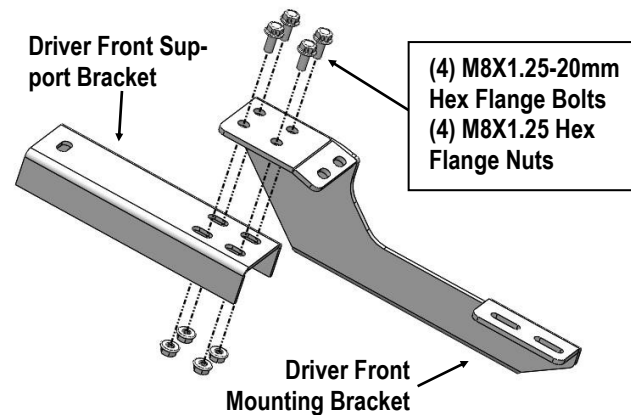
(Fig 1A) Driver Front Mounting Bracket Mounting Locations



(Fig 1B) Driver Front Support Bracket Mounting Locations

STEP 2

Select (1) Driver Front Mounting Bracket and (1) Driver Front Support Bracket, (Fig 2). Assemble the Support Bracket to the Mounting Bracket with the included (4) M8X1.25-20mm Hex Flange Bolts and (4) M8X1.25 Hex Flange Nuts, (Fig 2). Do not fully tighten hardware at this time.



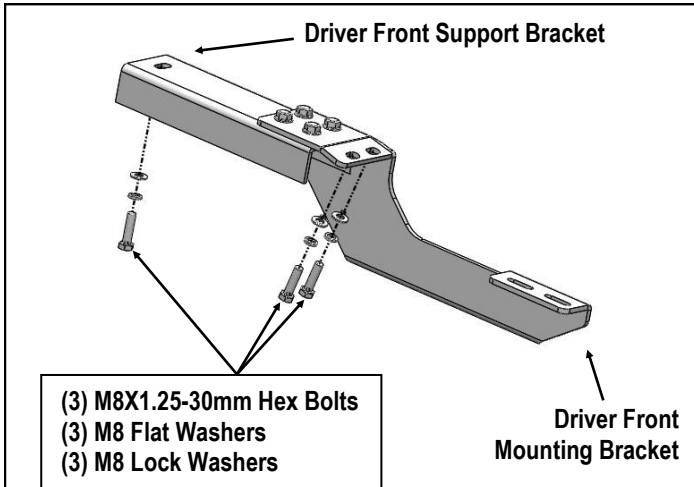
(Fig 2) Driver Side Front Brackets Assembly

STEP 3

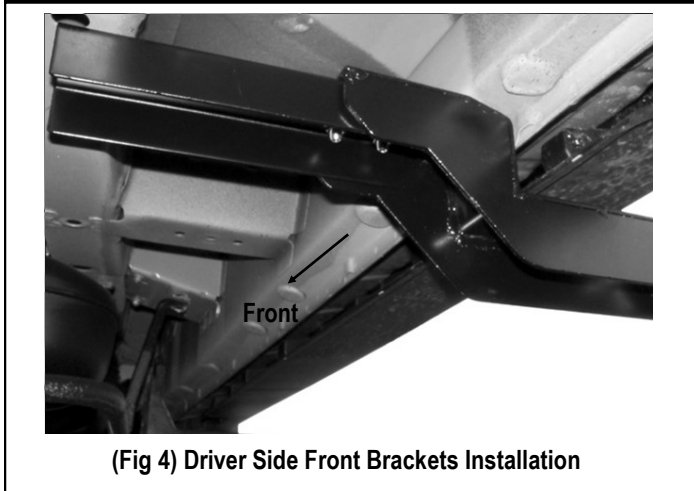
Position the Driver Front Mounting Bracket and Driver Front Support Bracket up to the vehicle. Hang the assembled Bracket to the (2) threaded holes using the provided (2) M8X1.25-30mm Hex Bolts, (2) M8 Lock Washers and (2) M8 Flat Washers, (Figs 3 & 4).

Line up the slot in the end of the Support Bracket with the threaded hole in the inner frame channel. Bolt the Support Bracket to the frame channel with (1) M8X1.25-30mm Hex Bolt, (1) M8 Lock Washer and (1) M8 Flat Washer, (Figs 3 & 4). Do not fully tighten hardware at this time.

iBoard®



(Fig 3) Driver Side Front Brackets Installation



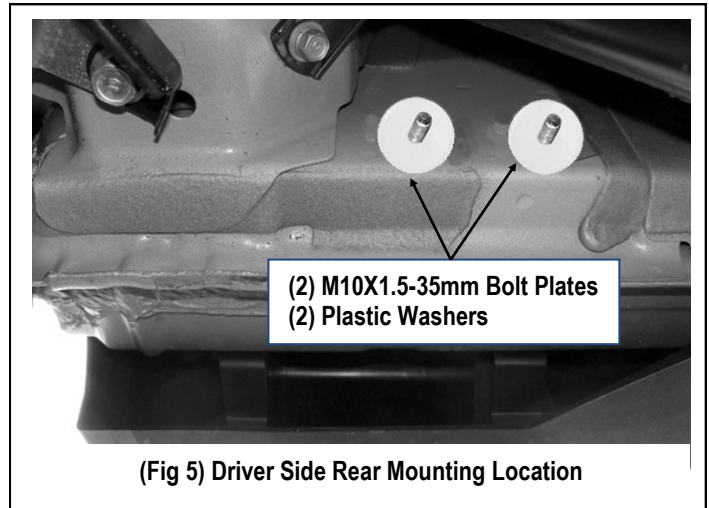
(Fig 4) Driver Side Front Brackets Installation

STEP 4

Move to the rear of the vehicle, (Fig 5). Thread (1) Plastic Washer onto (1) M10X1.5-35mm Bolt Plate. Insert the M10 Bolt Plate and Plastic Washer into the oval hole and thread the Plastic Washer down against the body panel, (Fig 5). Rotate the M10 Bolt Plate 90-degrees so that it is supported across the slot in the body panel.

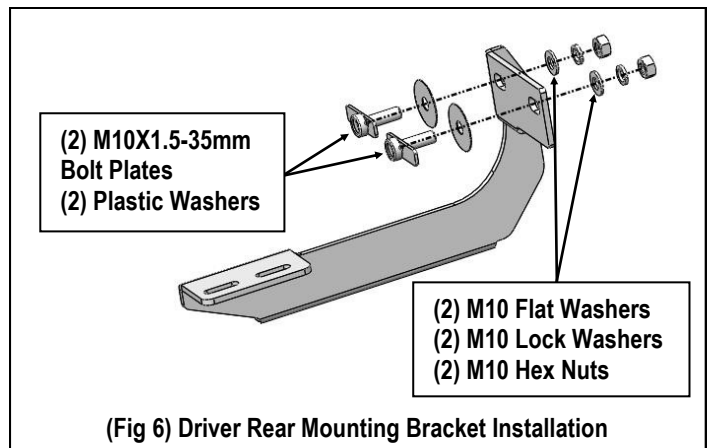
IMPORTANT: The Plastic Washer is designed to prevent the M10 Bolt Plate from falling into the body cavity and to aid in Bracket installation.

Repeat this Step to install the second Bolt Plate in the remaining factory oval hole.



STEP 5

Select (1) Driver Rear Mounting Bracket. Hang the Bracket from the (2) M10 Bolt Plates and secure with (2) M10 Flat Washers, (2) M10 Lock Washers and (2) M10 Hex Nuts, (Fig 6). Do not fully tighten hardware at this time.



STEP 6

Once all (2) mounting brackets are installed, then proceed to the Step Bar installation. According to the style of Step Bar proceed to the correct installation STEPS.

Note: Aluminum Step Bar refer to STEP 7; Stainless Steel Step Bar skip to STEP 8.

iBoard®

STEP 7

Aluminum Step Bar Installation:

Select a **Aluminum Step Bar**. Slip (2) M6x1-20mm Square Head Bolts into each bottom channel (**Fig 7**). Carefully position the Step Bar onto the (2) Mounting Brackets.

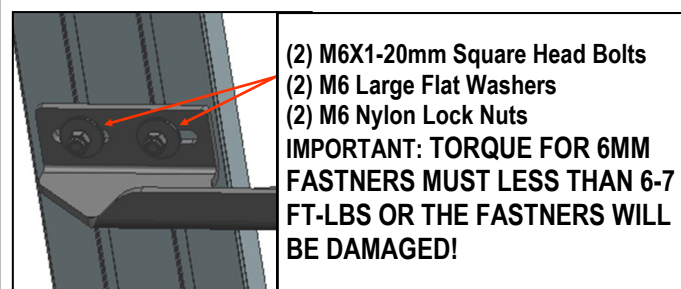
IMPORTANT: Do not slide the Step Bar on the Brackets or the bottom surface of the board will be damaged. Attach the Step Bar to each Mounting Brackets with (2) M6x1-20mm Square Head Bolts, (2) M6 Large Flat Washers and (2) M6x1 Nylon Lock Nuts, (**Fig 8**). Do not fully tighten at this time.

Level and adjust the Step Bar and fully tighten all hardware.

Repeat **Steps 1-7** for the other side Step Bar installation. **The installation is completed!!!**



(Fig 7) Slip M6X1-20mm Square Head Bolts Into The Bottom Channels



(Fig 8) Step Bar Installed Onto Mounting Bracket

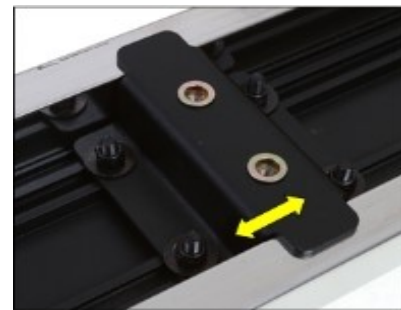
STEP 8

Stainless Steel Step Bar Installation:

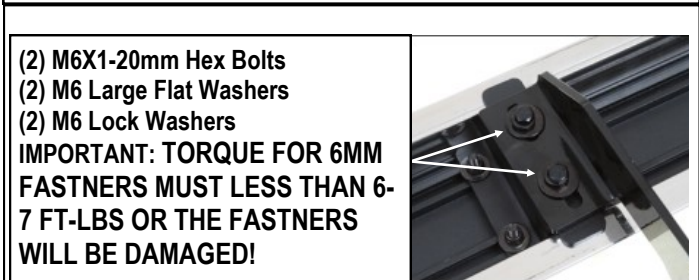
Select a **Stainless Steel Step Bar** (with the U-Sliders installed on the Bar). Loose the U-Sliders, reposition the U-Sliders onto the board according to the (2) Installed Mounting Brackets location, (**Fig 9**). Re-secure the U-Sliders on the Step Bar. Attach the Step Bar to the installed Mounting Brackets with (4) M6X1-20mm Hex Bolts, (4) M6 Large Flat Washers & (4) M6 Lock Washers, (**Fig 10**). Do not fully tighten hardware at this time.

Level and adjust the Step Bar and fully tighten all hardware.

Repeat **Steps 1-5 and 8** for the other side Step Bar installation. **The installation is completed!!!**



(Fig 9) Slide & line up the U-Slider with the installed mounting brackets along bottom channel



(Fig 10) Step Bar Installed on Bracket Installed

Attention

Do periodic inspections to the installation to make sure that all hardware is secure and tight. In order to protect your bars/boards, please use only mild soap/non-abrasive products for cleaning.